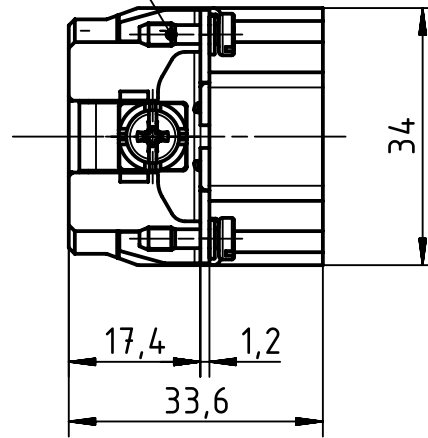
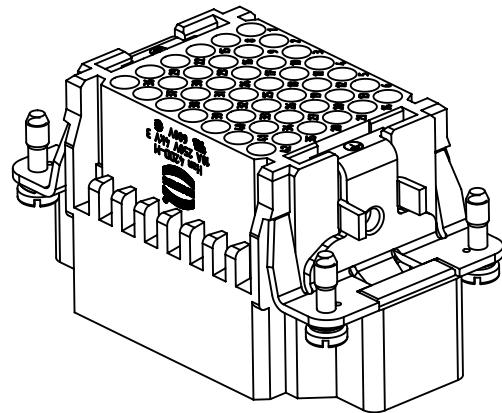
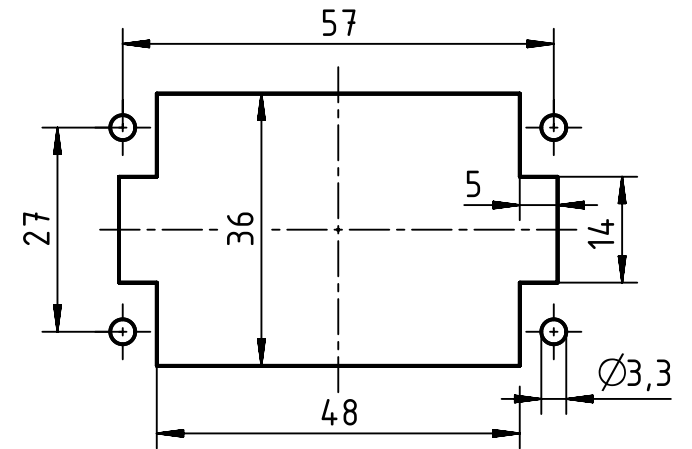


M3x10



panel cut out



	All Dimensions in mm Original Size DIN A4		Scale 1:1	Free size tol.		Ref.	
						Sub.	
	All rights reserved		Created by MATAU	Inspected by PRIESTER	Standardisation TIEMANNA	Date 2016-04-04	State Final Release
	Department EL PD - DE		Title Han 42DD-STI-C			Doc-Key / ECM-Nr. 100216579/UGD/003/B 500000098280	
HARTING Electric GmbH & Co. KG D-32339 Espelkamp			Type TB	Number 09 16 042 3001		Rev. B	Page 1/1

Mouser Electronics

Authorized Distributor

Click to View Pricing, Inventory, Delivery & Lifecycle Information:

[HARTING:](#)

[09160423001](#)