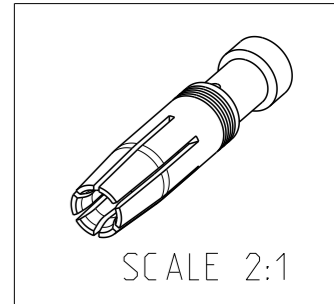
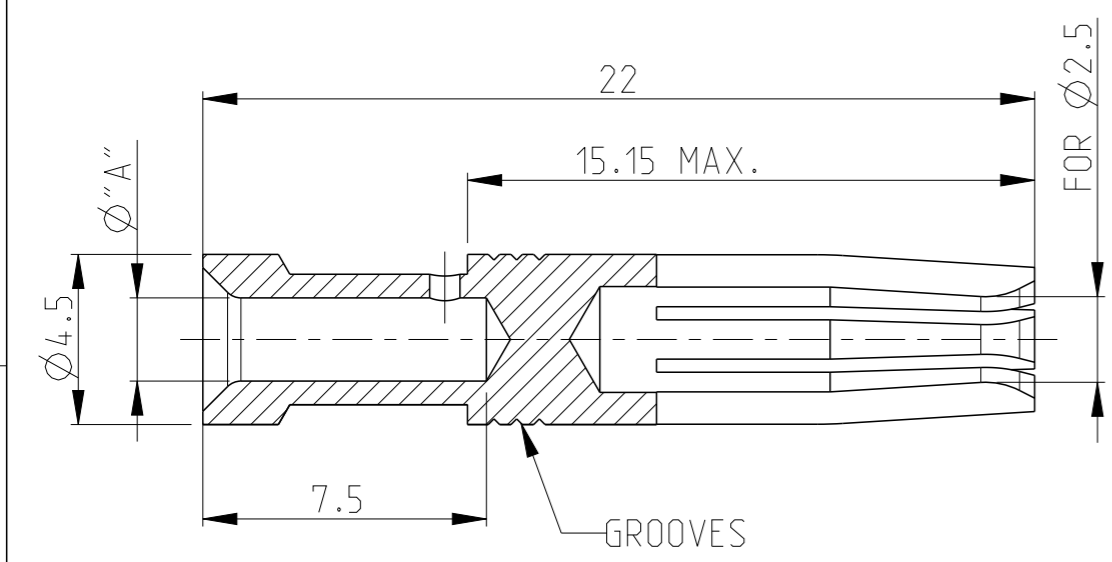


THIS DRAWING IS UNPUBLISHED. RELEASED FOR PUBLICATION 2006
 © COPYRIGHT 2006 BY - ALL RIGHTS RESERVED.

LOC	DIST	REVISIONS					
A1	-	P	LTR	DESCRIPTION	DATE	DWN	APVD
			J4	REVISED PER ECO-11-005030	24MAR2011	RK	HMR
			J5	ECR-15-003938	26MAR2015	RK	MKO
			J6	ECR-16-016696	15SEP2017	GA	MKO



- Notes
- 1 MATERIAL: BRASS
 - 2 FINISH SILVER PLATING: 2 µm Ag MIN. OVER Cu
 - 3 FINISH GOLD PLATING: 0.75 µm Au MIN. OVER Ni
 - 4 FINISH TIN PLATING: 0.6 µm Sn. MIN. OVER Cu
 - 5 VENTILATION HOLE PRESENT ON ALL PARTS
 - 6 WEIGHT: 0.00160 kg, PER PIECE (APPROX.)
 - 7 PACKAGING: 50 PIECES IN POLYBAG
 - 8 PACKAGING: 500 PIECES IN POLYBAG & CARTON
 - 9 PACKAGING: 20000 PIECES IN POLYBAGS & CARTONS
 - 10 SUITABLE PIN CONTACT: PN 1105100
 - 11 SUITABLE INSERTS: SERIES HA, HE, HVE, HVS
 - 12 SUITABLE CRIMP TOOL: PN 1-1105851-8
 - 13 SUITABLE INSERTION TOOL: PN 0-1102855-6
 - 14 SUITABLE EXTRACTION TOOL: PN 0-1102855-7
 - 15 STANDARDS: DIN EN 61984, DIN EN 60664-1
 - 16 OBSOLETE

HE/HA-C-Bu.Sn	Cross Section	DIMS	NO. OF GROOVES	PACKAGING UNIT		
				P.U.=50 BAG	P.U.=500 BOX	P.U.=20000 BOX
4,0mm ²	TIN 4	4.0	2.8	-	-	5-3
2,5mm ²	TIN 4	2.5	2.2	3	-	4-3
1,5mm ²	TIN 4	1.5	1.7	2	-	3-3
4,0mm ²	GOLD 3	4.0	2.8	-	5-2	-
2,5mm ²		2.5	2.2	3	4-2	-
1,5mm ²		1.5	1.7	2	3-2	-
0,75-1,0mm ²	GOLD 3	0.75-1.0	1.4	1	2-2	-
0,5mm ²		0.5	1.1	-	1-2	-
0,14-0,37mm ²		0.14-0.37	0.9	3	6-2	-
4,0mm ²	SILVER 2	4.0	2.8	-	5-1	-
2,5mm ²		2.5	2.2	3	4-1	-
1,5mm ²		1.5	1.7	2	3-1	-
0,75-1,0mm ²	SILVER 2	0.75-1.0	1.4	1	2-1	-
0,5mm ²		0.5	1.1	-	1-1	-
0,14-0,37mm ²		0.14-0.37	0.9	3	6-1	-
		[MM ²]	"A"	MARKINGS	PARTS LIST	
ORDERING TEXT	PLATING	CROSS SECTION	DIMS	NO. OF GROOVES	P.U.=50 BAG	P.U.=500 BOX

THIS DRAWING IS A CONTROLLED DOCUMENT.		DWN G.WROBLEWSKI 20SEP2007	TE Connectivity		
		CHK H.BRAUN 20SEP2007			
DIMENSIONS: mm 		APVD T. SCHNURPFIL 20SEP2007	NAME		
TOLERANCES UNLESS OTHERWISE SPECIFIED: ISO 8075 DIN ISO 2768 mH-E DIN 16901-120 0 PLC ± 1 PLC ± 2 PLC ± 3 PLC ± 4 PLC ± ANGLES ±		PRODUCT SPEC 108-74004	SOCKET CONTACT SERIES HA, HE, HVE		
MATERIAL 1		APPLICATION SPEC 114-74003	SIZE A3	CAGE CODE 00779	DRAWING NO C=1105101
FINISH 2 3 4		WEIGHT -	RESTRICTED TO -		
		Customer Drawing	SCALE 5:1	SHEET 1 OF 1	REV J6

Mouser Electronics

Authorized Distributor

Click to View Pricing, Inventory, Delivery & Lifecycle Information:

[TE Connectivity:](#)

[5-1105101-1](#)