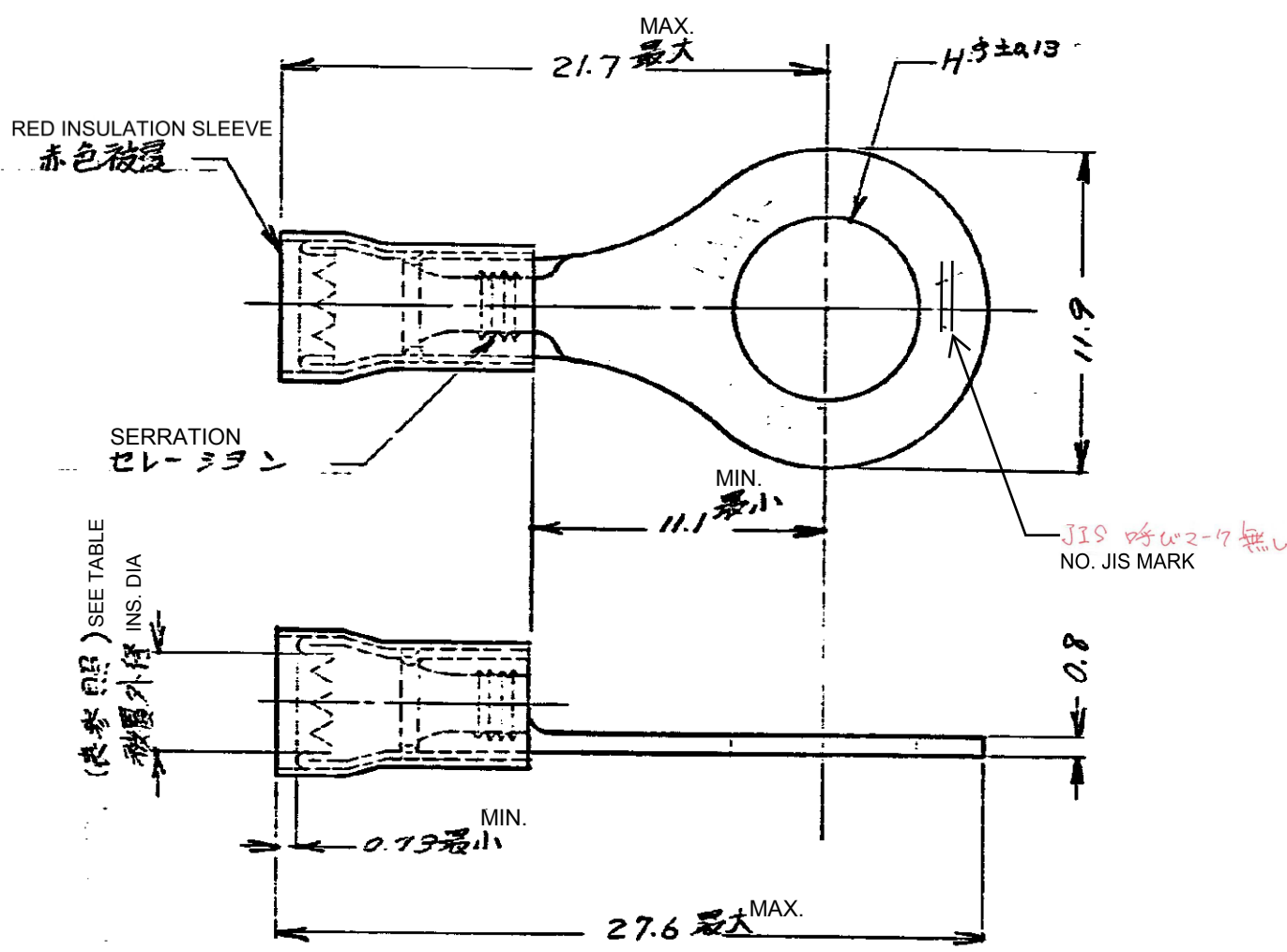


C-171507



PARTS NUMBER	STUD	H DIMENSION	INS. DIA
171507-1	1/4	6.73	2.03 ~ 3.18
↓	5/16	8.33	2.03 ~ 3.18
OBSOLETE	↓	1/4	6.73
OBSOLETE	171507-4	5/16	8.33
			2.66 ~ 3.36

DIMENSIONS IN MM DO NOT SCALE

G	OBSOLETE	Y.O	N.Y	14APR17				
F	Change Applicable Body	Y.O	N.Y	23JAN17	H	REVISED PER ECR-17-017886	E.T	N.Y 08DEC17
E	REVISED (REV-D) <i>P-DWG</i>	X.Y	N.Y	4/2/18	<small>© 1975 BY AMP CORP. ALL RIGHTS RESERVED. AMP PRODUCTS COVERED BY PATENTS AND/OR PATENTS PENDING.</small>			<small>お客様ご用命</small> <small>(CUSTOMER COPY REFERENCE ONLY)</small>
D	REVISED (REV-C) <i>P-DWG</i>	S.O	N.Y	11/17	<small>MATERIAL COPPER</small> <i>銅</i>			
C	ADDED MARK	H.S	N.Y	3/15	<small>TIN PLATING</small> <i>鍍金</i>			
B	REVISED (REV-B) <i>P-DWG</i>	N.S	N.Y	7/15	<small>WIRE RANGE</small> <i>0.26~1.04</i>			
A	REVISED (REV-A) <i>P-DWG</i>	H.S	N.Y	12/1	<small>CLASS</small> <i>4</i>			
C	<i>31092-21-31925</i>				<small>SIZE</small> <i>4-1</i>			
4	REVISION RECORD:	DR	CHK	DATE	<small>TOLERANCE EXCEPT AS NOTED</small>			C-171507 H
<i>Handwritten notes and signatures</i>					丸型 端 WIRE TERMINAL ASSEMBLY			

Mouser Electronics

Authorized Distributor

Click to View Pricing, Inventory, Delivery & Lifecycle Information:

[TE Connectivity:](#)

[171507-2](#)