

4

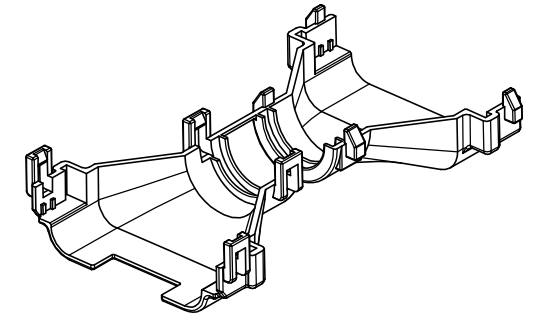
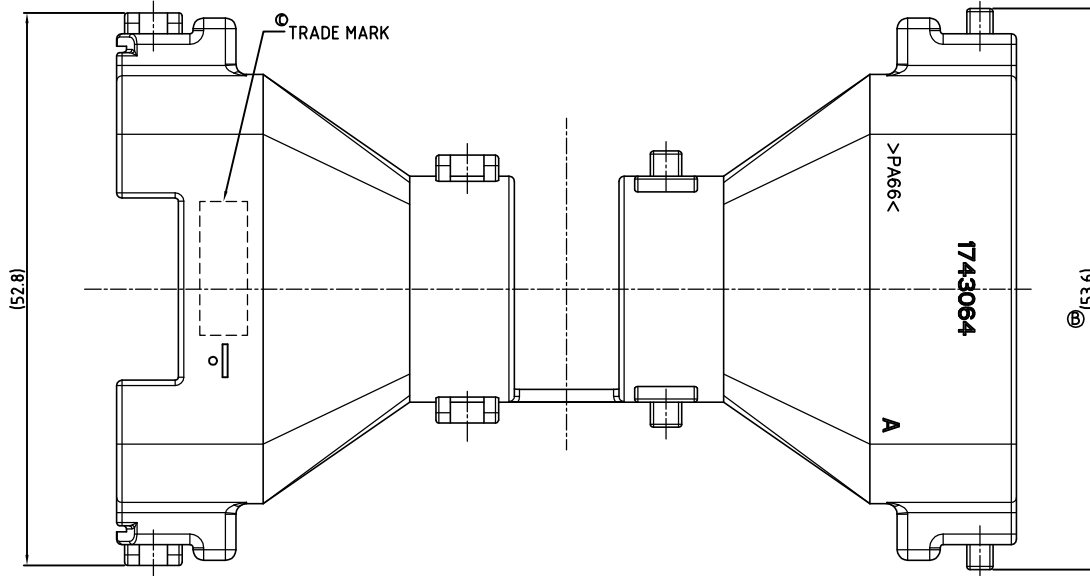
3

2

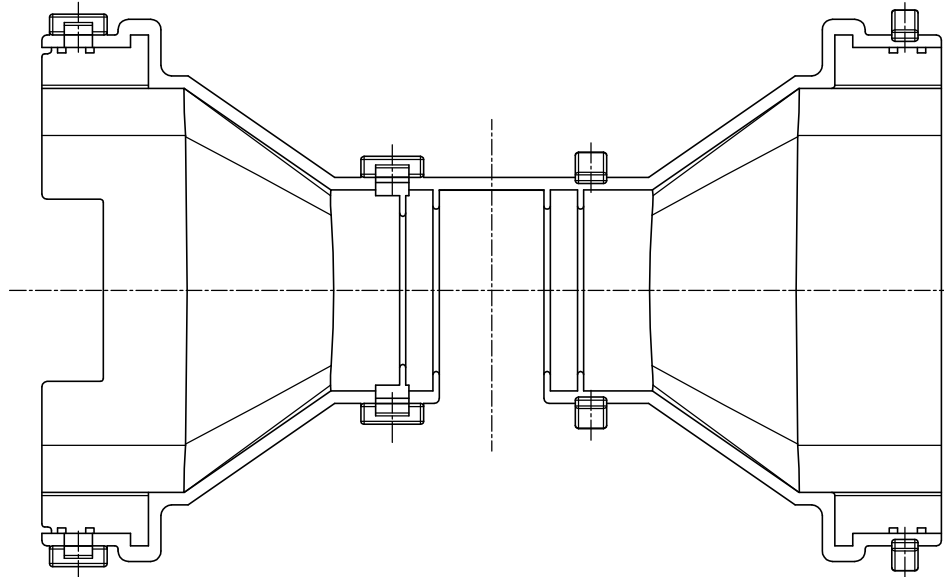
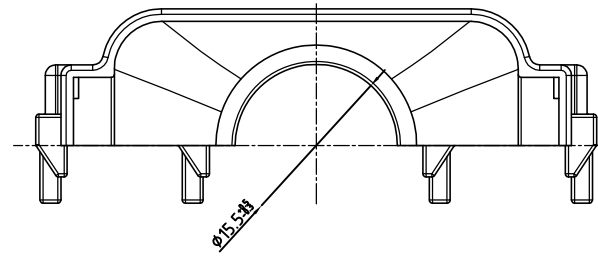
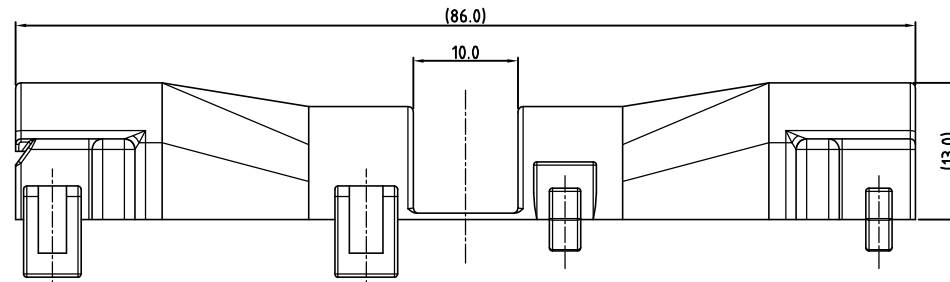
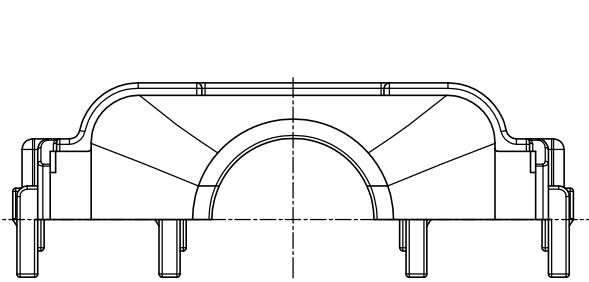
1

THIS DRAWING IS UNPUBLISHED. RELEASED FOR PUBLICATION
COPYRIGHT BY TYCO ELECTRONICS CORPORATION. ALL RIGHTS RESERVED.

LOC		DIST		REVISIONS			
DS	—	P	LTR	DESCRIPTION	DATE	DWN	APVD
		A		REVISED (ECR-06-001996)	25/JAN/06	IS	JK
		B		REVISED (ECR-06-027317)	29/JAN/07	SW	JK
		C		REVISED (ECR-10-020545)	03/DEC/10	SJ	HG



3D-VIEW
SCALE 1/1



NOTES:

- 1. WARP IS 0.5 MAX. AND FLASH IS 0.3 MAX.
- 2. APPLICABLE CONNECTOR : X-1743059-X
- 3. APPLICABLE CORRUGATOR DIAMETER : $\phi 14.0$

control priority dimension;
 CRITICAL, MAJOR, MINOR
THIS DRAWING IS A CONTROLLED DOCUMENT FOR TYCO ELECTRONICS CORPORATION. IT IS SUBJECT TO CHANGE AND THE CONTROLLING ENGINEERING ORGANIZATION SHOULD BE CONTACTED FOR THE LATEST REVISION.

DIMENSIONS: MM	TOLERANCES UNLESS OTHERWISE SPECIFIED: DECIMALS: ± 0.3 ANGLES: $\pm 3^\circ$
3rd ANGLE PROJECTION	
MATERIAL SEE TABLE	FINISH -

BLACK	PA66	PLUG COVER	0-1743064-3
BLACK	PA66	PLUG COVER	0-1743064-2
COLOR	MATERIAL	DESCRIPTION	P/N
DWN SJ CHOI		Tyco Electronics Tyco Electronics kyungsan, korea	
CHK JW JUNG		NAME COVER FOR MTII/JPT SLD 36P PLUG ASS'Y	
APVD HG CHO		PRODUCT SPEC -	
APPLICATION SPEC -		RESTRICTED TO -	
WEIGHT -	SIZE A2	CAGE CODE 00779	DRAWING NO 1743064
CUSTOMER DRAWING		SCALE 2/1	SHEET 1 OF 1
		REV C	

Mouser Electronics

Authorized Distributor

Click to View Pricing, Inventory, Delivery & Lifecycle Information:

[TE Connectivity:](#)

[1743064-2](#)