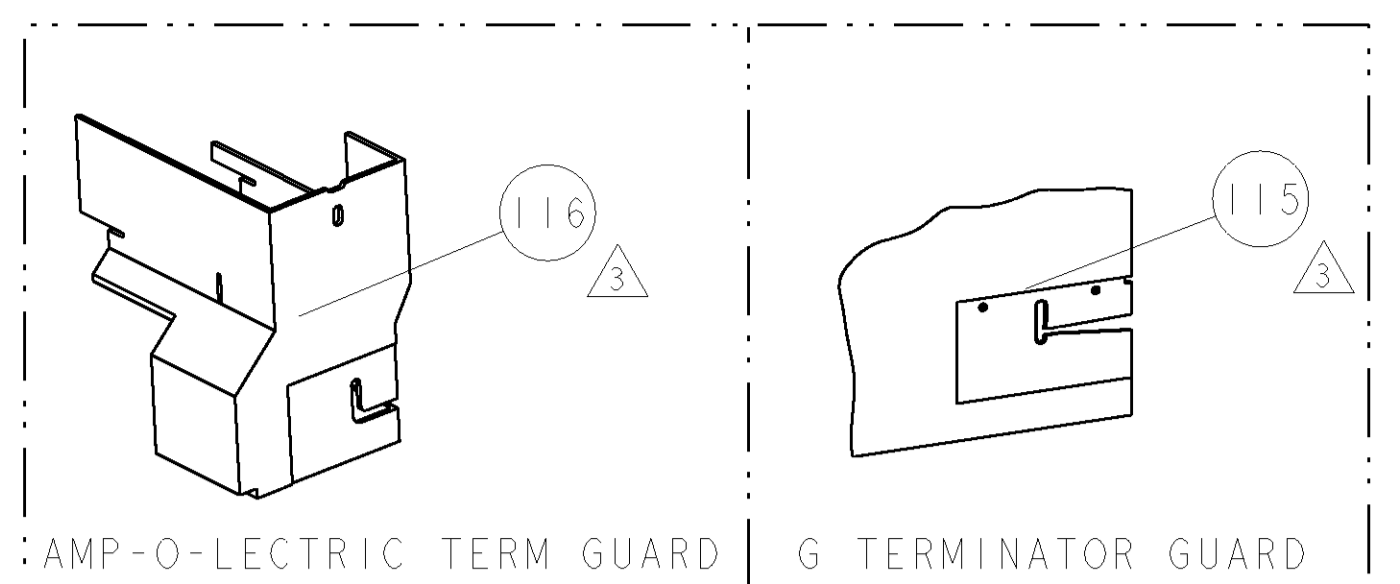


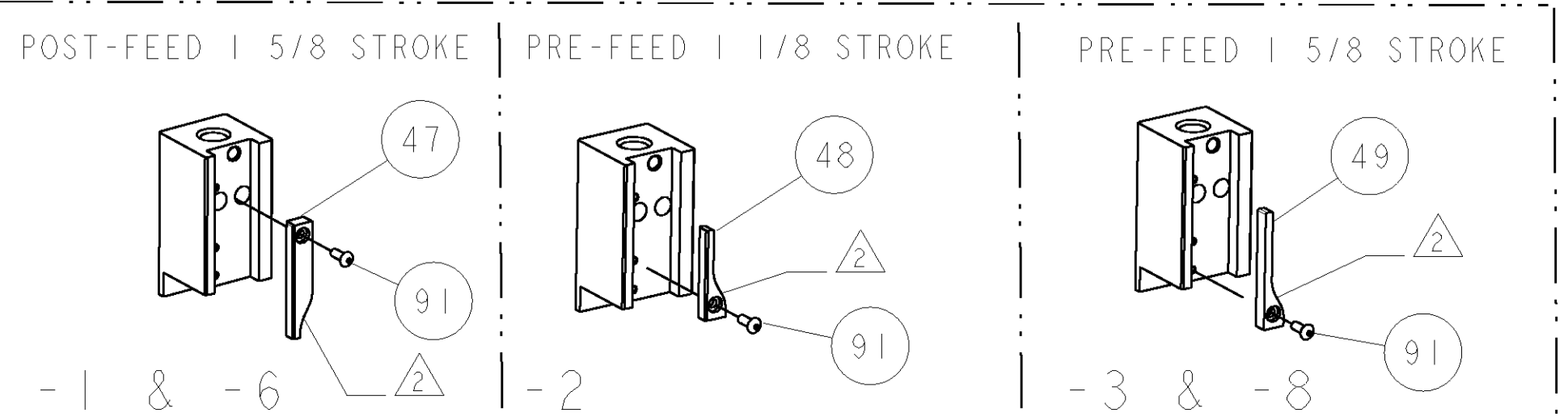
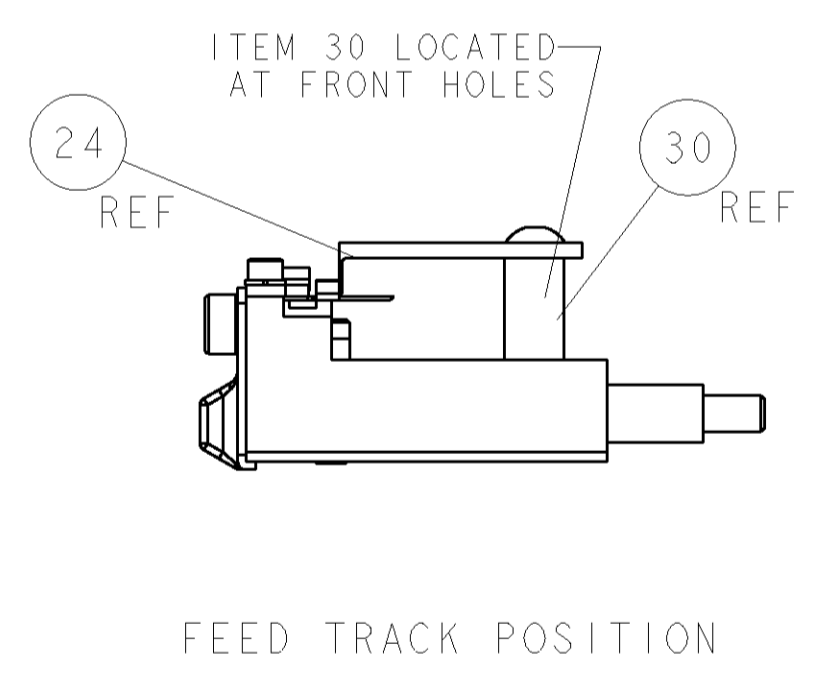
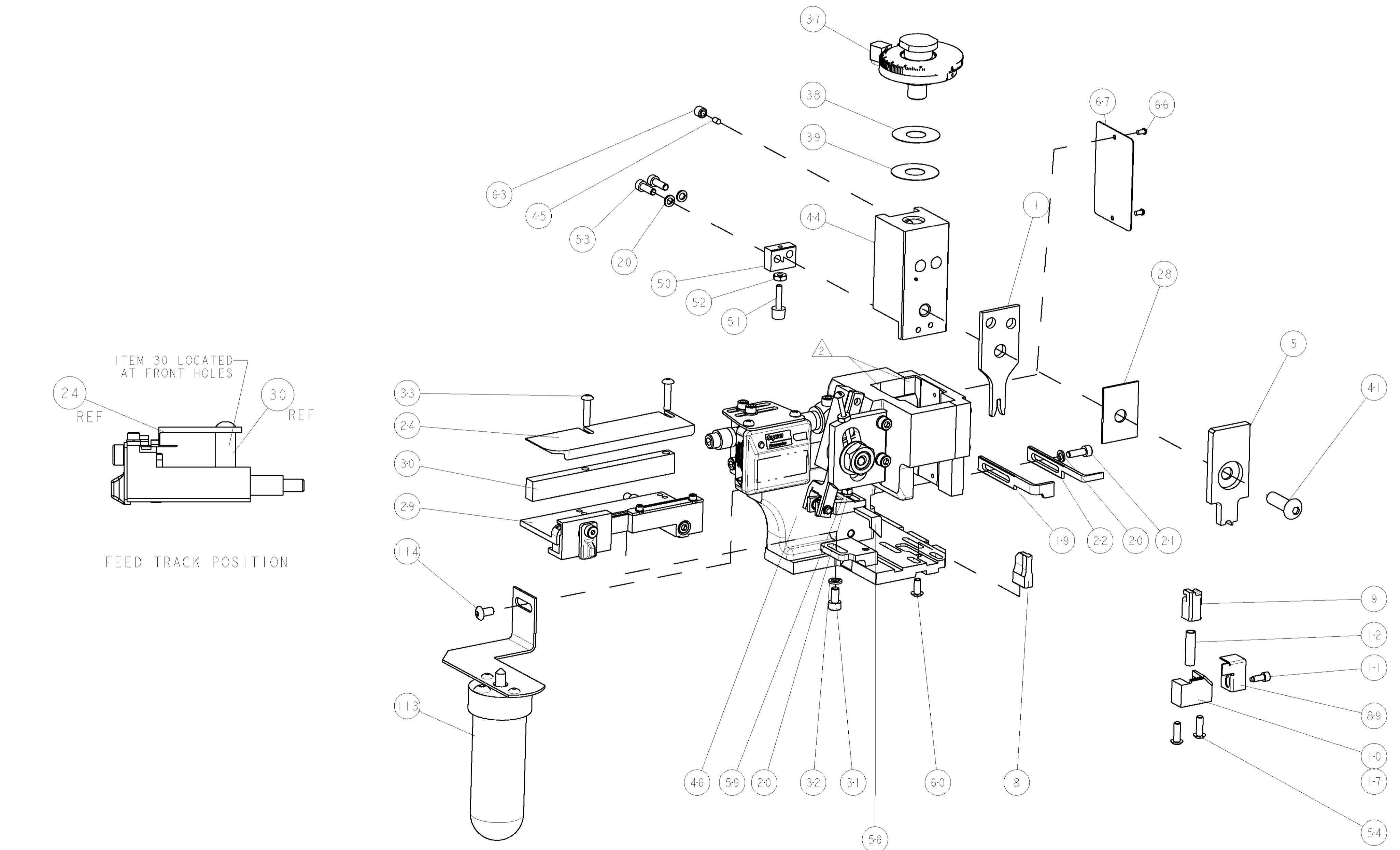
PART NUMBER	REV	FIRST USED	POWER UNIT	FEED TYPE	DESCRIPTION
1855105-1	A	122500-1	LEADMAKER	POST FEED	CUTS CARRIER
1855105-2	A	565435-5	BENCH MODEL K	PRE FEED	CUTS CARRIER
1855105-3	A	354500-1	BENCH MODEL G	PRE FEED	CUTS CARRIER
1855105-6	A	122500-1	LEADMAKER	POST FEED	CONTINUOUS CARRIER
1855105-8	A	122500-1	LEADMAKER	PRE FEED	CONTINUOUS CARRIER
7-1855105-7	A	-	-	-	SPARE PARTS



TERMINAL NAME: MAG-MATE POKE-IN TAB TERMINALS				
62897	-	-	-	AMP TERMINAL - AMP CRIMP SPECS
-	-	REF	CRIMP HEIGHT	WIRE SIZE
-	-	C0	.062±.002[1.57±0.05mm]	18 AWG
-	-	C7	.058±.002[1.47±0.05mm]	20 AWG
-	-	D5	.054±.002[1.37±0.05mm]	22 AWG
-	-	-	-	-
-	-	CRIMP	SIZE	TYPE
-	-	WIRE	.090 [2.29mm]	F
-	-	INSUL	-	-
WIRE STRIP LENGTH	TERM APPL SPEC	FEED	APPL INSTRUCTIONS	SET UP GAGE
.143 - .158	114-2050	.360	408-8040	458637-1

LOC	DIST	P	LTR	DESCRIPTION	DATE	DRN	APPR
A	66	A		RELEASED	25MAY2006	ROW	GB

- ① RECOMMENDED SPARE PARTS
- ② GREASE LIGHTLY
- ③ GUARD MUST BE IN PLACE WHEN OPERATING APPLICATOR IN A BENCH MACHINE



*** WARNING:**
ON INSTALLATION SET WIRE DISC TO LARGEST WIRE SIZE SETTING. USE OF SETTINGS BELOW MIN REQUIRED CRIMP HEIGHT SETTING WILL CAUSE DAMAGE TO CRIMP TOOLING.

QTY	REF	PART NO	DESCRIPTION	ITEM NO
-	-	455749-1	GUARD WINDOW	116
-	-	679532-1	INSERT, GUARD	115
-	-	2-21002-6	SCR, BTN SKT HD CAP 10-32 X .375	114
-	-	1-465184-0	LUBRICATOR ASSY	113
-	-	1-21002-7	SCR, BTN SKT HD CAP 6-32 X .375	91
-	-	318563-1	GUARD, FRONT CHIP	89
-	-	4088040	SF APPL INST 408-8040	72
-	-	217238-1	GENERAL INSTRUCTION PKG	71
-	-	461264-5	PLATE, IDENTIFICATION	67
-	-	21017-2	SCREW, DRIVE	66
-	-	21009-2	SCR, SET, SELF LOCKING 1/4-20 X .250	63
-	-	22733-8	SCR, BHSC, SELF-LOCKING, 8-32 X .375	60
-	-	2-22603-0	SCR, HEX HD CAP 8-32 X .312	59
-	-	458537-2	PAWL, FEED	56
-	-	2-21002-2	SCR, BTN SKT HD CAP 8-32 X .500	54
-	-	2-21000-7	SCR, SKT HD CAP 8-32 X .500	53
-	-	21018-5	NUT, HEX, REG 6-32	52
-	-	811242-2	BUMPER, HOLD DOWN	51
-	-	690753-1	SPACER, TONKER	50
-	-	690602-6	CAM, PRE FEED, 1 5/8	49
-	-	690602-5	CAM, PRE FEED, 1 1/8	48
-	-	690501-4	CAM, POST FEED, 1 5/8	47
-	-	459456-1	APPL. BASIC SUB ASSY (SIDE WISE MOCA)	46
-	-	690191-1	PLUG, NYLON	45
-	-	455673-1	RAM, SIDE FEED	44
-	-	7-21002-9	SCR, BTN SKT HD CAP 5/16-24 X 1.00	41
-	-	690125-1	SHIM SUB-ASSY	39
-	-	469367-1	SHIM	38
-	-	879103-4	FINE ADJUST HEAD SUBASSY	37
-	-	2-21002-4	SCR, BTN SKT HD CAP 8-32 X .750	33
-	-	21024-5	WASHER, SPRG LOCK, REG NO 10	32
-	-	3-21000-4	SCR, SKT HD CAP 10-32 X .375	31
-	-	1320908-2	SPACER, STRIP GUIDE	30
-	-	1633091-1	ASSEMBLY, STRIP GUIDE	29
-	-	1-455888-0	SPACER, CRIMPER	28
-	-	1320928-2	PLATE, STRIP GUIDE	24
-	-	690472-6	STRIPPER	22
-	-	2-21000-7	SCR, SKT HD CAP 8-32 X .500	21
-	-	21024-4	WASHER, SPRG LOCK, REG NO 8	20
-	-	683369-1	STRIPPER	19
-	-	679625-1	SHEAR HOLDER, FRONT (NO CUT)	17
-	-	3-22280-3	SPRING, COMPRESSION	12
-	-	690461-1	STOP, SHEAR	11
-	-	690459-1	SHEAR HOLDER, FRONT	10
-	-	454276-1	FLOATING SHEAR, FRONT	9
-	-	4-690512-8	ANVIL, COMBINATION	8
-	-	1-455889-4	DEPRESSOR, SHEAR	5
-	-	3-456406-0	CRIMPER, WIRE PREMIUM	1

DIMENSIONS: INCHES 		TOLERANCES UNLESS OTHERWISE SPECIFIED: 0 PLC ±.01 1 PLC ±0.01 2 PLC ±0.01 3 PLC ±0.001 4 PLC ±0.001 ANGLES ±.001	
MATERIAL		FINISH	
WEIGHT		SCALE 3:5	
CUSTOMER DRAWING		SHEET 1 OF 1	

CUSTOMER VIEWABLE ASSEMBLY

Mouser Electronics

Authorized Distributor

Click to View Pricing, Inventory, Delivery & Lifecycle Information:

[TE Connectivity:](#)

[1855105-2](#)