

Starting/running torque 8 mNm 0.42 Watts Part number 82330582



- Constant speed dependent on supply frequency
- Direction of rotation controlled by long-life mechanical anti-return
- Permanent magnet rotor with 5 pole pairs
- Toughened shaft turning on two moulded polyamide bearings
- UL, CSA (class B) - VDE approved

Part numbers

| | Type | Type | Direction of rotation | Voltage / Frequency |
|----------|------------|----------|-----------------------|---------------------|
| 82330582 | 0.42 Watts | 82 330 5 | Clockwise | 230 V - 50 Hz |

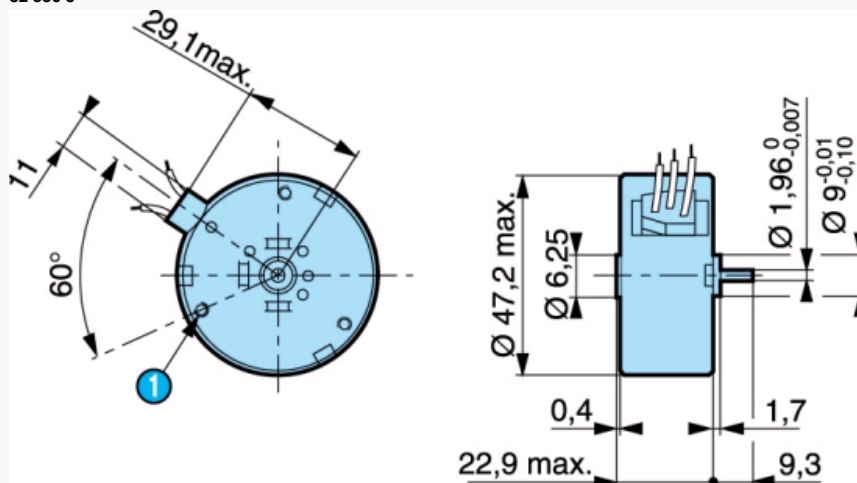
Specifications

General characteristics

| | |
|--|----------------------|
| Base speed of motor (50 Hz) (rpm) | 600 |
| Absorbed power (W) | 3,5 |
| Usable Power (W) | 0,42 |
| Starting/running torque (mNm) | 8 |
| Stall torque (mNm) | 12 |
| Temperature rise (°C) | 55 |
| Ambient temperature (°C) | -5 → +60 |
| Maximum inertial load that can be moved (g.cm ²) | 11 |
| Number of offload starts 10 ⁶ | 10 |
| Max. reverse rotation angle (°) | 72 |
| Insulation resistance (MΩ) | 75 x 10 ³ |
| Breakdown voltage (V-50 Hz) | 1800 - 1 s |
| Weight (g) | 160 |
| Wires length mm (approximately) | 250 |
| Protection rating | IP30 |

Dimensions (mm)

82 330 5



| N° | Legend |
|----|--|
| ① | 3 fixing holes Ø M2 at 120 ° on r=19.5 max. depth 3.5 mm |

Product adaptations



- Different voltages available
- Pinion on output shaft
- Special cable lengths
- Special connectors

Mouser Electronics

Authorized Distributor

Click to View Pricing, Inventory, Delivery & Lifecycle Information:

[Crouzet:](#)

[82330582](#)