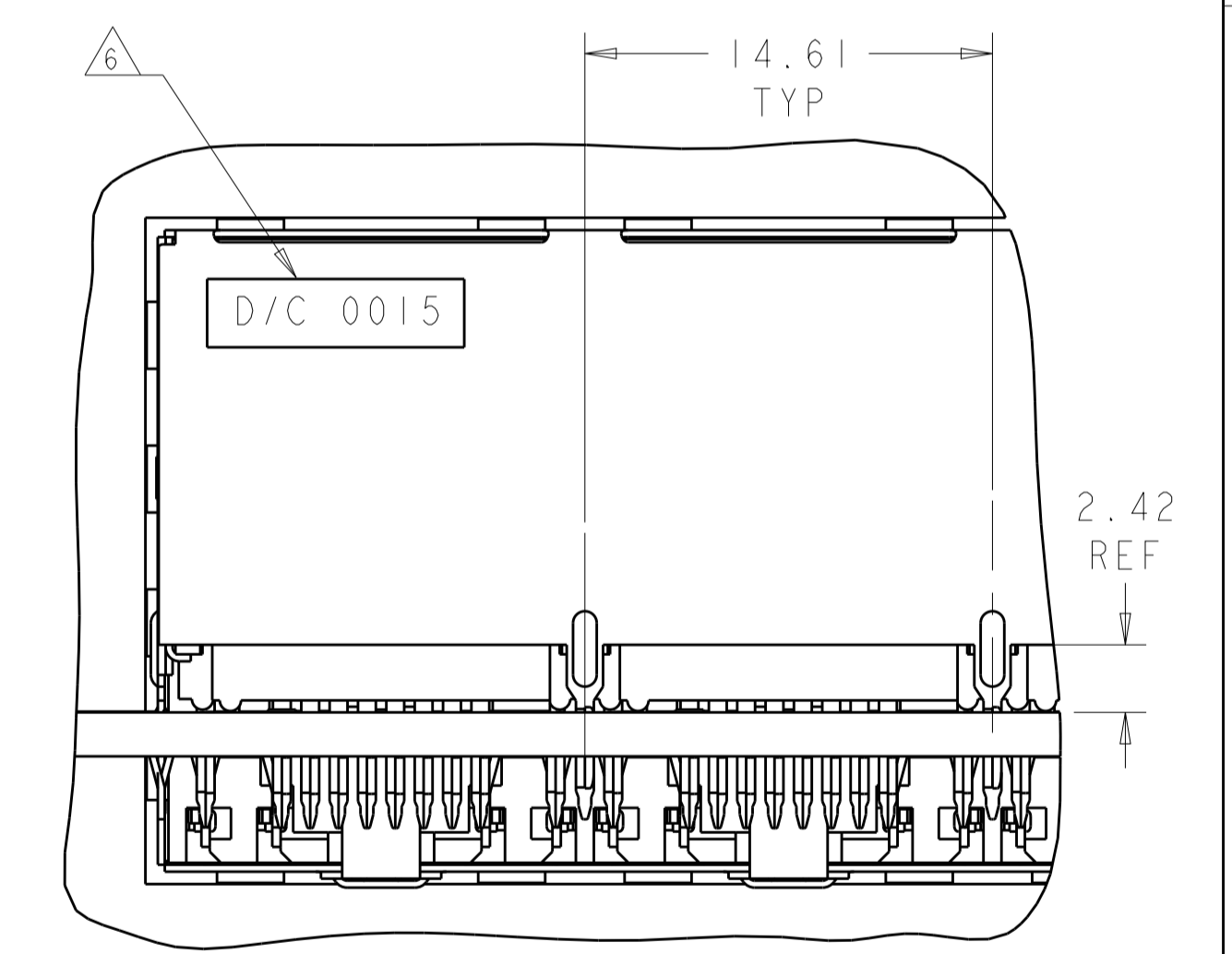
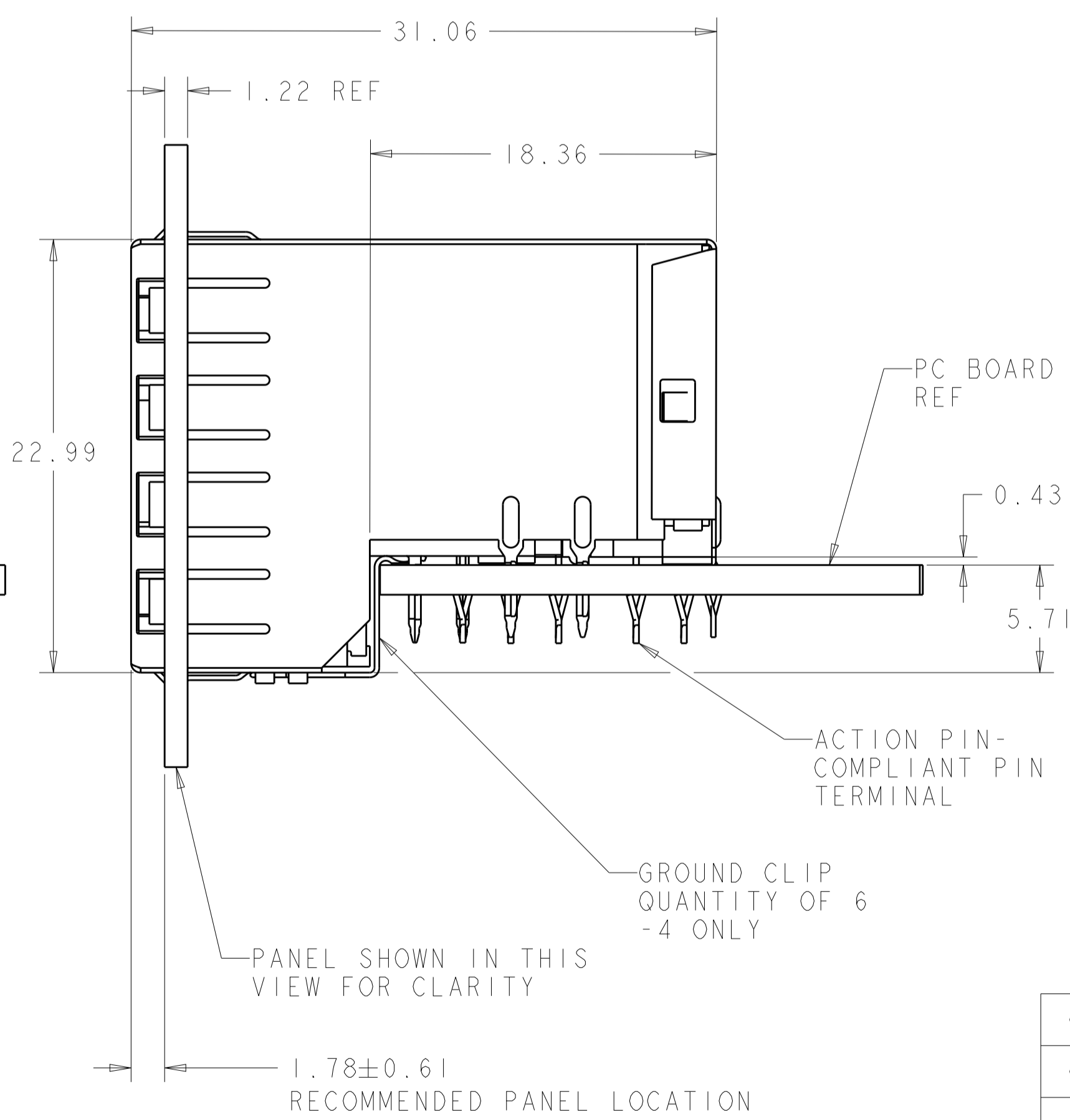
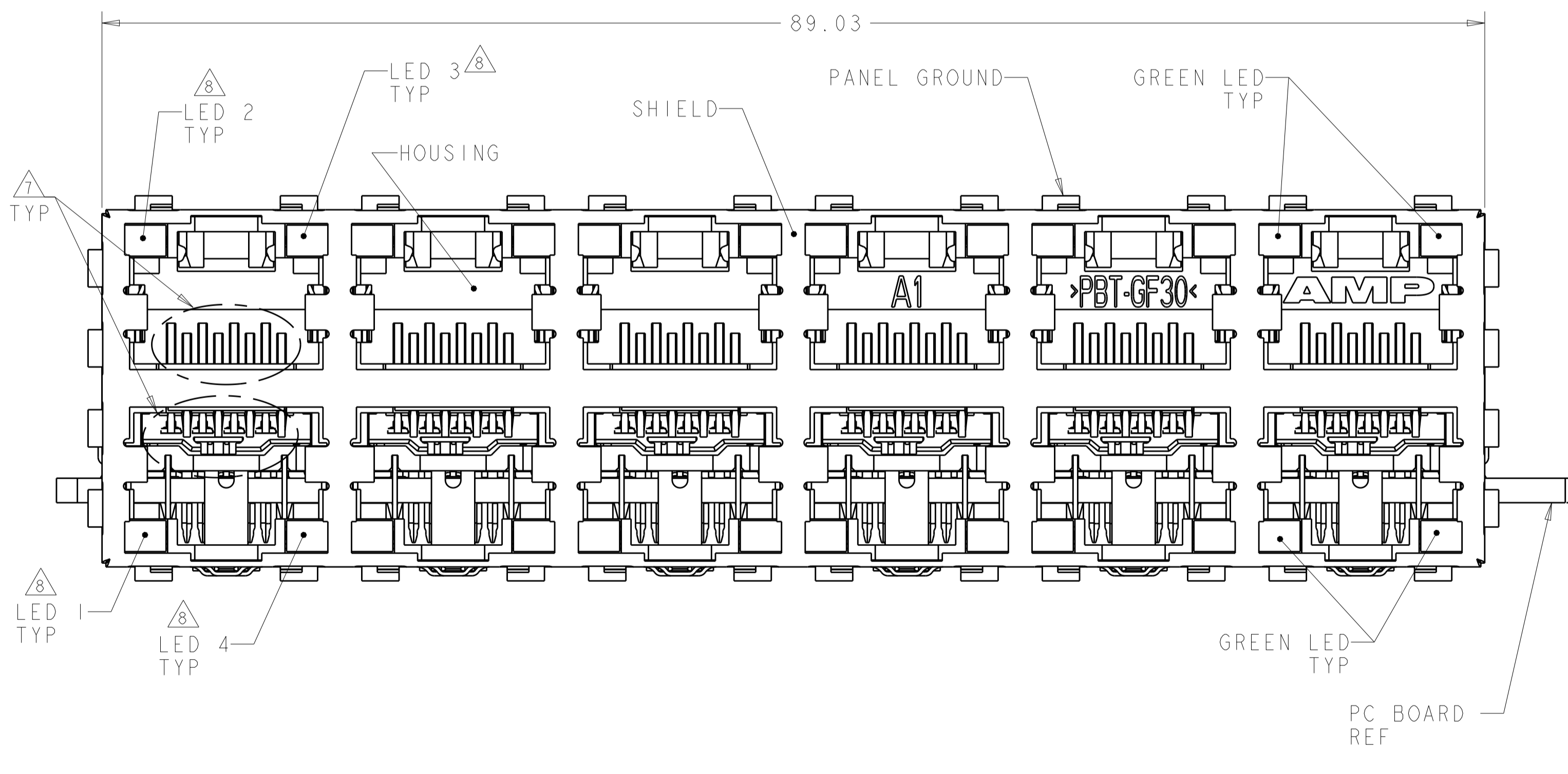


REVISIONS				
P.	LTN	DESCRIPTION	DATE	OWN APVD
B		ECO-15-006810	29DEC2015	LL SH

- MATERIAL:
 - HOUSING
PBT POLYESTER, BLACK, UL 94V-0.
 - TERMINALS
0.33 THICK PHOSPHOR BRONZE PLATED WITH 1.27µm MINIMUM THICK HARD GOLD IN LOCALIZED AREA AND 2µm MINIMUM THICK MATTE TIN IN ACTION PIN COMPLIANT PIN TERMINAL AREA OVER 1.27µm MINIMUM THICK NICKEL UNDERPLATE.
 - SHIELD
0.25 THICK COPPER ALLOY PLATED WITH 2.03µm MINIMUM BRIGHT TIN OVER 1.27µm MINIMUM NICKEL.
 - LIGHT EMITTING DIODE (LED)
DIFFUSED EPOXY LENS, 12.95 CARBON STL WIREFRAME LEADS PREPLATED WITH 2.29µm SILVER OVER 1.02µm NICKEL UNDERPLATE OVER 2.03µm COPPER UNDERPLATE.
 - LED ACTION PIN - COMPLIANT PIN CONTACTS 0.3 THICK BRASS PLATED WITH 2µm MINIMUM MATTE TIN OVER 1.27µm MINIMUM NICKEL UNDERPLATE.
- JACK CAVITY CONFORMS TO FCC RULES AND REGULATIONS, PART 68 SUBPART F.
- ALL DIMENSIONS ARE NOMINAL UNLESS OTHERWISE SPECIFIED.
 - △4 DRILLED HOLE DIA = 1.02±.025.
COPPER THICKNESS = 0.025-0.075.
TIN THICKNESS = 0.008 MIN.
 - △5 DATUMS AND BASIC DIMENSIONS ESTABLISHED BY CUSTOMER.
 - △6 DATE CODE LOCATED ON REAR OF PART APPROXIMATELY AS SHOWN.
 - △7 CONTACTS ARE NOT INTENDED TO BE ALIGNED WITH EACH OTHER.
 - △8 SUGGESTED OPERATING CURRENT FOR LEDS IS 20 mA.

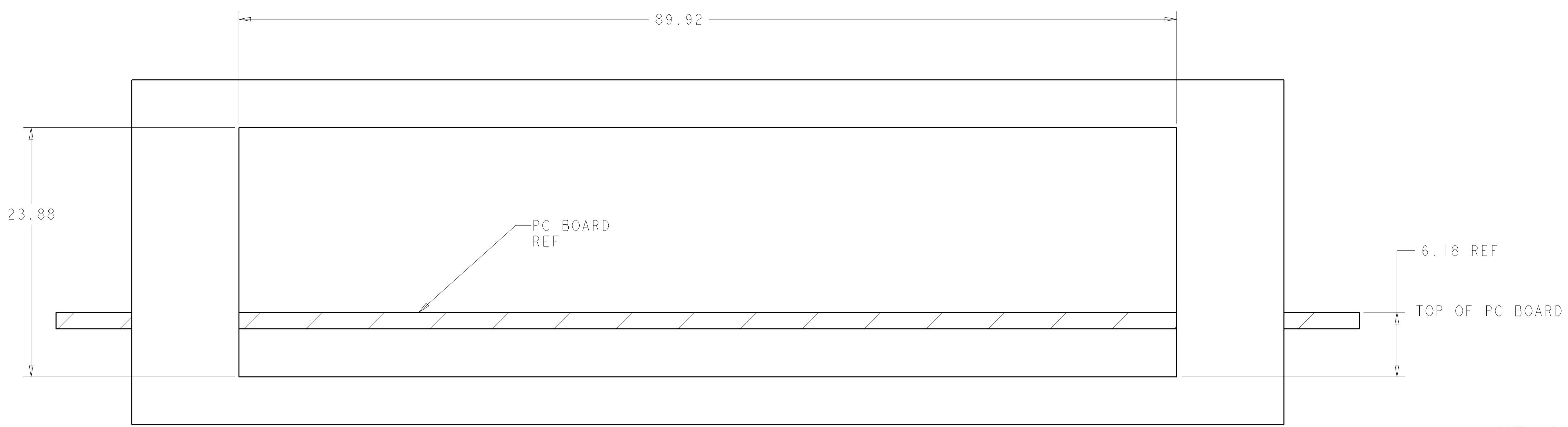


LED COLOR	DESCRIPTION	PART NUMBER
GREEN/YELLOW	WITH GROUND CLIP	6368035-4
GREEN/YELLOW	WITHOUT GROUND CLIP	6368035-3
GREEN	WITHOUT GROUND CLIP	6368035-1

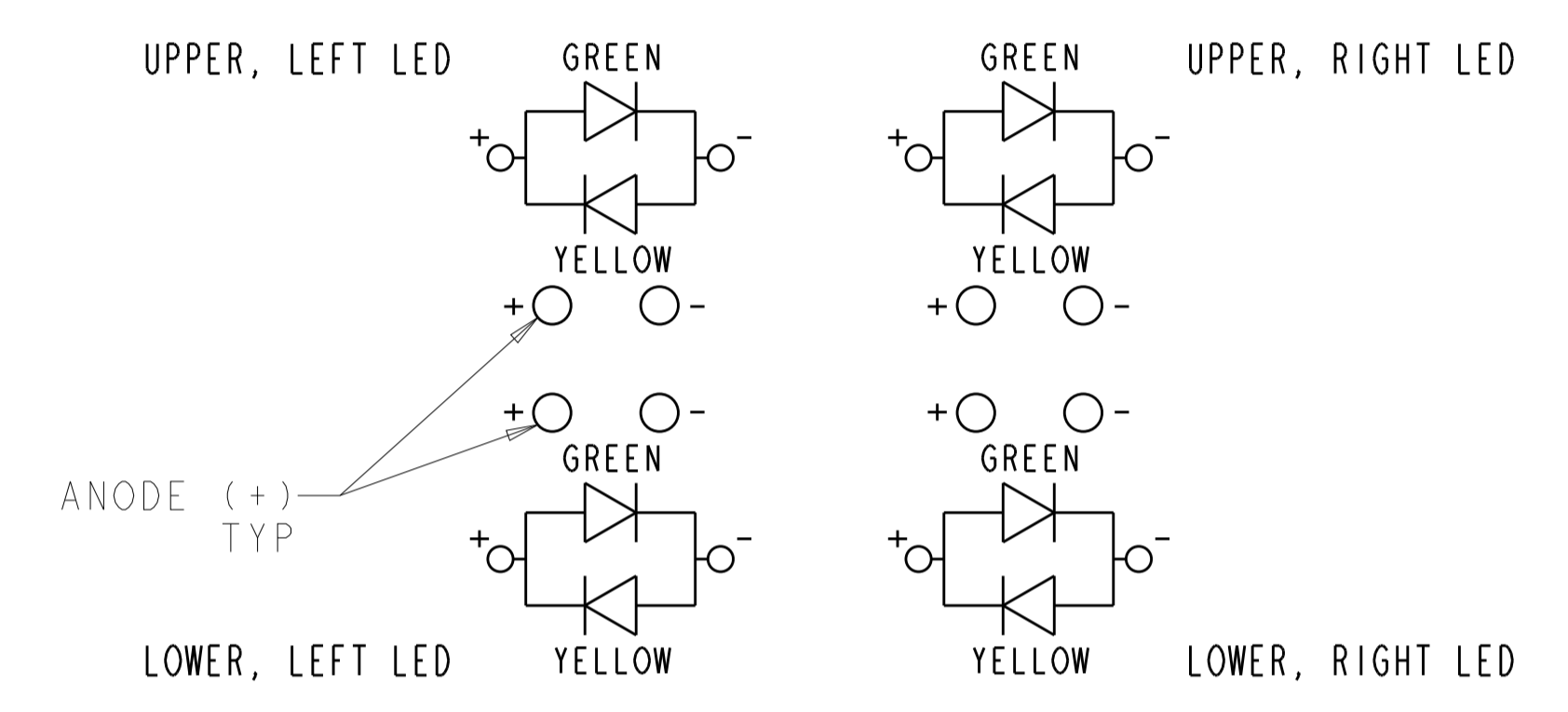
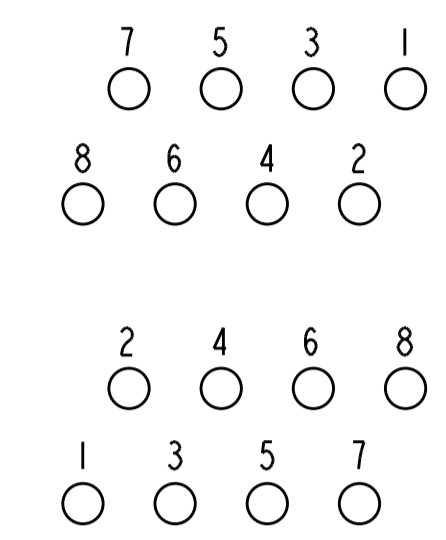
THIS DRAWING IS A CONTROLLED DOCUMENT.

DIMENSIONS:	TOLERANCES UNLESS OTHERWISE SPECIFIED:	OWN	29 JUL 2005	TE Connectivity			
mm	0 PLC ±.13	CH	L. VARELA - DOC 5				
	1 PLC ±0.13	APVD	J. WESTMAN				
	2 PLC ±.13	NAME	S. FLICKINGER				
MATERIAL	FINISH	PRODUCT SPEC	108-1854	STACKED MODULAR JACK ASSEMBLY 2 X 6 OFFSET, W/LEDS, 8 POSN, RJ45 SHIELDED PANEL GROUND, CAT 5			
		APPLICATION SPEC	114-2160				
		WEIGHT		SIZE	CAGE CODE	DRAWING NO	RESTRICTED TO
				A1	00779	6368035	
		CUSTOMER DRAWING		SCALE	4:1	SHEET	1 OF 2
							REV B

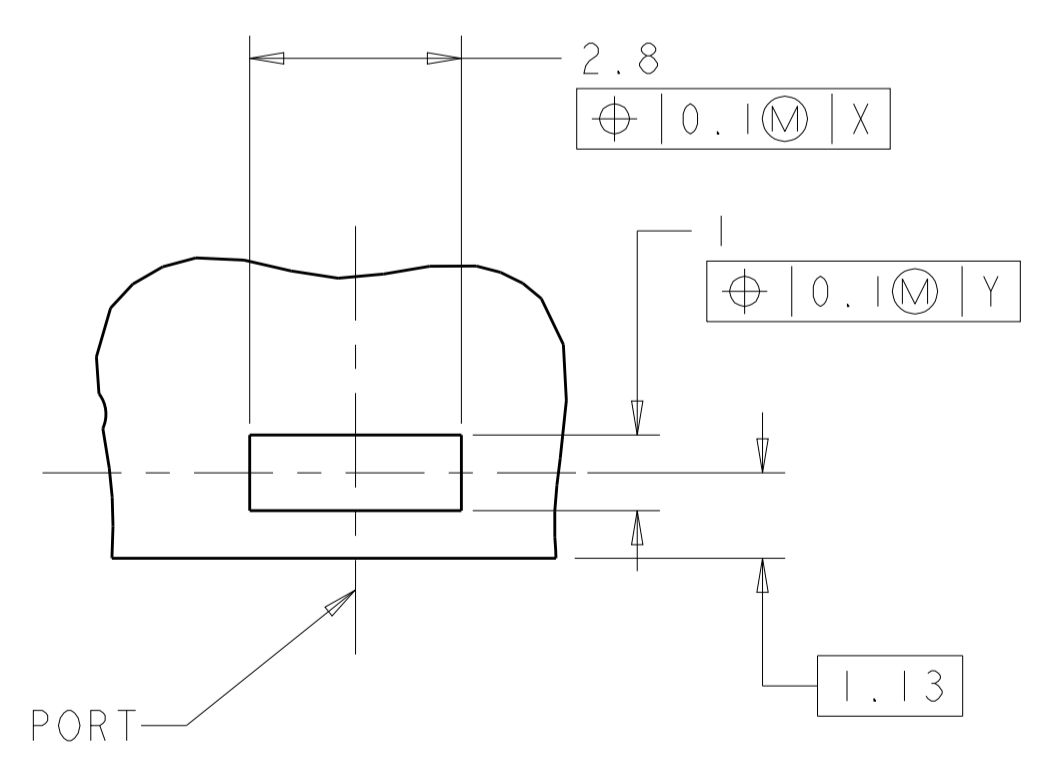
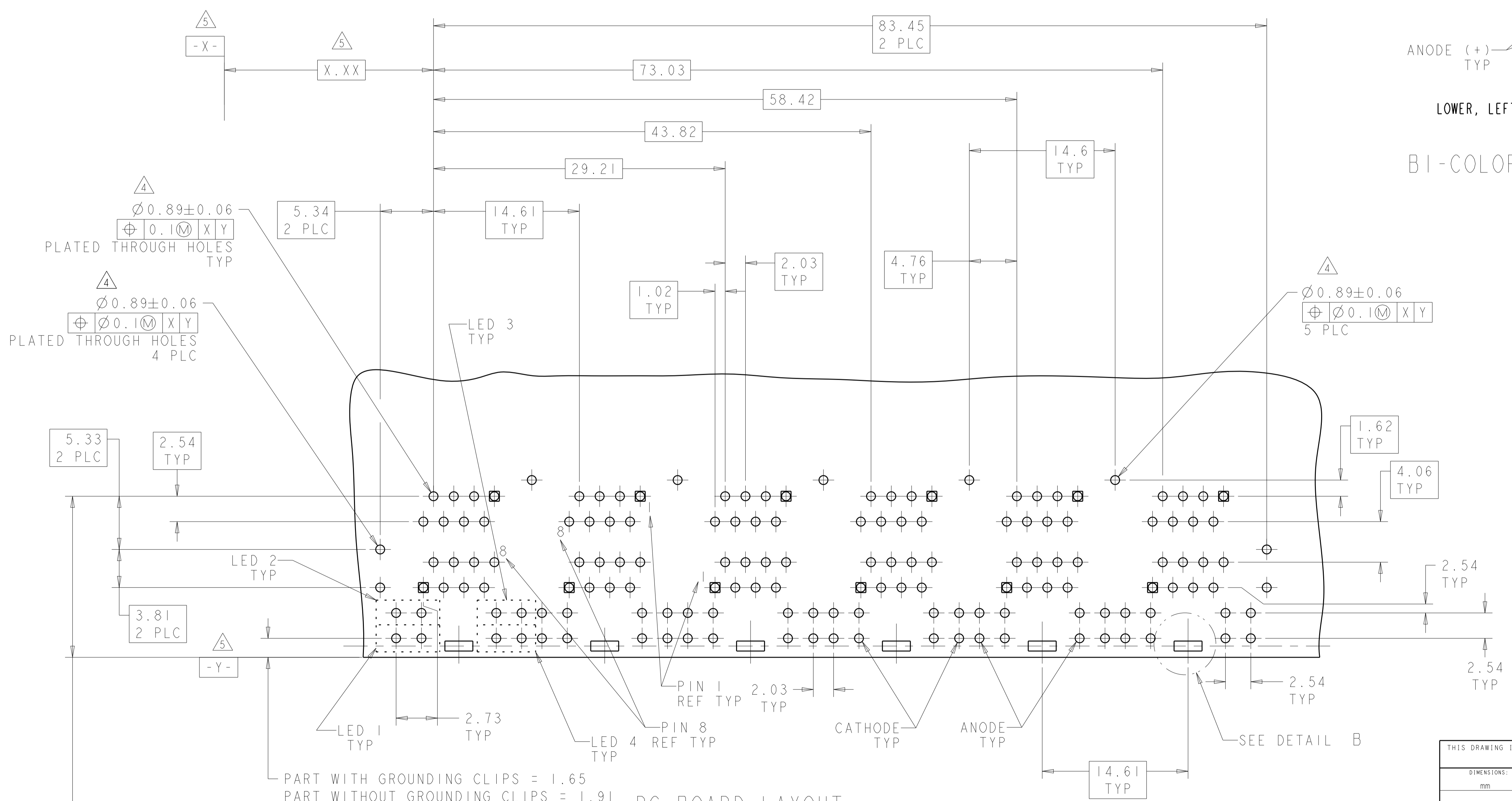
REVISIONS				
P.	LTN.	DESCRIPTION	DATE	APP'D.
-	-	SEE SHEET 1	-	-



RECOMMENDED PANEL CUT-OUT



BI-COLOR LED SCHEMATIC FOR 6368035-3 & -4



DETAIL B
THESE PLATED PADS REQUIRED FOR 6368035-4 PRODUCTS WITH GROUNDING CLIPS
SCALE 10:1
6 PLACES

PART WITH GROUNDING CLIPS = 1.65
PART WITHOUT GROUNDING CLIPS = 1.91
15.88 WITH GROUNDING CLIPS
16.13 WITHOUT GROUNDING CLIPS

PC BOARD LAYOUT
(COMPONENT SIDE)

THIS DRAWING IS A CONTROLLED DOCUMENT.		OWN: J. VARELA 29 JUL 2005	TE Connectivity
DIMENSIONS: mm		CHK: J. WESTMAN 29 JUL 2005	
TOLERANCES UNLESS OTHERWISE SPECIFIED:		APP'D: S. FLICKINGER 29 JUL 2005	NAME: STACKED MODULAR JACK ASSEMBLY 2 X 6 OFFSET, W/LEDS, 8 POSN, RJ45 SHIELDED PANEL GROUND, CAT 5 SIZE: CAGE CODE DRAWING NO: A100779 WEIGHT: 114-2160 CUSTOMER DRAWING: C=6368035
0 PLC ±0.13		PRODUCT SPEC: 108-1854	
1 PLC ±0.13		APPLICATION SPEC: 114-2160	
2 PLC ±0.13		RESTRICTED TO: -	
3 PLC ±0.13		SCALE: 4:1	SHEET: 2 OF 2
4 PLC ±0.13		REV: B	
5 PLC ±0.13			
6 PLC ±0.13			
7 PLC ±0.13			
8 PLC ±0.13			
ANGLES ±1			
FINISH: -			

Mouser Electronics

Authorized Distributor

Click to View Pricing, Inventory, Delivery & Lifecycle Information:

[TE Connectivity:](#)

[6368035-3](#)