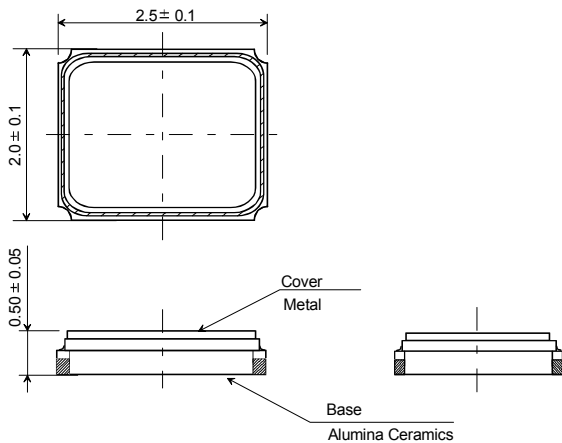


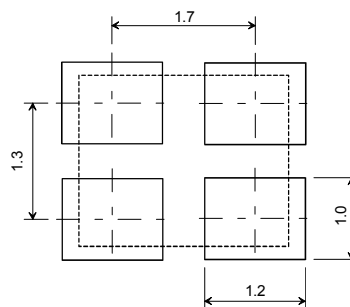
1	NDK Part Number	NX2520SA-16MHZ-EXS00A-CS05116
2	Chipset Maker	RENESAS
3	Application	zigbee
4	Chipset Name	R5F213M
5	NDK Specification Number	EXS00A-CS05116
6	Type	NX2520SA
7	Electrical Characteristics	
7.1	Nominal Frequency (f_{nom})	16.000 MHz
7.2	Overtone order	Fundamental
7.3	Adjustment tolerance	$\pm 15 \times 10^{-6}$ max.
7.4	Tolerance over the temperature range	$\pm 15 \times 10^{-6}$ max. (at -10 to +75 °C)
7.5	Equivalent Series Resistance (R_r)	80 Ω max.
7.6	Maximum Drive Level	200 μ W max.
8	Measurement Circuit	
8.1	Frequency Measurement	
8.1.1	Measuring Instrument	IEC π -Network
8.1.2	Load Capacitance (C_L)	12 pF
8.1.3	Level of Drive	10 μ W
8.2	Equivalent Resistance Measurement	
8.2.1	Measuring Instrument	IEC π -Network
8.2.2	Load Capacitance (C_L)	Series
8.2.3	Level of Drive	10 μ W
9	Operating Temperature Range	-10 to +75 °C
10	Storage Temperature Range	-40 to +85 °C

11 Dimension

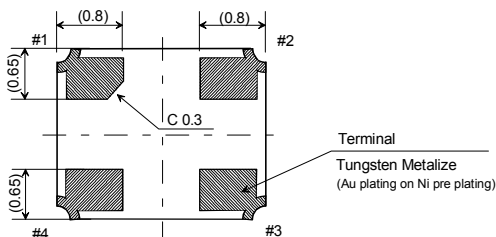
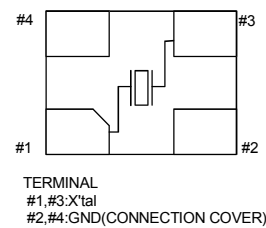
(Unit: mm)



LAND PATTERN (TYPICAL)



[TOP VIEW]
TERMINAL LAND CONNECTIONS



Mouser Electronics

Authorized Distributor

Click to View Pricing, Inventory, Delivery & Lifecycle Information:

NDK:

[NX2520SA-16MHZ-EXS00A-CS05116](#)