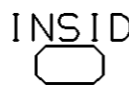
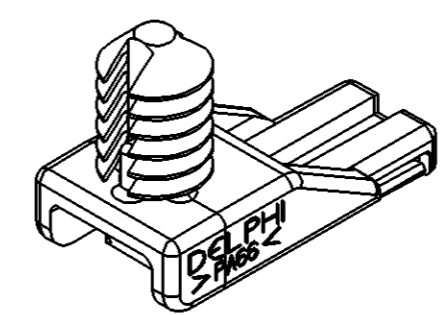
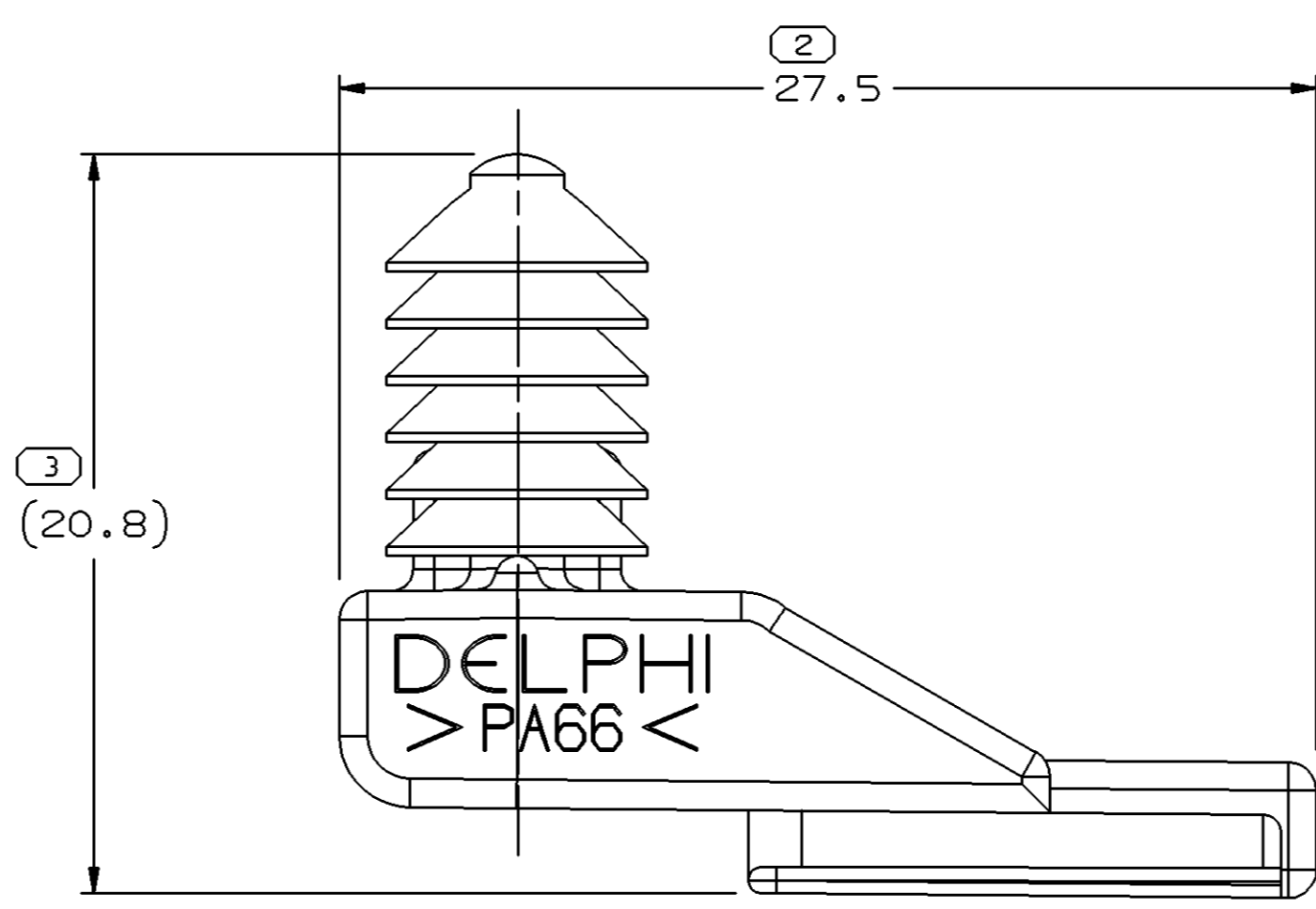
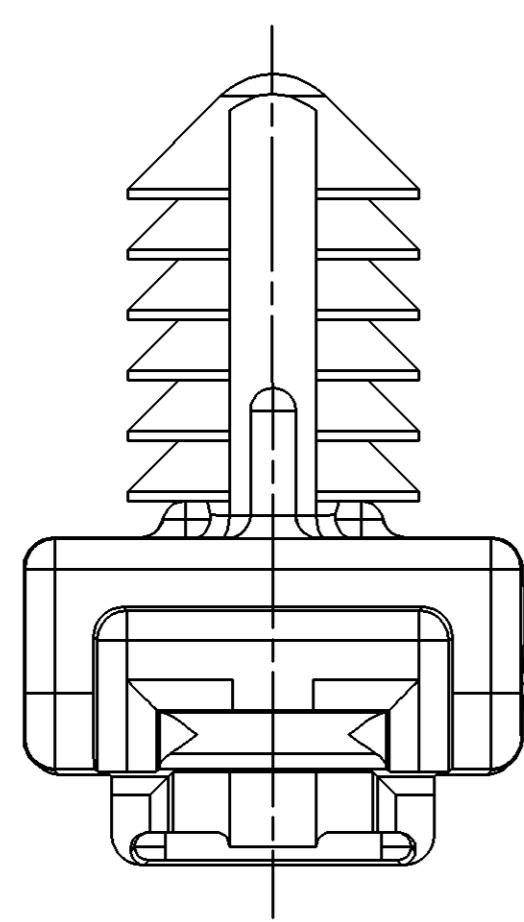
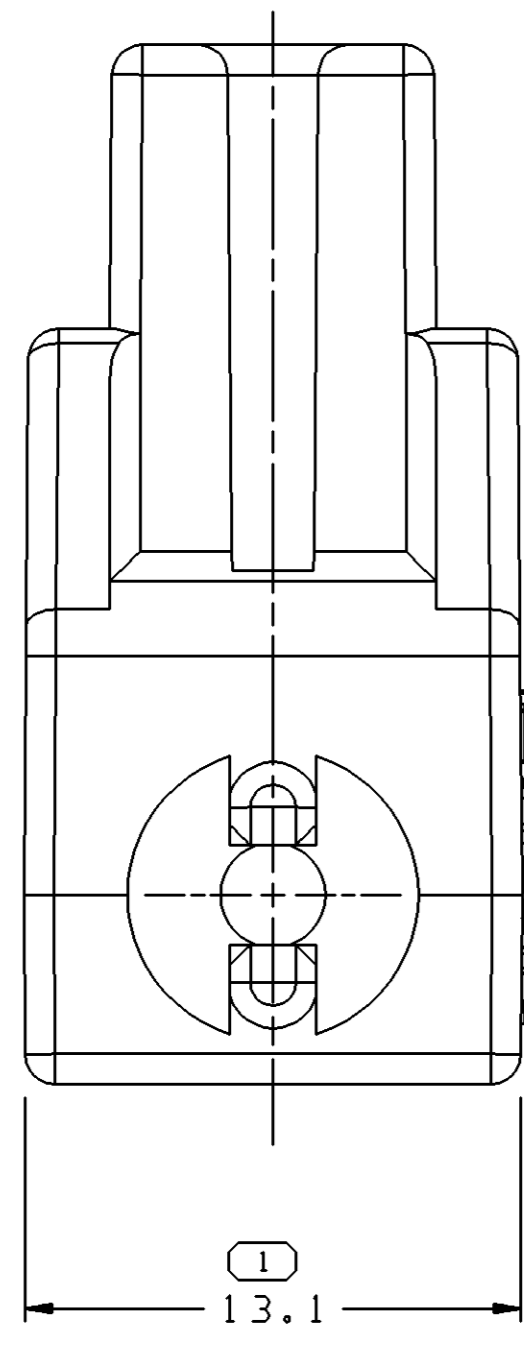


SYMBOL DEFINITION		MISSING NUMBERS	
THE NUMBER INSIDE THE SYMBOL 	TOTAL NO. OF SYMBOLS ON DRAWING	3	
	LAST NO. USED	3	

DWG STATUS					ZONE	REVISION HISTORY			AUTH	DR	APVD1	APVD2
DATE	STG	REV	N/P	CHG								
22JA99	R	002	--	--		CLEARED REV COLUMN & REVISED GRAPHICS			192302	LMM	JGS	SN
18AP05	R	02	AA	-		MAT'L SPEC WAS R0071784 AND ADDED NOTES 2 & 4			265515	MJM	MJM	ET



VIEW SCALE DOES NOT REFLECT ACTUAL PART SIZE

NOTES

- UNLESS OTHERWISE SPECIFIED AND/OR INDICATED:
DIMENSIONS ARE TO FACE OF VIEW SHOWN AND AUTOMATICALLY ROUNDED BY COMPUTER FOR INSPECTION (SEE MATH MODEL FOR PRECISE DIMENSIONS). FOR ALL OTHER DIMENSIONS NOT SHOWN BUT REQUIRED FOR TOOL BUILD, SEE MATH MODEL FOR PRECISE TOOL PATH DATA.
- MATERIAL RECYCLING CODE PER ISO 11469. (1.6)X(0.1) CHARACTERS AS SHOWN TO BE LOCATED ON ANY EXTERIOR SURFACE.
- THIS PART IS NOT CONTROLLED FOR AUTOMATIC FEEDING.
- (1.6)X(0.1) DELPHI CORPORATE BRAND TO BE LOCATED ON ANY EXTERIOR SURFACE, PREFERABLY VISIBLE AT FINAL ASSEMBLY. OPTIONAL CONSTRUCTION FOR EXISTING TOOLING MAY BE "PED".
- RECOMMENDED HOLE SIZE: 6.35 IN 4 MAX THICK STOCK.

DIMENSIONAL RANGE (MM)		TOLERANCE UNLESS OTHERWISE SPECIFIED		ANGULAR TOLERANCE ±2°	
FROM	TO				
> 0	> 20	±0.15	±0.2	±0.3	±0.4
> 20	> 30	±0.2	±0.3	±0.4	±0.5
> 30	> 70	±0.3	±0.4	±0.5	±0.6
> 70	> 100	±0.4	±0.5	±0.6	±0.8
> 100	> 150	±0.5	±0.6	±0.8	±1
> 150	> 200	±0.6	±0.8	±1	±1.2
> 200	> 250	±0.8	±1	±1.2	
> 250	> 300	±1	±1.2		
> 300	> 400	±1.2			

DWG TYPE PART DRAWING	
STYLE	
VOLUME (CM³) 1.299	DISTR CODE D
UNLESS OTHERWISE SPECIFIED THIS DOCUMENT IS IN ACCORDANCE WITH ASME Y14.5M-1994 AS AMENDED BY THE GM GLOBAL DIMENSIONING AND TOLERANCING ADDENDUM-2001. SEPARATE PATTERNS OF FEATURES MAY BE GAGED SEPARATELY REGARDLESS OF DATUM REFERENCES.	
ALL DIMENSIONS ARE IN MILLIMETERS	
REFERENCE 001, 701	
THIRD ANGLE PROJECTION	DO NOT SCALE
USE MATH DATA	UNIGRAPHICS

DELPHI	
DELPHI PACKARD ELECTRIC SYSTEMS WARREN, OH	
DR M. MCCALL	DATE 24MR98
APVD1 M. CHRESTAY	22JN98
APVD2 M. CHRESTAY	22JN98
APVD3 S. NORLING	23JN98
APVD4	
APVD5	
SUBSTANCES OF CONCERN AND RECYCLED CONTENT PER DELPHI 10949001	
MATERIAL M3592025 PA66 HS IM GRA MD	
DRAWING NAME MOUN CLIP CONN NAIL	
DRAWING NUMBER 15358639	
SIZE A1	SCALE 5:1
FRAME NO 1 OF 1	SHEET NO 1 OF 1
STG R	REV 02
N/P AA	

Mouser Electronics

Authorized Distributor

Click to View Pricing, Inventory, Delivery & Lifecycle Information:

[Aptiv:](#)

[15358639](#)