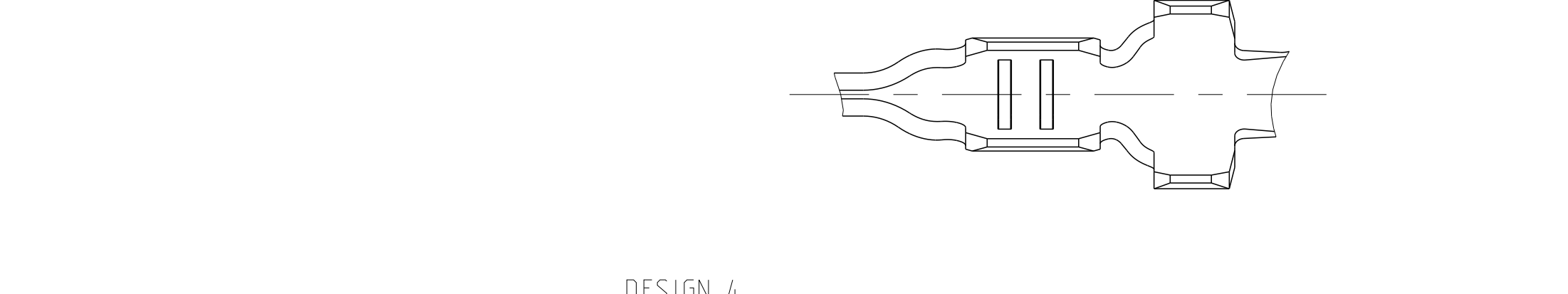
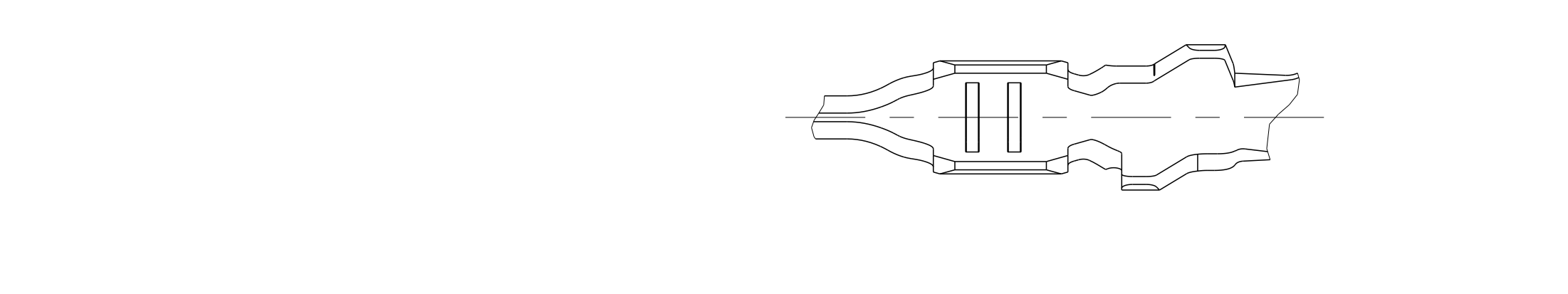
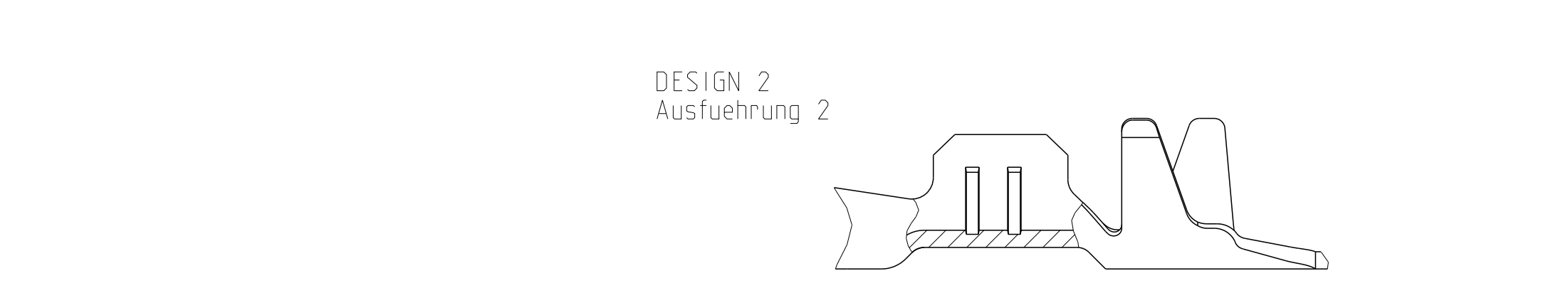
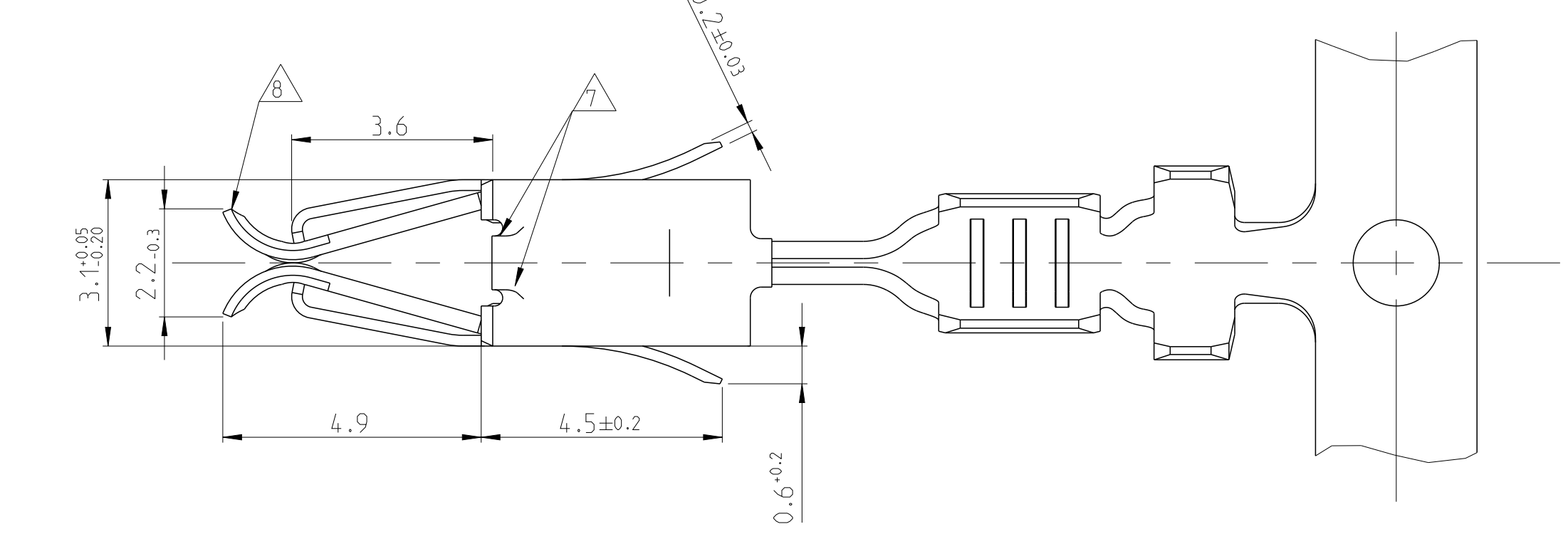
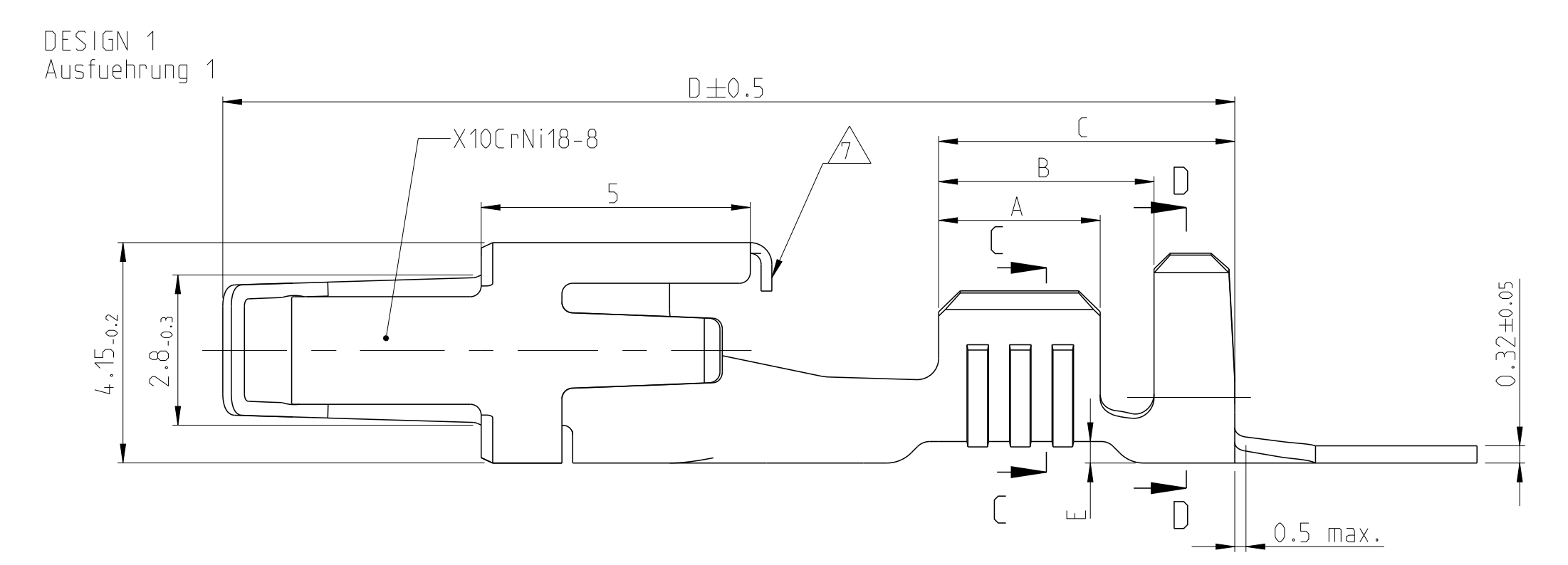
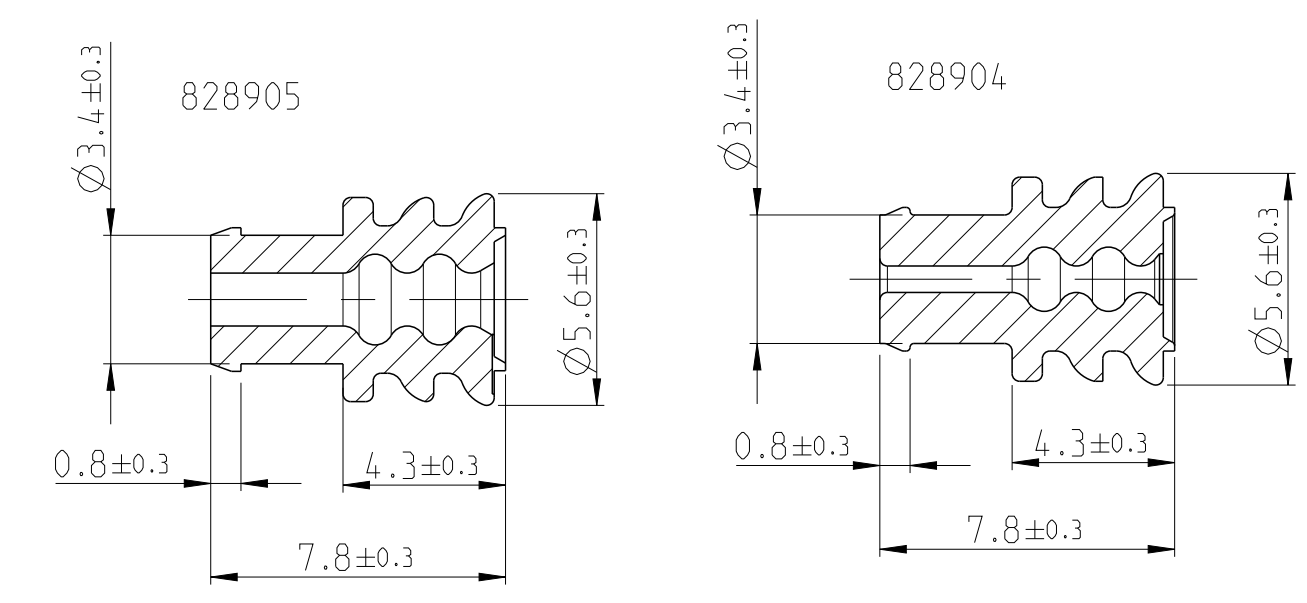


UNSEALED / ungeölt	REV.	DESIGN Ausführung	MATERIAL Werkstoff	SURFACE Oberfläche	WIRE RANGE Drahtgrößenbereich (mm <sup>2</sup> )	INSULATION Isolations Ø (mm)	STRIP FORM WIRE CRIMP Drahtcrimp Bandware	INSUL.-CRIMP Iso-Crimp Bandware	A	B	C	D	E
965901-1	A	1	CuSn4	PRET INNED vorverzinkt min. 0.8 µm	0.5-1.0 FLR	1.4-2.3	E = 2.6 G = 2.8 DDr = 1.1	H = 3.6 K = 3.9 D = 1.8	3	4	5.5	18.8	0.4
965899-1	A	1	CuSn4	PRET INNED vorverzinkt min. 0.8 µm	>1.0-2.5 FLR	2.1-3.1	E = 3.6 G = 3.8 DDr = 1.8	H = 4.7 K = 4.9 D = 2.6	3.3	4.3	5.8	18.8	0.4
928876-1	A	1	CuSn4	PLAIN BLANK	0.5-1.0 FLK	2.0-2.7	E = 2.6 G = 2.8 DDr = 1.1	H = 3.9 K = 4.1 D = 2.4	3	4	5.5	18.8	0.4
927775-7	M	1	CuNi12Zn24	PRET INNED vorverzinkt min. 0.8 µm	0.5-1.0 FLK	2.0-2.7	E = 2.6 G = 2.8 DDr = 1.1	H = 3.9 K = 4.1 D = 2.4	3	4	5.5	18.8	0.4
927775-6	M		CuSn4										
927775-3	M		CuSn4										
927775-1	M		CuFe2										
928810-1	A	1	CuFe2	PRET INNED vorverzinkt min. 1 µm	0.5-1.0 FLR	1.4-2.3	E = 2.6 G = 2.8 DDr = 1.1	H = 3.6 K = 3.9 D = 1.8	3.0	4.0	5.5	18.8	0.4
963884-1	A	1	CuSn4	PRET INNED vorverzinkt min. 1 µm	>1.0-2.5 FLR	2.1-3.1	E = 3.6 G = 3.8 DDr = 1.8	H = 4.7 K = 4.9 D = 2.6	3.3	4.3	5.8	18.8	0.4
927773-3	N	1	CuSn4	PRET INNED vorverzinkt min. 1 µm	>1.0-2.5 FLK	2.7-4.1	E = 3.6 G = 3.8 DDr = 1.8	H = 5.5 K = 5.8 D = 3.6	3.3	4.3	5.8	18.8	0.4
927773-1	N		CuFe2										
2-927768-1	R	1	CuSn4	PRET INNED vorverzinkt min. 1 µm	>1.0-2.5 FLR	2.1-3.1	E = 3.6 G = 3.8 DDr = 1.8	H = 4.7 K = 4.9 D = 2.6	3.3	4.3	5.8	18.8	0.4
1-927768-1	R		CuFe2										
927768-9	P		CuSn4										
927768-6	P		CuSn4										
927768-3	P		CuSn4										
927768-1	P		CuFe2										
1719810-1	A		1										
2-927771-2	N	1	CuSn4	PRET INNED vorverzinkt min. 1 µm	0.5-1.0 FLR	1.4-2.3	E = 2.6 G = 2.8 DDr = 1.1	H = 3.6 K = 3.9 D = 1.8	3	4	5.5	18.8	0.4
2-927771-1	N		CuFe2										
1-927771-1	N		CuSn4										
927771-9	M		CuSn4										
927771-8	N		CuSn4										
927771-6	M		CuSn4										
927771-3	M		CuFe2										
2-927774-1	C	2	CuSn4	PRET INNED vorverzinkt min. 1 µm	0.2-0.5 FLR	1.0-1.6	E = 2.1 G = 2.1 DDr = 0.8	H = 2.7 K = 2.8 D = 1.4	2.5	3.5	5.6	18.8	0.4
1-927774-1	C		CuFe2										
927774-6	B		CuSn4										
927774-3	B	2	CuSn4	PRET INNED vorverzinkt min. 1 µm	0.2-0.5 FLR	1.0-1.6	E = 2.1 G = 2.1 DDr = 0.8	H = 2.7 K = 2.8 D = 1.4	2.5	3.5	5.6	18.8	0.4
927774-1	B		CuFe2										
963708-1	B	2	CuFe2	PRET INNED vorverzinkt min. 1 µm	0.08-0.2 Sonderleitung	1.5-1.8	E = 1.7 G = 1.7 DDr = 0.6	H = 3.1 K = 3.2 D = 1.6	2.5	3.7	5.9	18.8	0.4
969137-1	A	3	CuSn4	PRET INNED vorverzinkt min. 0.8 µm	0.2-0.5 FLR	1.2-2.3	E = 2.1 G = 2.1 DDr = 0.8	H = 3.5 K = 3.6 D = 2.0	2.5	3.5	5	18.8	0.4
1-927778-1	D	3	CuFe2	PRET INNED vorverzinkt min. 0.8 µm	0.2-0.5 FLK	1.2-2.3	E = 2.1 G = 2.1 DDr = 0.8	H = 3.5 K = 3.6 D = 2.0	2.5	3.5	5	18.8	0.4
927778-3	C		CuSn4										
927778-1	C		CuFe2										
2112132-1	A	4	CuSn4	PLAIN BLANK	0.2-0.5 FLR	1.15-1.6	E = 2.4 G = 2.3 DDr = 1	H = 2.9 K = 2.9 D = 1.4	2.5	3.5	5.6	18.8	0.2
2-927766-1	E	5	CuSn4	PRET INNED vorverzinkt min. 1 µm	>1.0-2.5 FLK	2.7-3.0	E = 3.6 G = 3.8 DDr = 1.8	H = 5.4 K = 4.6 D = 3.2	3.5	5.9	7.5	18.8	0.4
1-927766-1	E		CuFe2										
927766-3	D		CuSn4										
927766-1	D		CuFe2										
2-929937-1	E	5	CuSn4	PRET INNED vorverzinkt min. 1 µm	>1.0-2.5 FLR	2.7-3.0	E = 3.6 G = 3.8 DDr = 1.8	H = 5.4 K = 4.6 D = 3.2	3.5	5.9	7.5	21	0.4
1-929937-1	E		CuFe2										
929937-6	E		CuSn4										
929937-3	E		CuSn4										
929937-1	E		CuFe2										
2-929939-1	E	5	CuSn4	PRET INNED vorverzinkt min. 1 µm	0.5-1.0 FLR	1.4-2.1	E = 2.6 G = 2.8 DDr = 1.1	H = 5.4 K = 4.6 D = 3.2	3	5.4	7	21	0.6
1-929939-1	E		CuFe2										
929939-6	E		CuSn4										
929939-3	E		CuFe2										
2-927770-1	G	5	CuSn4	PRET INNED vorverzinkt min. 1 µm	0.5-1.0 FLR	1.4-2.1	E = 2.6 G = 2.8 DDr = 1.1	H = 5.4 K = 4.6 D = 3.2	3	5.4	7	18.8	0.6
1-927770-1	G		CuFe2										
927770-6	F		CuSn4										
927770-3	F		CuFe2										
2-929941-1	E	6	CuSn4	PRET INNED vorverzinkt min. 1 µm	0.2-0.5 FLR	1.15-1.6	E = 2.1 G = 2.1 DDr = 0.8	H = 5.4 K = 4.6 D = 3.2	2.5	4.9	6.5	21	0.9
1-929941-1	E		CuFe2										
929941-6	D		CuSn4										
929941-3	D	6	CuSn4	PRET INNED vorverzinkt min. 1 µm	0.2-0.5 FLR	1.15-1.6	E = 2.1 G = 2.1 DDr = 0.8	H = 5.4 K = 4.6 D = 3.2	2.5	4.9	6.5	18.8	0.9
929941-1	D		CuFe2										
1-927772-1	D		CuSn4										
927772-3	C	6	CuSn4	PRET INNED vorverzinkt min. 1 µm	0.2-0.5 FLR	1.15-1.6	E = 2.1 G = 2.1 DDr = 0.8	H = 5.4 K = 4.6 D = 3.2	2.5	4.9	6.5	18.8	0.9
927772-1	C		CuFe2										

SEE APPLICATION - SPECIFICATION  
 siehe Verarbeitungspezifikation  
 114-18050



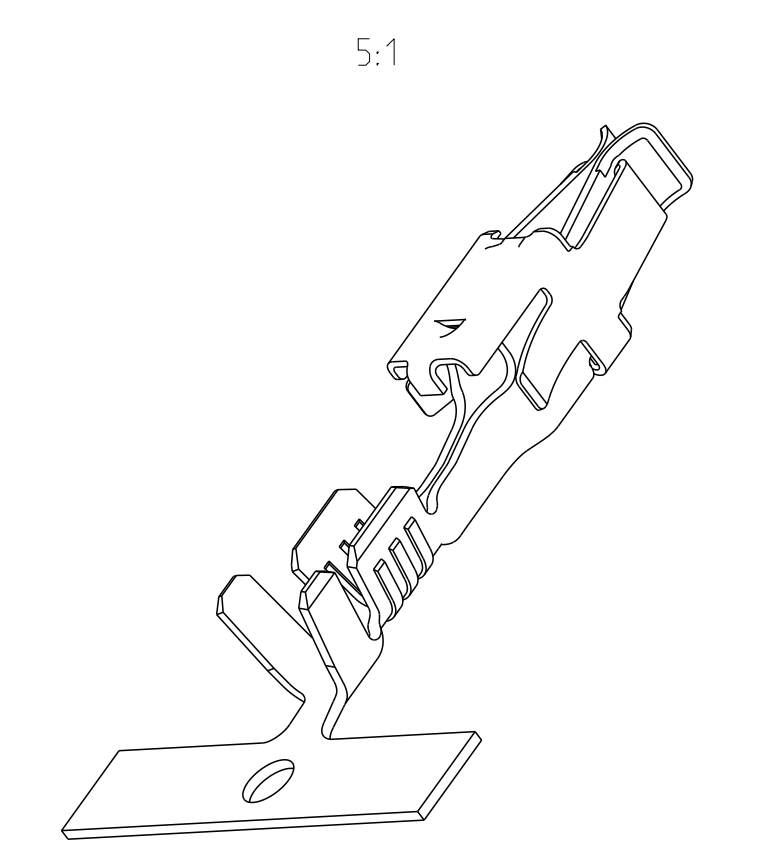
ORDER No. Bestell-Nr.	INSULATION Isolations Ø	COLOUR Farbe
828904-1	1.2-2.1	blue blau
828905-1	2.2-3.0	white weiss



REVISIONS			
NO.	DATE	DESCRIPTION	BY
A13	19NOV13	Part status changed	Ho. Eder
A14	25SEP2014	New Creo drawing created	Ho. Eder
A15	26MAY2014	Material of PN 928810-1 corrected	Silich Eder
A16	29NOV2014	Add PN's in the Table	Ho. Eder



- NOTES  
 Bemerkungen
- CONTACT BODY PRE-SILVER PLATED MIN. 0.8 µm  
 Kontaktkoerper vorversilbert min. 0.8 µm  
 CONTACT ZONE SELECTIVE PRE-SILVER PLATED MIN. 3 µm  
 Kontaktzone selektiv vorversilbert min. 3 µm
  - CONTACT ZONE GOLD PLATED MIN. 0.8 µm OVER MIN. 1.3 µm NICKEL-LAYER  
 Kontaktzone vergoldet min. 0.8 µm ueber min. 1.3 µm Nickel-Zwischenschicht  
 CRIMP AREA MIN. 1 µm TIN PLATED OVER NICKEL-LAYER  
 Crimpbereich min. 1 µm verzinkt ueber Nickel-Zwischenschicht
  - CANTILEVER SPRING INSIDE AND OUTSIDE 0.4-1.2 µm GOLD PLATED  
 Ueberfeder innen und aussen 0.4-1.2 µm vergoldet
  - CONTACT BODY, CONTACT SPRING INSIDE AND CRIMP AREA MIN. 1 µm TIN PLATED OVER NICKEL-LAYER.  
 TOUCHING AREA TO CANTILEVER SPRING AND CONTACT SPRING OUTSIDE  
 SELECTIVE 0.8 µm GOLD OVER MIN. 1.3 µm NICKEL-LAYER  
 Kontaktkoerper, Kontaktfeder innen und Crimpbereich min. 1.3 µm verzinkt ueber Nickel-Zwischenschicht, Anlageflaeche zur Ueberfeder und Kontaktfeder aussen selektiv 0.8 µm vergoldet ueber min. 1 µm Nickel-Zwischenschicht
  - CONTACT ZONE AND TOUCHING AREA TO CANTILEVER SPRING MIN. 0.8 µm SELECTIVE GOLD PLATED OVER 1.3 µm NICKEL PLATED. CRIMP AREA MIN. 1 µm TIN PLATED OVER NICKEL-LAYER  
 Kontaktzone und Anlageflaeche zur Ueberfeder min. 0.8 µm vergoldet ueber min. 1.3 µm Nickel-Zwischenschicht Crimpbereich min. 1 µm verzinkt ueber Nickel-Zwischenschicht
  - CONTACT BODY AND CRIMP AREA MIN. 1 µm TIN PLATED OVER NICKEL-LAYER.  
 TOUCHING AREA TO CANTILEVER SPRING SELECTIVE 0.8 µm GOLD OVER MIN. 1.3 µm NICKEL-LAYER  
 Kontaktkoerper und Crimpbereich min. 1 µm verzinkt ueber Nickel-Zwischenschicht, Anlageflaeche zur Ueberfeder selektiv 0.8 µm vergoldet ueber min. 1.3 µm Nickel-Zwischenschicht
  - CONTACT OFF OPTIONAL  
 Abschnitt/Freisschnitt optional
  - SAWAG ONLY FOR PN 929937, 929939, 929941  
 Swage nur fuer PN 929937, 929939, 929941
  - VARIANTS WITH GAP-SIZE 0.3mm (±0.1)  
 Varianten mit Gap-Size 0.3mm (±0.1)
  - CONTACTS DIPPED IN OR SPRAYED WITH LUBRICANT BARRIERTA  
 Kontakte getaucht oder besprueht mit Lubricant Barrierta
  - ACCORDING INSULATION DIA IS TO CHOOSE THE SINGLE WIRE SEAL  
 Entsprechend dem Isolationsdurchmesser ist die Einzel-Dichtung auszuwaehlen
  - VARIANTS WITH GAP-SIZE 0.65mm (±0.1)  
 Varianten mit Gap-Size 0.65mm (±0.1)
  - VARIANTS WITH GAP-SIZE 0.15mm (±0.05)  
 Varianten mit Gap-Size 0.15mm (±0.05)



# Mouser Electronics

Authorized Distributor

Click to View Pricing, Inventory, Delivery & Lifecycle Information:

[TE Connectivity:](#)

[927775-6](#)