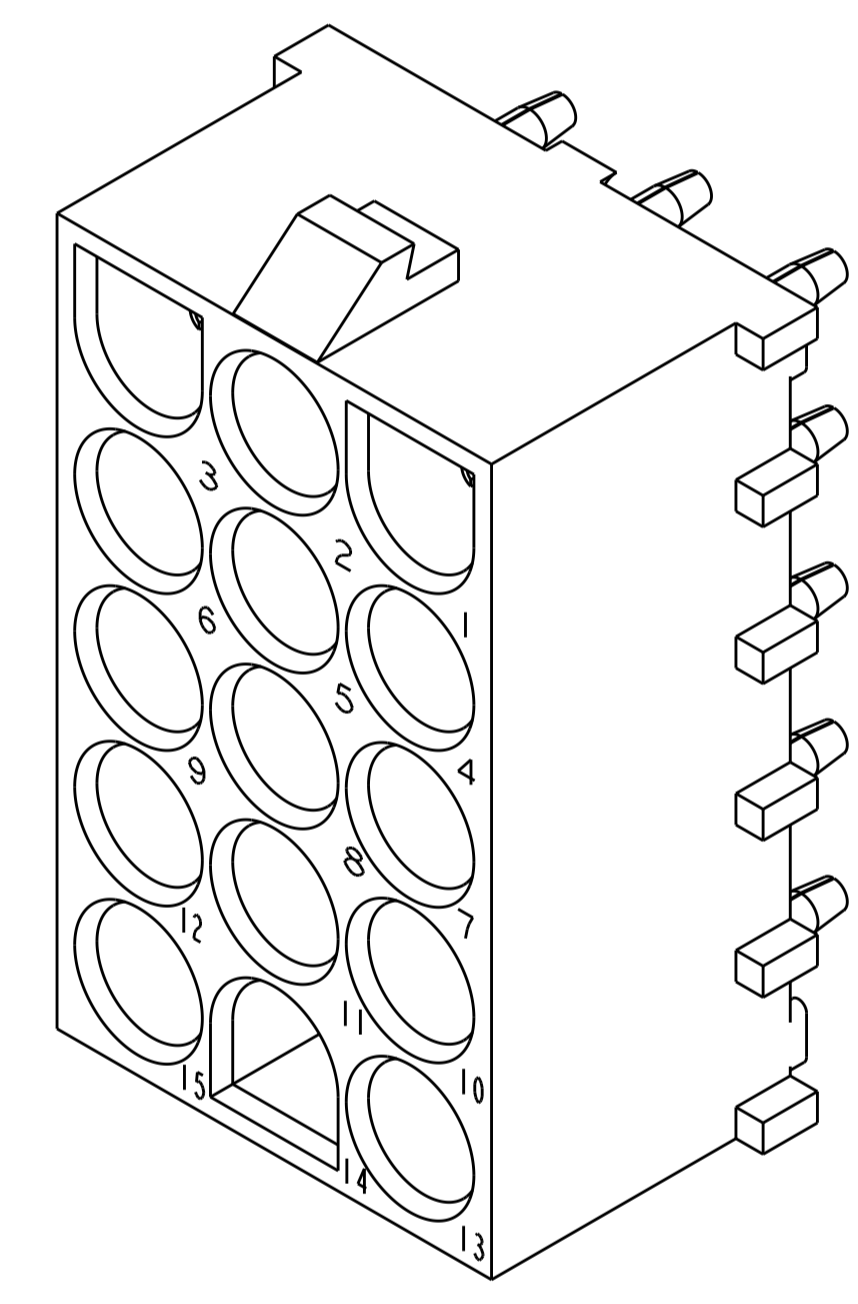
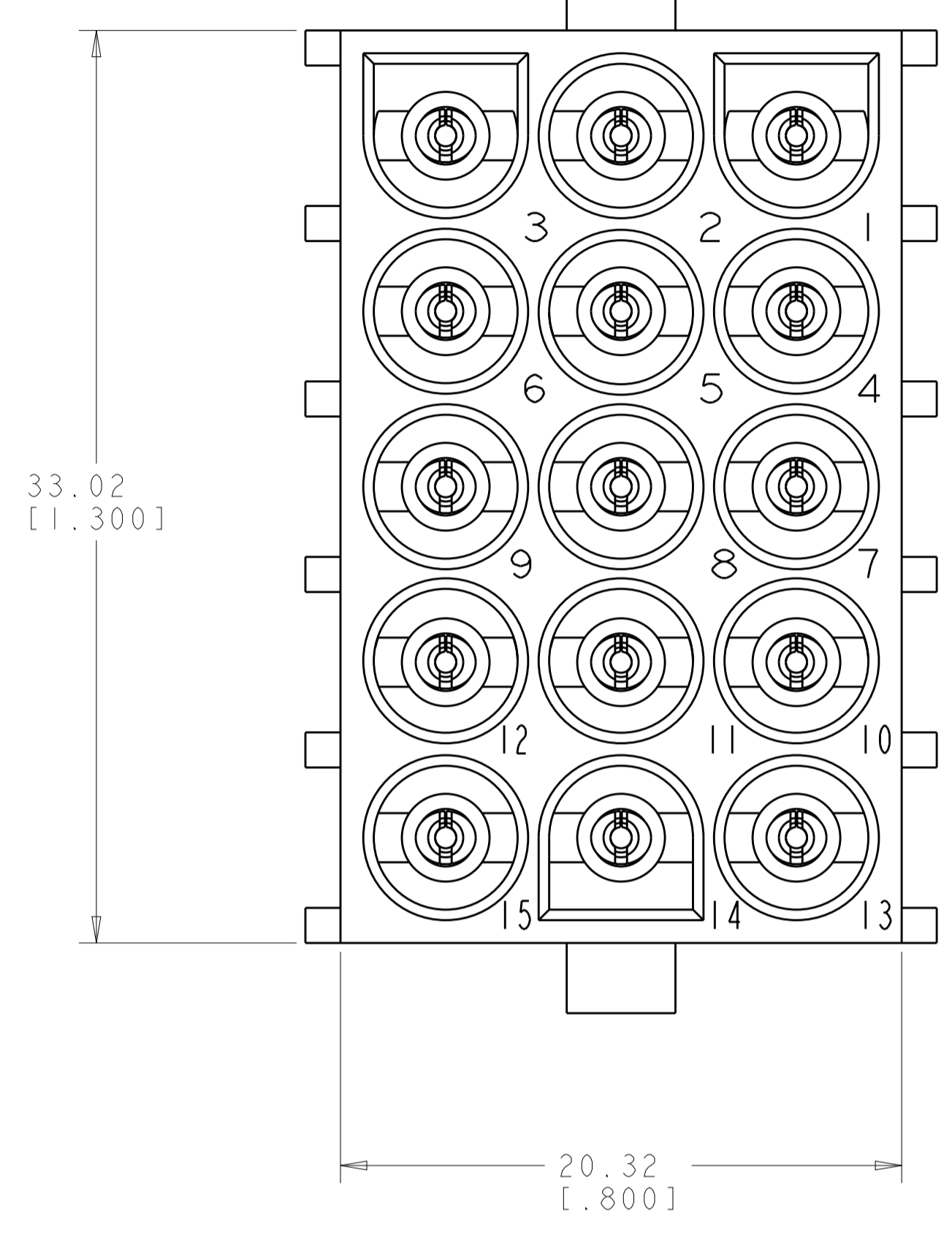
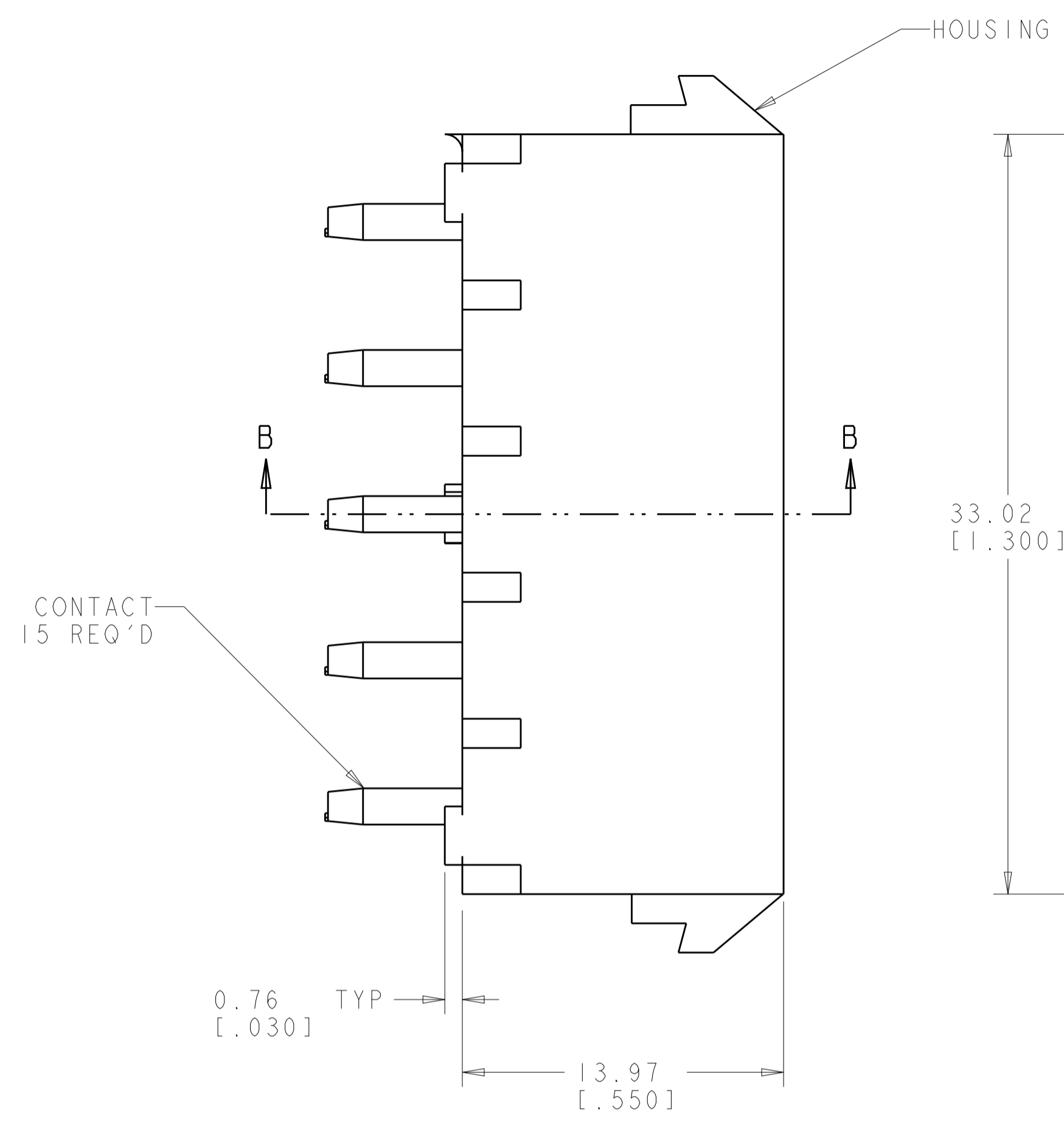
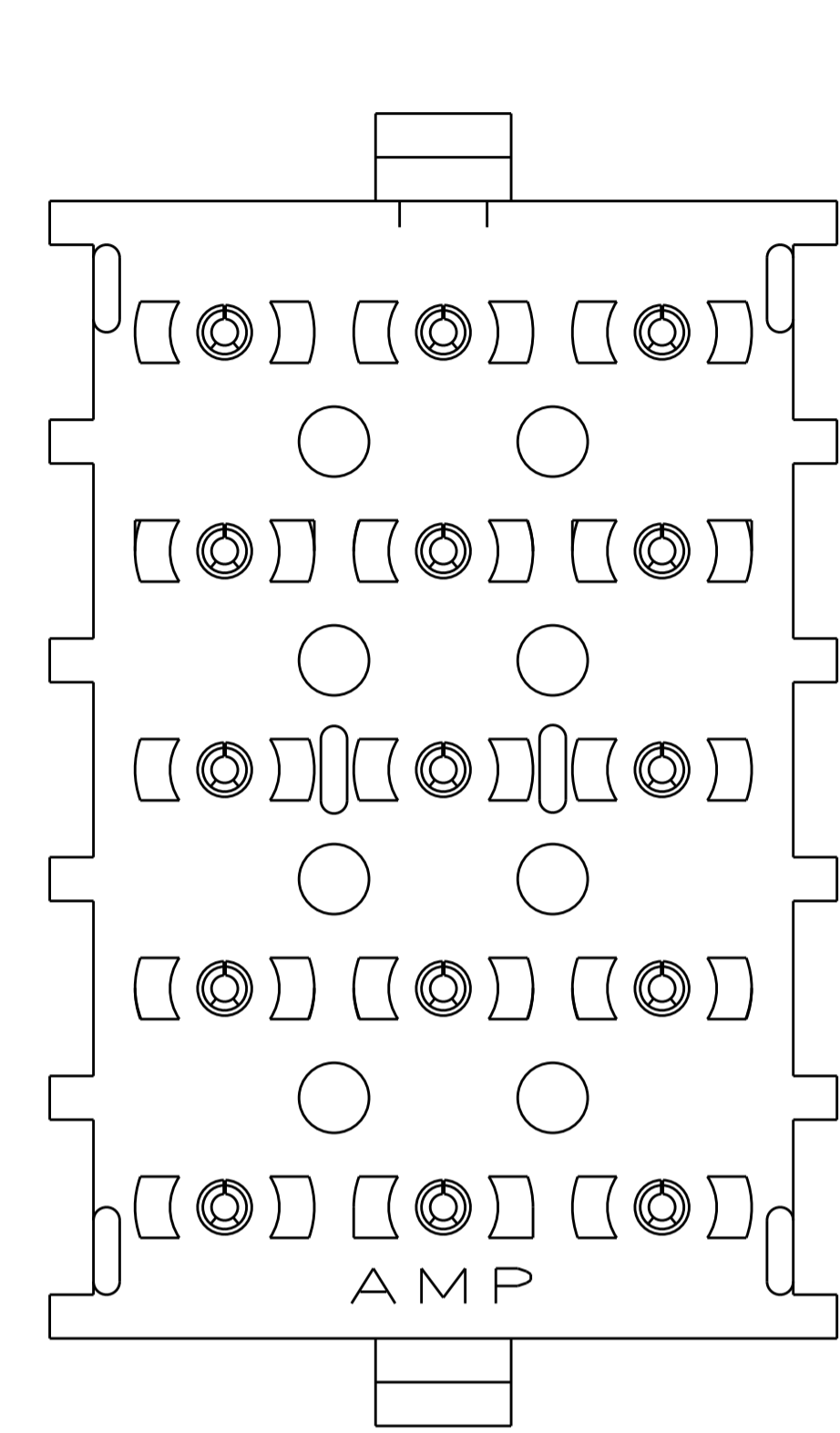
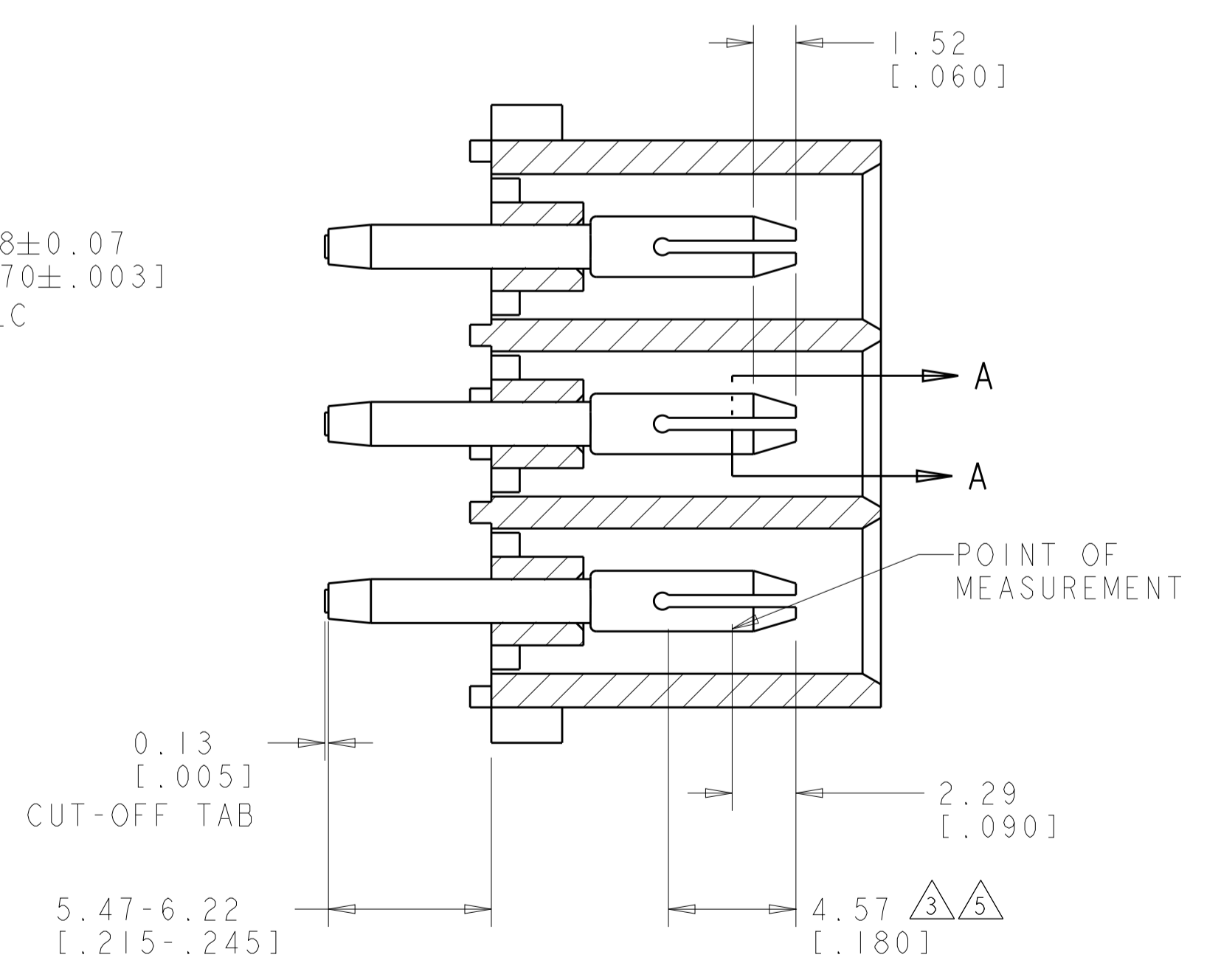
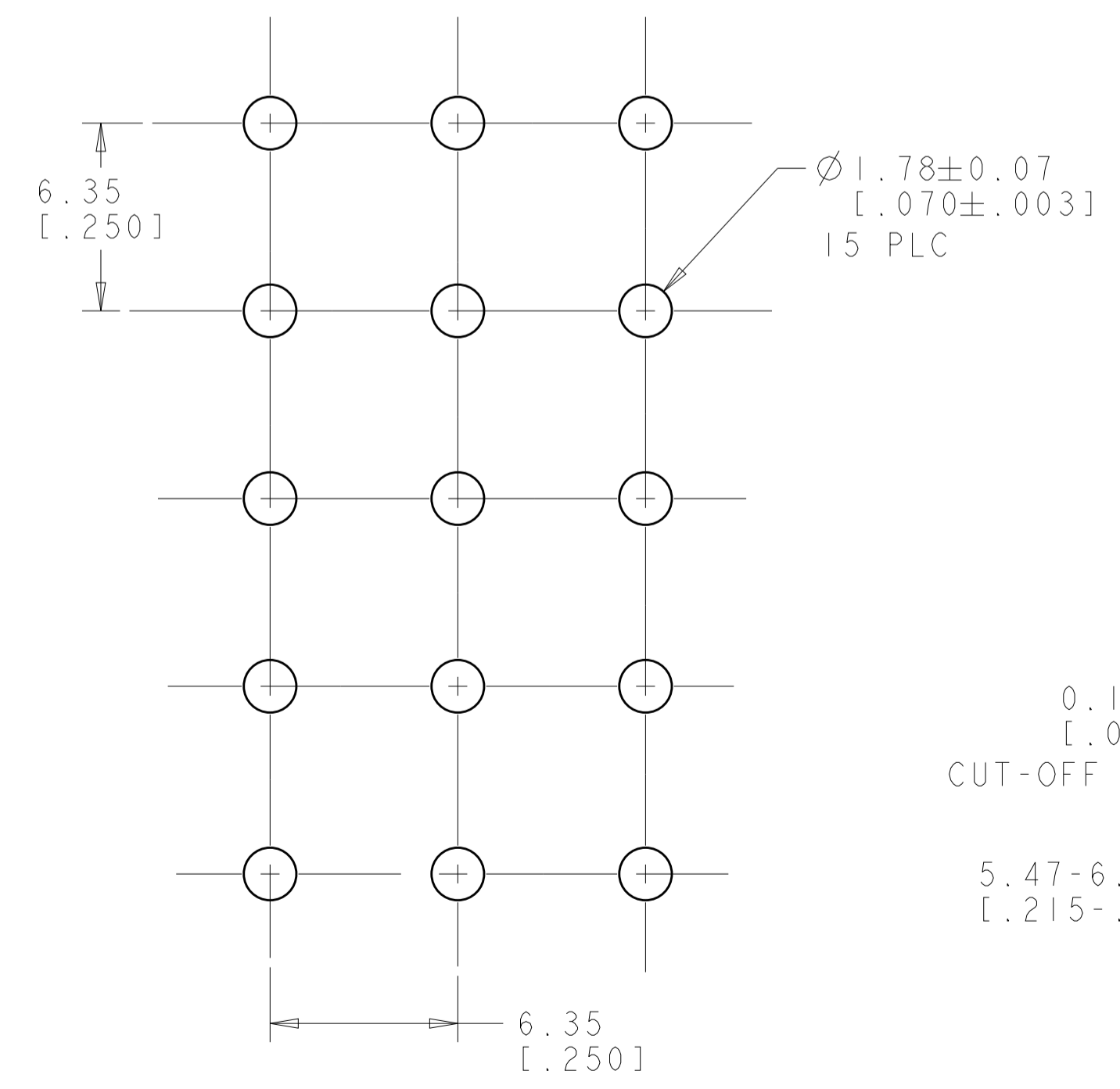


LOC	DIST	REVISIONS					
CM	00	P	LTN	DESCRIPTION	DATE	DWN	APVD
		R3		REVISED PER ECO-19-013980	10SEP2019	RS	SF

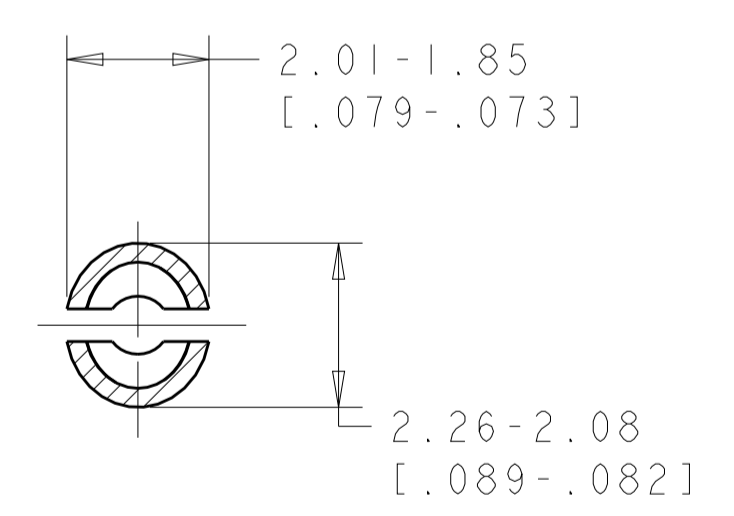
- MATES WITH HOUSING 480710.
- PARTS COMPLY TO AMP SOLDERABILITY SPECIFICATION 109-11-3.
- CONTACT IS PLATED OVERALL WITH 0.00127 [.000050] NICKEL, THEN 0.00076 [.000030] GOLD OVER CONTACT LENGTH INDICATED AND TIN LEAD ON SOLDER TAIL END.
- CIRCUIT IDENTIFICATION CHARACTERS ARE ADJACENT TO THE INDICATED CAVITIES, BUT LOCATION AND ORIENTATION MAY DIFFER FROM PRINT.
- CONTACT IS PLATED OVERALL WITH 0.00127 [.000050] NICKEL, THEN 0.00076 [.000030] GOLD OVER CONTACT LENGTH INDICATED AND MATTE TIN ON SOLDER TAIL END.
- DIMENSIONS IN BRACKETS ARE IN INCHES.
- OBsolete PARTS: OBSOLETE CIS STREAMLINING PER D.RENAUD/D.SINISI



3 DIMENSIONAL MODEL
SCALE 4:1



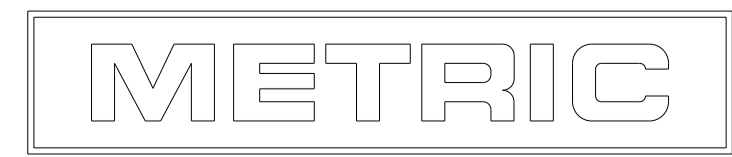
SECTION B-B



SECTION A-A
SCALE 10:1

	PIN CONTACT MATERIAL AND FINISH	HOUSING MATERIAL AND COLOR	PART NUMBER
	PHOSPOR BRONZE, PRE-TIN	NYLON, UL94V-2, BROWN	1-350588-1
⚠ OBSOLETE	PHOSPOR BRONZE, GOLD ⚠	NYLON, UL94V-2, NATURAL	350588-4
	PHOSPOR BRONZE, GOLD ⚠	NYLON, UL94V-2, NATURAL	350588-2
	PHOSPOR BRONZE, PRE-TIN	NYLON, UL94V-2, NATURAL	350588-1

RECOMMENDED MOUNTING HOLE PATTERN FOR 1.57 [.062] THICK P.C. BOARD HOLE THAT CORRESPONDS TO REMOVED CONTACT CAN BE OMITTED



DIMENSIONS: mm [INCHES]		TOLERANCES UNLESS OTHERWISE SPECIFIED: 0 PLC ± 1 PLC ±0.131 [.005] 2 PLC ± 3 PLC ± 4 PLC ± ANGLES 40°/30°		DWN R. WHITAKER 07SEP2005 CHK S. RIDGILL 07SEP2005 APVD S. RIDGILL 07SEP2005 PRODUCT SPEC APPLICATION SPEC WEIGHT FINISH SEE TABLE		Tyco Electronics Harrisburg, PA 17105-3608 NAME PIN HEADER ASSEMBLY, 15 CIRCUIT, UNIVERSAL MATE-N-LOK(TM) SIZE CAGE CODE DRAWING NO A1 00779 ©=350588 RESTRICTED TO CUSTOMER DRAWING SCALE 5:1 SHEET 1 OF 1 REV R3	
------------------------------	--	-----------------------------------------------------------------------------------------------------------------------------	--	------------------------------------------------------------------------------------------------------------------------------------------------------	--	-----------------------------------------------------------------------------------------------------------------------------------------------------------------------------------------------------------------------------------------------	--