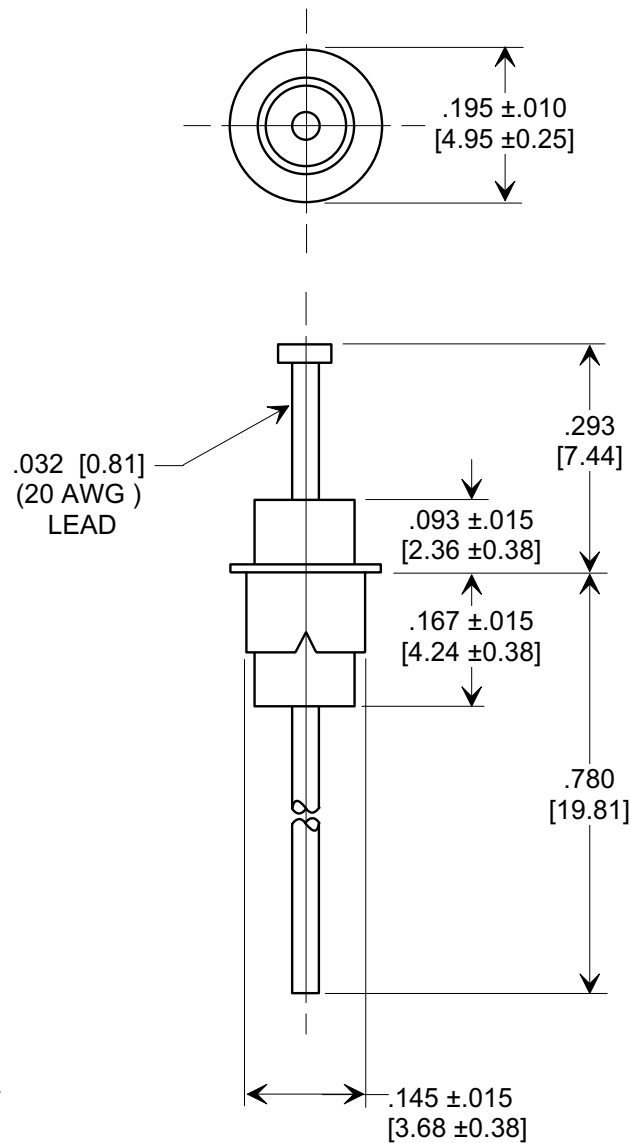
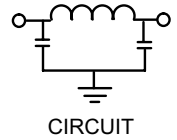
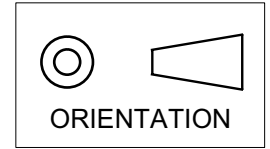


**MARKETING SALES DRAWING**  
**DIMENSIONS IN INCHES - DO NOT SCALE THIS DRAWING**  
**DIMENSIONS IN METRIC - [ ]**

Electrical Testing  
per Tusonix standard  
test plans and Mil-Std-202  
Test Methods.



**NOTES:**

- TUSONIX STANDARD PART NUMBER: 4101-002.  
TUSONIX RoHS COMPLIANT PART NUMBER: 4101-002 LF.  
CUSTOMER MUST SPECIFY STANDARD OR RoHS PART NUMBER WHEN ORDERING.
- RoHS COMPLIANT PART MARKED WITH GREEN DOT FOR IDENTIFICATION.

MIN. CAP. (pF)	WORKING VOLTAGE (WVdc)		CURRENT Idc.	I.R. MIN. @ 100 (VDC.)	DWV (VDC)	MINIMUM NO LOAD INSERTION LOSS (dB) AT 25°C PER MIL-STD-220			
	85°C	125°C				10MHz	100MHz	1GHz	10GHz
1750	250	125	10A	10 G Ω	500	5	50	60	60

<b>X-2015 Rev-0</b>	<b>REVISION RECORD</b>								<b>--TOLERANCES--</b> Unless Otherwise Specified		Title <b>EYELET STYLE EMI FILTER</b>	
	0	Original Release C.O.	1	DRAWING REVISED	2	LE 12-9-83	3	WAS SK6644-070-S LE 1-13-84				
	4	DIMS. AND TOL. REVSD., DWG. RELEASED LE 1-8-85	5	C.O. 1653	6	CURRENT UNIT "A" ADDED L.E. 8-20-85	7	C.O. 2595	ANGLES ±		Approved T.C. 2-26-97	
	8	RDRWN TO COMP. FRMT., RMVD WSHRS, CHGD DIMS. .093 WS .113, .167 WS .177 EC 2-26-97	9	970224-6	10	ADDED RED EPOXY COATING. S.M. 07-15-98	11	19980715-6-01	<b>TUSONIX</b> TUCSON, ARIZONA			<b>A</b>

# Mouser Electronics

Authorized Distributor

Click to View Pricing, Inventory, Delivery & Lifecycle Information:

[Tusonix / CTS:](#)

[4101-002LF](#)