

# Banana Plug - Uninsulated Panel Mount Screw Type, Nickel Silver Spring

**SPECIFICATIONS**

**Plug Body:** Brass per QQ-B-626D

**Plug Spring:** Nickel silver per QQ-C-585

**Finish:** Silver

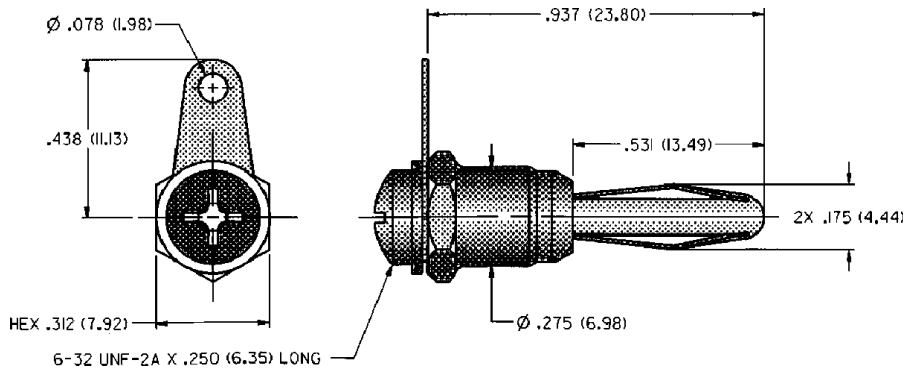
**Panel Thickness:** Up to .125 (3.20)

**Hardware:** Nickel plated screw,  
stamped tin plated solder  
terminal (unassembled)

**RATINGS**

**Current:** 15 amps

**Contact Resistance:** 0.010 ohms maximum



<b>NICKEL PLATING</b>
108-0753-001

For Standard Banana Jack:  $.166$  (4.23) Diameter

**FEATURES:**

- Rugged screw type
- Stamped tin plated solder terminal with hole for up to 14 gauge wire

# Mouser Electronics

Authorized Distributor

Click to View Pricing, Inventory, Delivery & Lifecycle Information:

[Cinch Connectivity Solutions:](#)

[108-0753-001](#)