

SPECIFICATIONS

ELECTRICAL

RESISTANCE VALUES \_\_\_\_\_ 1K,2K,5K,10K,20K,50K,100K OHMS(10 TURN)  
 500,1K,2K,5K,10K,20K,(3 AND 5 TURNS)  
 ±10%  
 RESISTANCE TOLERANCE \_\_\_\_\_ SEE CHART  
 INDEPENDENT LINEARITY \_\_\_\_\_ <0.015%(10 TURN), <0.05%(3 AND 5 TURN)  
 OUTPUT SMOOTHNESS \_\_\_\_\_ <3%(10 TURN), <5%(3 AND 5 TURN)  
 CONTACT VARIATION \_\_\_\_\_ SEE CHART  
 POWER RATING \_\_\_\_\_ SEE CHART  
 ELECTRICAL ANGLE \_\_\_\_\_ SEE CHART  
 END VOLTAGE \_\_\_\_\_ 0.3 % MAX.  
 RESOLUTION \_\_\_\_\_ ESSENTIALLY INFINITE  
 INSULATION RESISTANCE \_\_\_\_\_ 1000 MEGOHMS MIN. @ 500VDC  
 DIELECTRIC STRENGTH \_\_\_\_\_ 1000 VAC MIN.

MECHANICAL

MECHANICAL ANGLE \_\_\_\_\_ SEE CHART  
 STOP STRENGTH \_\_\_\_\_ 48 OZ.IN.  
 STARTING TORQUE \_\_\_\_\_ LESS THAN 0.7 OZ.INCHES  
 ROTATIONAL LIFE \_\_\_\_\_ 10,000,000 (10TURN)  
 5,000,000 (3 AND 5 TURN)  
 WEIGHT \_\_\_\_\_ 0.8 OZ.

ENVIRONMENTAL

OPERATING TEMPERATURE \_\_\_\_\_ -55° TO +105°C  
 TEMPERATURE COEFFICIENT \_\_\_\_\_ ±100 P.P.M./°C  
 VIBRATION \_\_\_\_\_ 10Hz TO 2,000Hz 15G  
 MOISTURE RESISTANCE \_\_\_\_\_ 40°C95%RH 120 HOURS  
 SHOCK \_\_\_\_\_ 50G 11ms

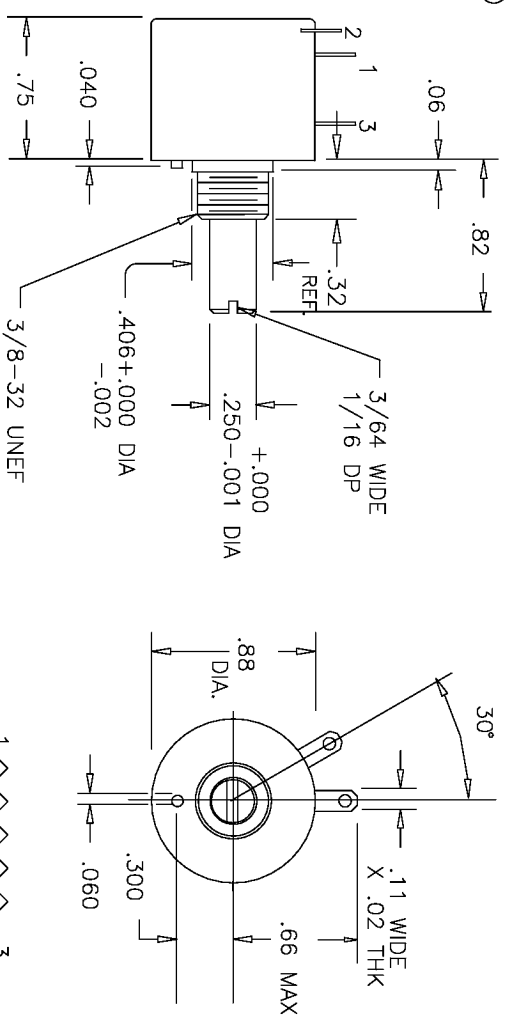
NON-STANDARDS AVAILABLE

MULTI-GANGED UP TO 6 SECTIONS  
 REAR SHAFT EXTENSION  
 FRONT SHAFT MODIFICATIONS  
 SERVO MOUNTING  
 NON STANDARD LINEARITY

MATERIALS

HOUSING-----HIGH TEMP. THERMO PLASTIC  
 TERMINALS-----GOLD PLATED BRASS  
 BUSHING-----BRASS  
 SHAFT-----STAINLESS STEEL  
 RESISTIVE ELEMENT-----HYBRID

REV.	BY	DATE	PART NO.
D	BT	03-05	MH22B

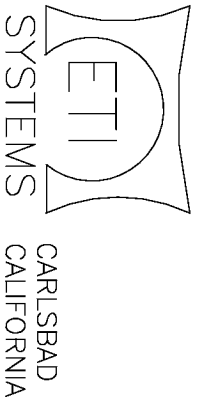


NO. OF TURNS	MODEL	ELECTRICAL ANGLE	MECHANICAL ANGLE	LINEARITY INDEPENDENT	POWER RATING
3	MH22B-3	1080°±5°	1080°+10°/0°	±0.5%	1 WATT
5	MH22B-5	1800°±5°	1800°+10°/-0°	±0.35%	1 WATT
10	MH22B-10	3600°±5°	3600°+10°/-0°	±0.25%	2 WATT

THIS DOCUMENT CONTAINS PROPRIETARY DATA OF POLARIS INDUSTRIAL ENTERPRISES, INC. NO DISCLOSURE, REPRODUCTION, OR USE OF ANY PART THERE OF MAY BE MADE EXCEPT BY WRITTEN PERMISSION.

TITLE

HYBRID MULTI-TURN POTENTIOMETER



PART NO.

MH22B

TOLERANCES

XX = +/- .010" FRACT. = +/- 1/64"  
 XXX = +/- .005" ANGLES = +/- 1/2°

ALL SPECIFICATIONS SUBJECT TO CHANGE WITHOUT NOTICE.

SCALE	NONE
DATE:	10-1-88
BY	G.L.S.
APPRV'D	BT
CODE IDENT:	19477

# Mouser Electronics

Authorized Distributor

Click to View Pricing, Inventory, Delivery & Lifecycle Information:

## ETI Systems:

[MH22B-10-10K](#) [MH22B-10-1K](#) [MH22B-10-2K](#) [MH22B-10-5K](#) [MH22B-3-10K](#) [MH22B-3-1K](#) [MH22B-3-5K](#) [MH22B-5-1K](#) [MH22B-5-5K](#) [MH22B-5-10K](#) [MH22B-10-BB-5K](#) [MH22B-3SB-500](#) [MH22B-10-20K](#) [MH22B-5-500](#)