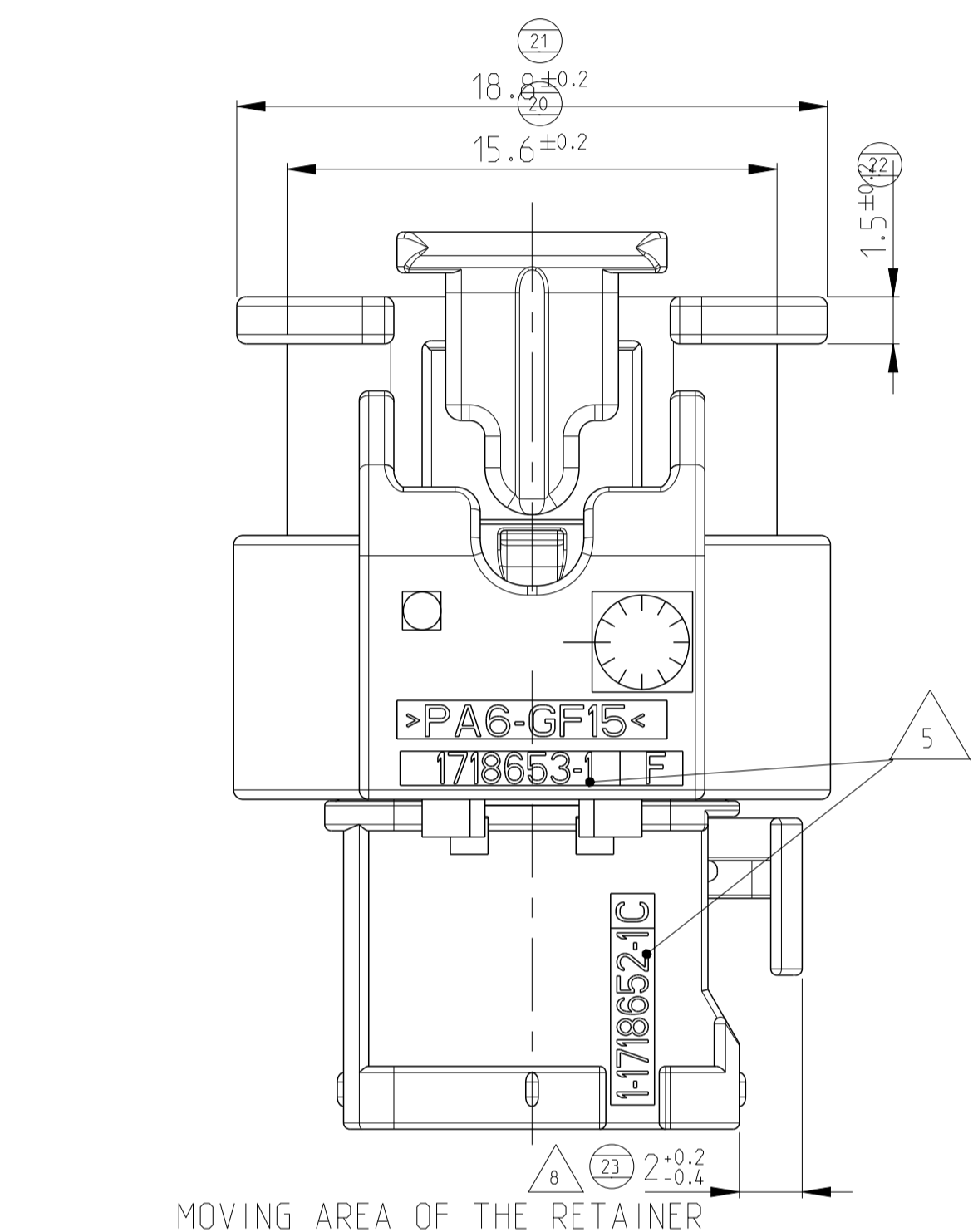
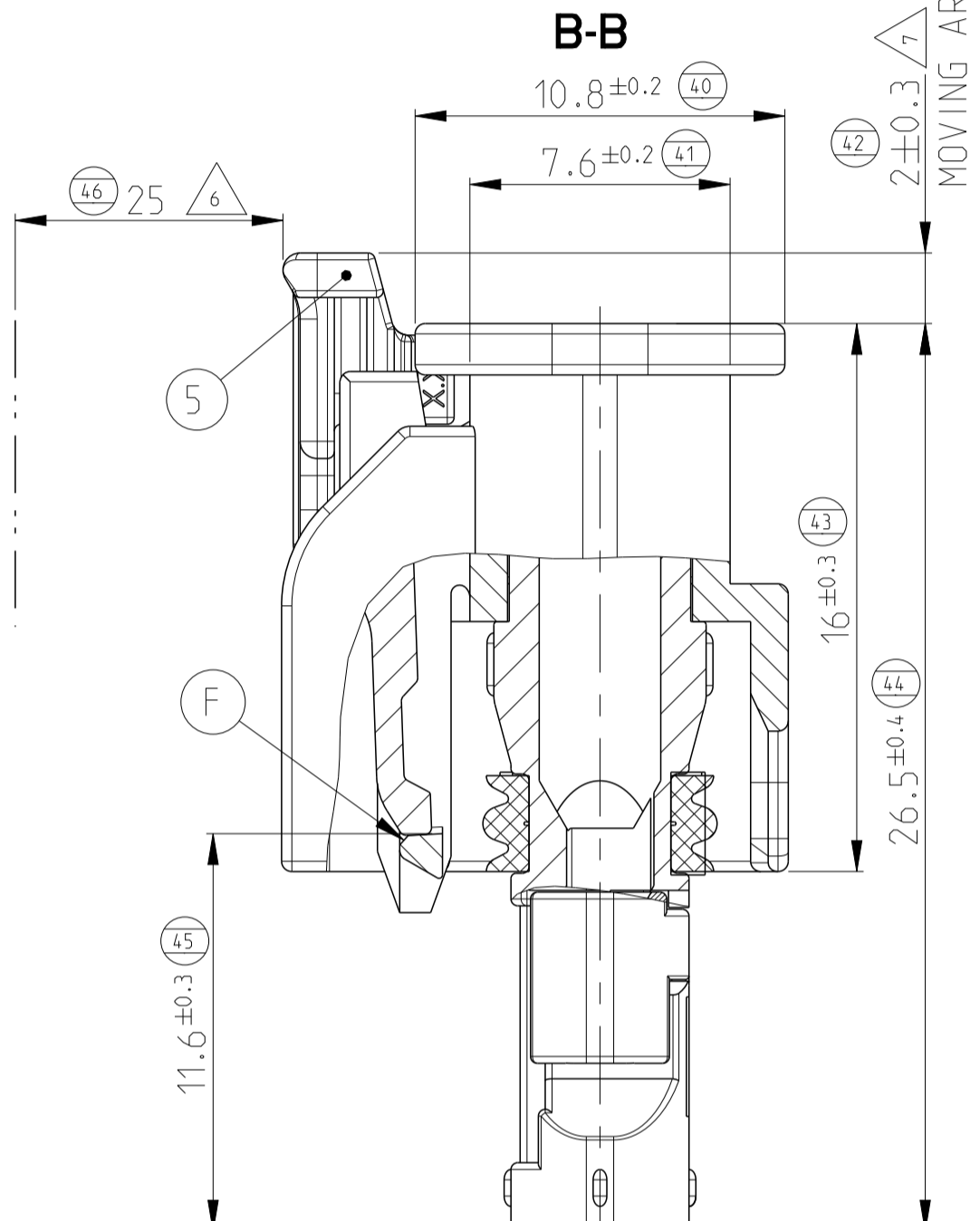
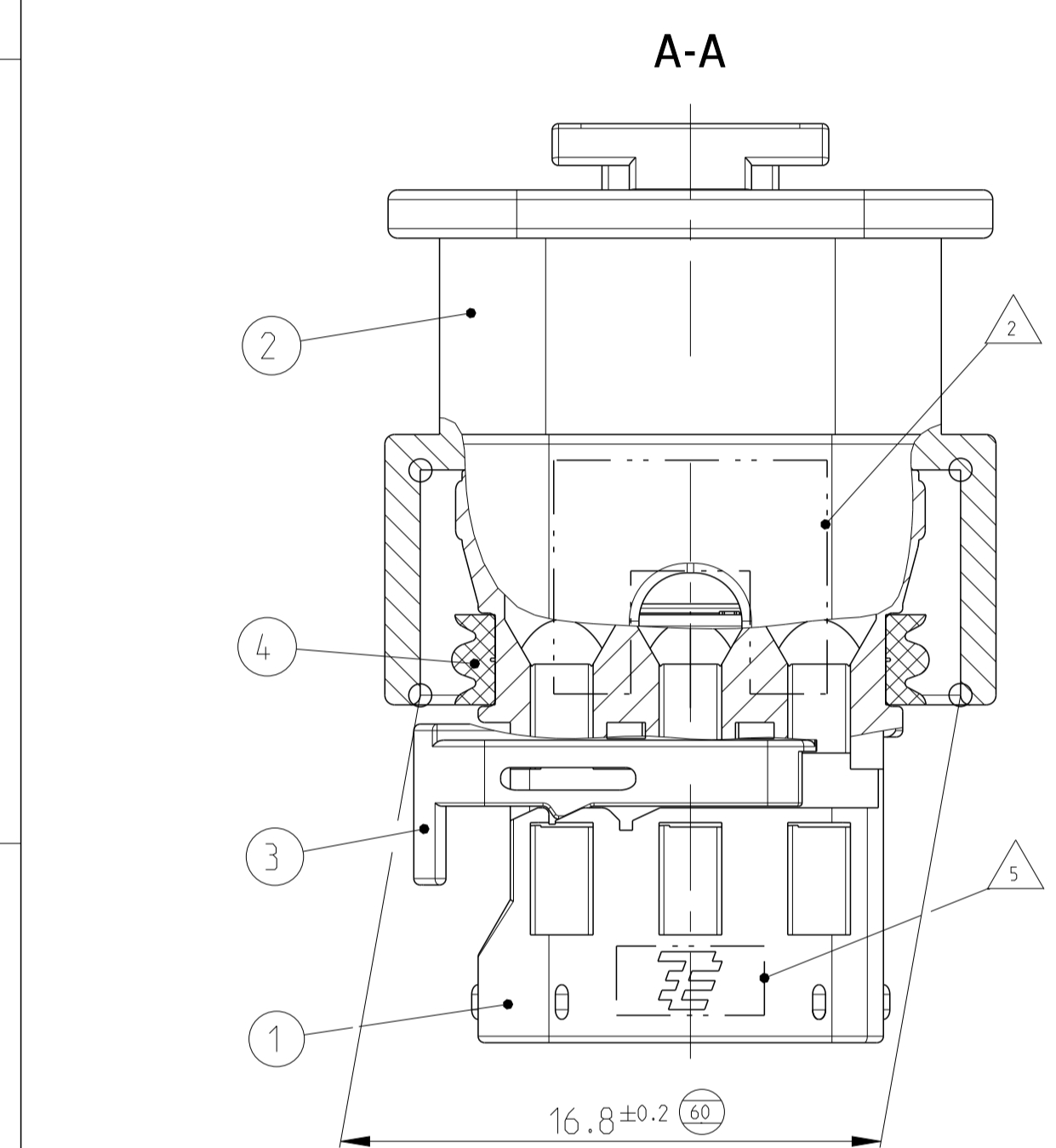
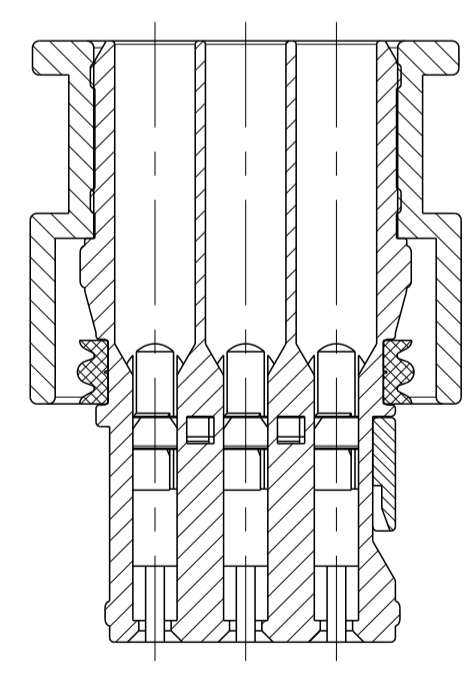


- NOTES:**
Bemerkungen:
- ONLY THE GERMAN LANGUAGE VERSION IS AUTHORITY. Massgebend ist nur der deutsche Text.
 - AREA FOR PRINT. Bereich für Bedruckung.
 - USABLE CONTACTS MCON 1.2 LL. SEE TE-NO. 1452674. Verwendbare Kontakte MCON 1.2 LL siehe TE-Zeichnung 1452674.
 - MAX. WIRE SIZE RANGE 1.0 mm² FLR PERMITTED FOR CAVITY-Ø 3.55MM. QUANTITY SEE WIRE HARNESS DRAWING FOR PERMISSIBLE CURRENT CARRYING CAPACITY OF THE SINGLE CONTACT. SEE PRODUCT SPECIFICATION NO.108-18782 max. zulässiger Leitungsquerschnitt 1,0 mm² FLR, für Kammer-Ø 3,55mm die Stückzahl ist im Leitungssatz festgelegt die zulässige Strombelastbarkeit für die einzelnen Kontakte ist der Spezifikation 108-18782 zu entnehmen.
 - SUPPLIER-MARK. Lieferantenkennzeichnung.
 - SPACE OF ACTIVITY. Befähigungsfreiraum.
 - SUPPLY CONDITION: CPA IN PRELOCKED POSITION. Auslieferungszustand: Gehäusesicherung in Vorraststellung.
 - SUPPLY CONDITION: RETAINER IN PRELOCKED POSITION. Auslieferungszustand: Zweite Kontaktsicherung in Vorraststellung.
 - WARPAGE PERMITTED TO MAX. -0.5mm. Verzug zulaessig bis max. -0.5mm.
 - TE ORDER-NO. TE Bestell-Nr.
 - ACCORDING TO INTERFACE DRAWING SEE TE-NO. 114-18679-3. Passend zur Schnittstellen-Zeichnung siehe TE-Nr. 114-18679-3.
 - VAR II: TEMPERATURE RESISTANCE OF PLASTIC PARTS 150 °C. VAR II: Temperaturbeständigkeit der Kunststoffteile 150 °C.
 - ASSEMBLY LINE SEGMENT IDENTIFICATION. Markierung für Segment der Assembly Anlage.
 - DATE CODE (DDYY). Datum Kodierung (TTJJ).
 - DIVERGENT MARKING FOR PARTS FROM CHINESE AND U.S. PRODUCTION. Abweichende Beschriftung zulaessig fuer Teile aus China und U.S. -Produktion.

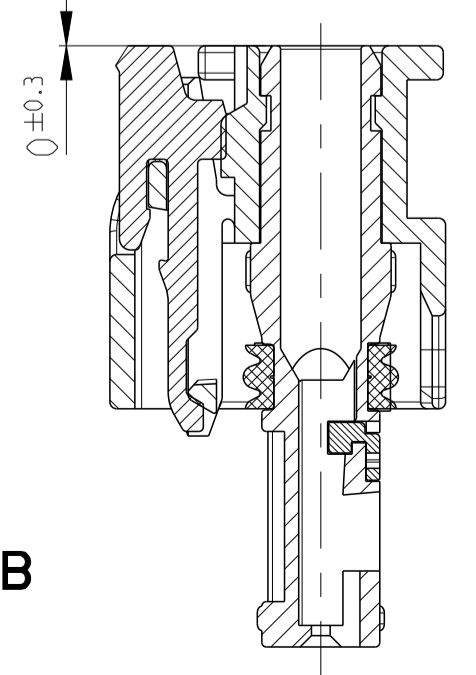


| TE-ORDER-NO. | COD | DESCRIPTION | REV | QTY | DESCRIPTION | MATERIAL | SURFACE/COLOUR | ITEM | VAR |
|--------------|-----|--------------------------------------|-----|-----|-----------------------------------|-----------|------------------------|------|-----|
| 4-1718644-1 | C | 3pos. MCON 1.2 - LL Connector Sealed | A | 1 | MCON 1.2 - CPA | PA46-GF15 | GRAY SIML. RAL 7037 | 5 | I |
| | | | | 1 | 3pos. MCON 1.2 - Seal | MVQ | NATURE | 4 | |
| | | | | 1 | 3pos. MCON 1.2 - Retainer | PA66-GF15 | VIOLETT SIML. RAL 4006 | 3 | |
| | | | | 1 | 3pos. MCON 1.2 - Protection Cover | PA6-GF15 | BLACK SIML. RAL 9011 | 2 | |
| | | | | 1 | 3pos. MCON 1.2 - Recepticle Hsg. | PA66-GF30 | VIOLETT SIML. RAL 4006 | 1 | |
| 2-1718644-5 | B | 3pos. MCON 1.2 - LL Connector Sealed | A | 1 | MCON 1.2 - CPA | PA46-GF15 | GRAY SIML. RAL 7037 | 5 | II |
| | | | | 1 | 3pos. MCON 1.2 - Seal | MVQ | GREEN | 4 | |
| | | | | 1 | 3pos. MCON 1.2 - Retainer | PA66-GF15 | VIOLETT SIML. RAL 4006 | 3 | |
| | | | | 1 | 3pos. MCON 1.2 - Protection Cover | PA46 | BLACK SIML. RAL 9011 | 2 | |
| | | | | 1 | 3pos. MCON 1.2 - Recepticle Hsg. | PA66-GF30 | NATURE | 1 | |
| 1-1718644-5 | A | 3pos. MCON 1.2 - LL Connector Sealed | D | 1 | Gehäusesicherung CPA | PA46-GF15 | GRAY SIML. RAL 7037 | 5 | II |
| | | | | 1 | 3pos. MCON 1.2 - Seal | MVQ | GREEN | 4 | |
| | | | | 1 | 3pos. MCON 1.2 - Retainer | PA66-GF15 | VIOLETT SIML. RAL 4006 | 3 | |
| | | | | 1 | 3pos. MCON 1.2 - Protection Cover | PA46 | BLACK SIML. RAL 9011 | 2 | |
| | | | | 1 | 3pos. MCON 1.2 - Recepticle Hsg. | PA66-GF30 | BLACK SIML. RAL 9011 | 1 | |
| 2-1718644-1 | B | 3pos. MCON 1.2 - LL Connector Sealed | F | 1 | MCON 1.2 - CPA | PA46-GF15 | GRAY SIML. RAL 7037 | 5 | I |
| | | | | 1 | 3pos. MCON 1.2 - Seal | MVQ | NATURE | 4 | |
| | | | | 1 | 3pos. MCON 1.2 - Retainer | PA66-GF15 | VIOLETT SIML. RAL 4006 | 3 | |
| | | | | 1 | 3pos. MCON 1.2 - Protection Cover | PA6-GF15 | BLACK SIML. RAL 9011 | 2 | |
| | | | | 1 | 3pos. MCON 1.2 - Recepticle Hsg. | PA66-GF30 | NATURE | 1 | |
| 1-1718644-1 | A | 3pos. MCON 1.2 - LL Connector Sealed | F | 1 | MCON 1.2 - CPA | PA46-GF15 | GRAY SIML. RAL 7037 | 5 | I |
| | | | | 1 | 3pos. MCON 1.2 - Seal | MVQ | NATURE | 4 | |
| | | | | 1 | 3pos. MCON 1.2 - Retainer | PA66-GF15 | VIOLETT SIML. RAL 4006 | 3 | |
| | | | | 1 | 3pos. MCON 1.2 - Protection Cover | PA6-GF15 | BLACK SIML. RAL 9011 | 2 | |
| | | | | 1 | 3pos. MCON 1.2 - Recepticle Hsg. | PA66-GF30 | BLACK SIML. RAL 9011 | 1 | |

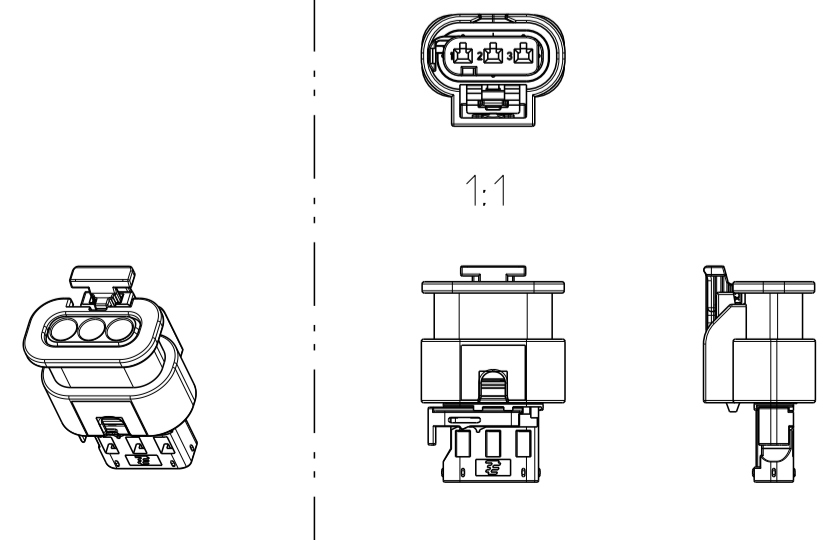
RETAINER IN END POSITION



CPA IN END POSITION



3D VIEW 1:1



| | | | | |
|--|--|---|-----------------------------|--|
| THIS DRAWING IS A CONTROLLED DOCUMENT. DATE: 13JAN2005. CHG: A. Schroebel. | | OWN: L. Abbate. 18OCT2004. 13JAN2005. | | TE Connectivity |
| DIMENSIONS: MASSMEßEN (MM). FINISHES: FINISHES (µm). MATERIAL: -. | | APVD: J. Woller. PRODUCT SPEC: 108-18969. APPLICATION SPEC: VERABREITUNGSSPEZ. 114-18861. | | NAME: 3pos. MCON 1.2 - LL Connector, Sealed. |
| WEIGHT: 3 g. CUSTOMER DRAWING: -. | | SIZE: A1. CAGE CODE: 00779. DRAWING NO: 1718644. | SCALE: 15:1. SHEET: 1 OF 1. | REV: F6. |

Mouser Electronics

Authorized Distributor

Click to View Pricing, Inventory, Delivery & Lifecycle Information:

[TE Connectivity:](#)

[1-1718644-1](#) [1-1718644-5](#)