
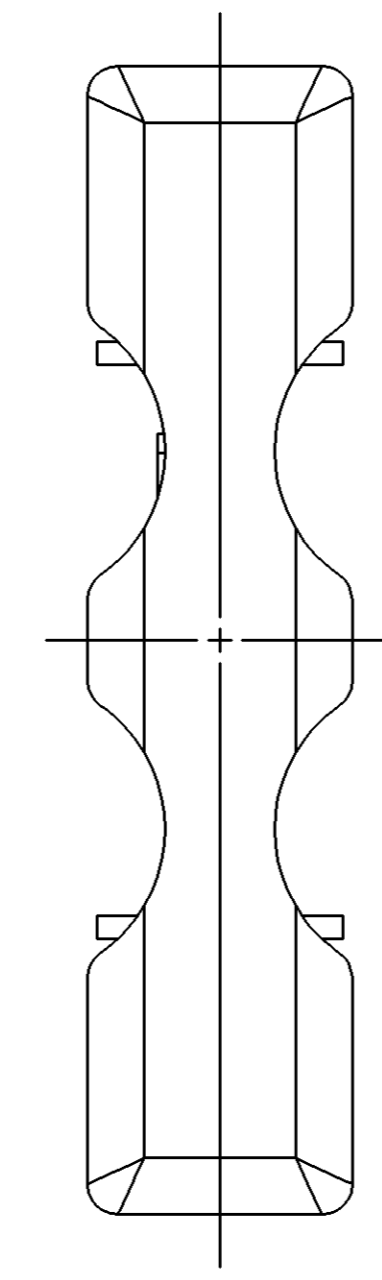
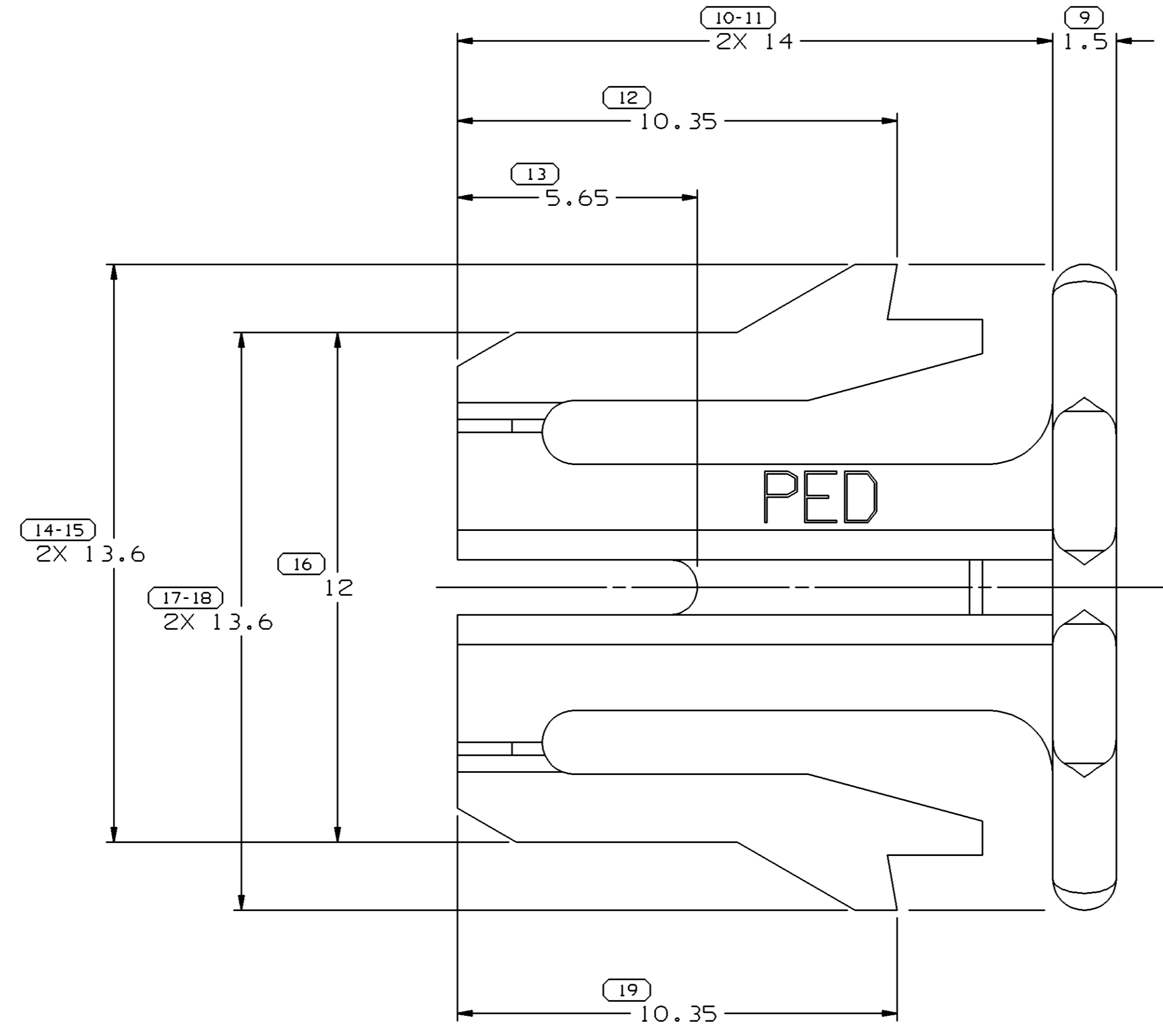
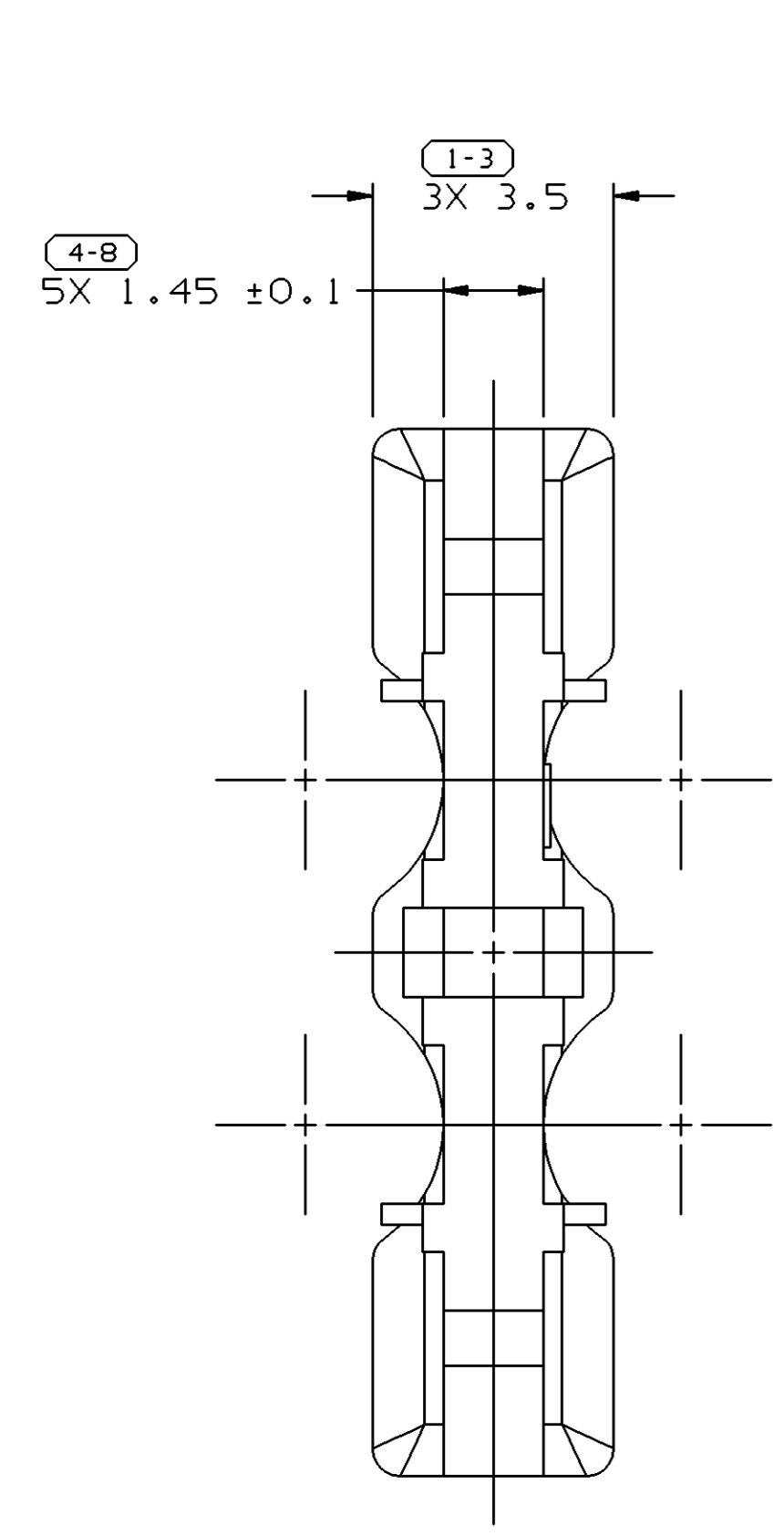
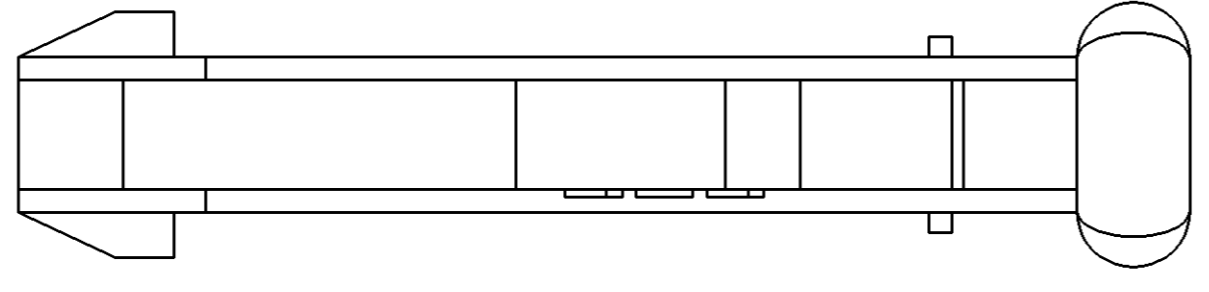


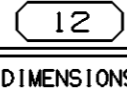
SYMBOL DEFINITION		MISSING NUMBERS	
A DIMENSION WITHOUT AN INSPECTION REPORT SYMBOL  DOES NOT REQUIRE INSPECTION. IT MAY BE CONTROLLED ON AN INDIVIDUAL COMPONENT DRAWING.	TOTAL NO. OF SYMBOLS ON DRAWING	10	
	LAST NO. USED	19	

DWG STATUS					ZONE	REVISION HISTORY			AUTH	DR	APVD1	APVD2
DATE	STG	REV	N/P	CHG								
28JL04	R	02	AB	-		CLEARED REV COLUMN; UPDATED FORMAT; UPDATED MATERIAL SPEC AND UPDATED PDM ATTRIBUTES			257141	EES	EES	TM

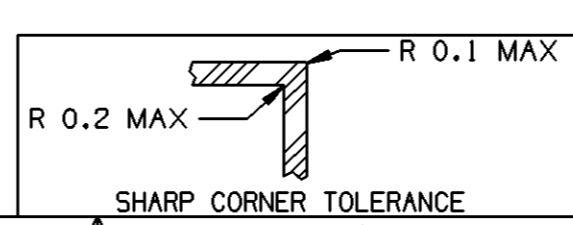


NOTES

- UNLESS OTHERWISE SPECIFIED AND/OR INDICATED: DIMENSIONS ARE TO FACE OF VIEW SHOWN AND AUTOMATICALLY ROUNDED BY COMPUTER FOR INSPECTION. (SEE MATH MODEL FOR PRECISE DIMENSIONS.) FOR ALL OTHER DIMENSIONS NOT SHOWN BUT REQUIRED FOR TOOL BUILD, SEE MATH MODEL FOR PRECISE TOOL PATH DATA.
- MATING COMPONENTS OR EQUIVALENT: CONNECTOR 12129081
- THIS PART IS NOT CONTROLLED FOR AUTOMATIC FEEDING.

 PROCESS SENSITIVE DIMENSION

DIMENSIONS ENCLOSED IN () INDICATE REFERENCE DIMENSIONS AND NO TOLERANCE LIMITS ARE ESTABLISHED



DIMENSIONAL RANGE (MM)		TOLERANCE UNLESS OTHERWISE SPECIFIED		ANGULAR TOLERANCE ±2°	
FROM	TO				
> 0	> 20	±0.15	±0.2	±0.3	±0.4
> 20	> 30			±0.5	±0.6
> 30	> 70			±0.6	±0.8
> 70	> 100			±1	±1.2
> 100	> 150				
> 150	> 200				
> 200	> 250				
> 250	> 300				
> 300	> 400				

DWG TYPE PART DRAWING	
STYLE	
VOLUME (CM³) 0.249	DISTR CODE D
ROUTING 6900	
UNLESS OTHERWISE SPECIFIED THIS DOCUMENT IS IN ACCORDANCE WITH ASME Y14.5M-1994 AS AMENDED BY THE GM GLOBAL DIMENSIONING AND TOLERANCING ADDENDUM-2001. SEPARATE PATTERNS OF FEATURES MAY BE GAGED SEPARATELY REGARDLESS OF DATUM REFERENCES.	
ALL DIMENSIONS ARE IN MILLIMETERS	
THIRD ANGLE PROJECTION	
DO NOT SCALE	
USE MATH DATA	

DELPHI
DELPHI PACKARD ELECTRIC SYSTEMS
WARREN, OH

DR	DATE
APVD1 J.C. ORTIZ	19JL99
APVD2 G. IZQUIERDO	28JL99
APVD3 G. IZQUIERDO	28JL99
APVD4	
APVD5	

SUBSTANCES OF CONCERN AND RECYCLED CONTENT PER DELPHI 10949001

MATERIAL
M3592012 PA66 HS IM GRA LT

DRAWING NAME
LOCK TPA M/P 280 2 GRA LT

DRAWING NUMBER
12129083

SIZE	SCALE	FRAME NO	SHEET NO	STG	REV	N/P	AB
A1	10:1	1 OF 1	1 OF 1	R	02	AB	

Mouser Electronics

Authorized Distributor

Click to View Pricing, Inventory, Delivery & Lifecycle Information:

[Aptiv:](#)

[12129083](#)