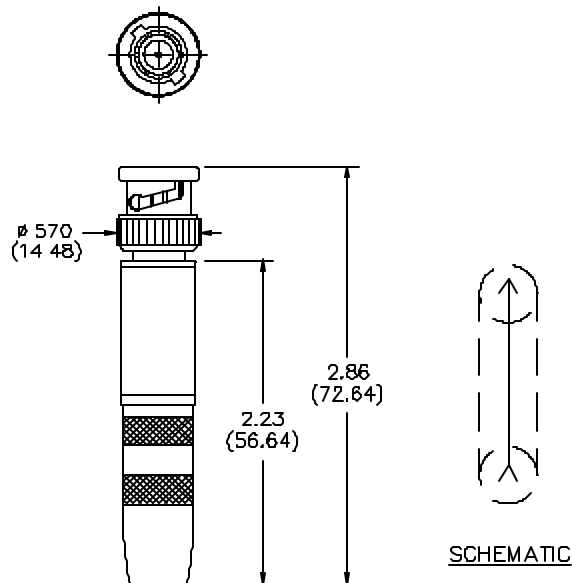


Model 4043 Adapter – BNC Male To 2 Conductor Standard Phone Jack



FEATURES:

- Permits a standard 2 conductor 6.4 (.250) dia. phone plug to be used with equipment having BNC female.
- All metal construction to insure proper shielding.

MATERIALS:

Upper Conn.: BNC Male.

Finish: Body and Fittings, Tarnish Resistant.

Center Contact: Gold plated per requirements of MIL-C-39012.

Body:

Material: Brass per QQ-B-626, Alloy 360, 1/2 Hard.

Finish: Nickel plated per QQ-N-290, Class 2, 200/300 microinches.

Lower Conn: Standard Phone Jack, 2 Conductor, Shielded.

Material: Brass.

Finish: Nickel plated.

RATINGS:

Operating Temperature: +257°F. (+125°C.) Max.

Operating Voltage: 500 VRMS.

ORDERING INFORMATION: Model 4043

All dimensions are in inches. Tolerances (except noted): .xx = ±.02" (.51 mm), .xxx = ± .005" (.127 mm).

All specifications are to the latest revisions. Specifications are subject to change without notice.

Registered trademarks are the property of their respective companies. Made in USA

Mouser Electronics

Authorized Distributor

Click to View Pricing, Inventory, Delivery & Lifecycle Information:

[Pomona:](#)

[4043](#)