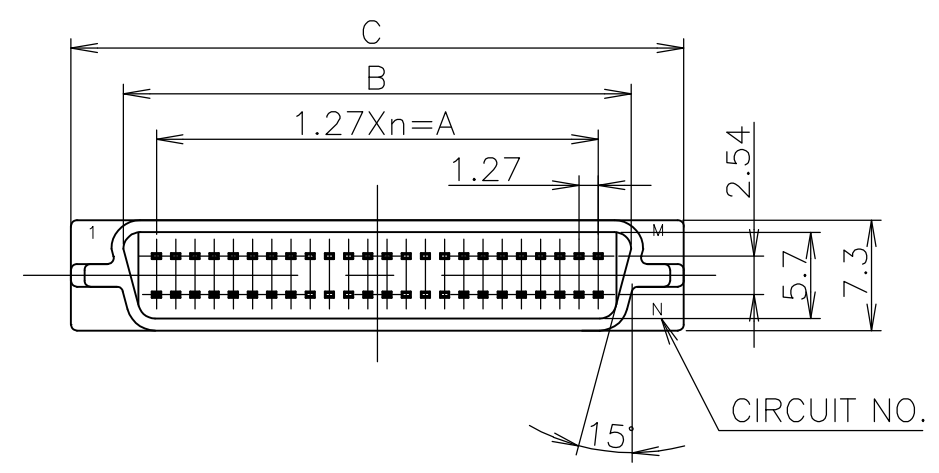
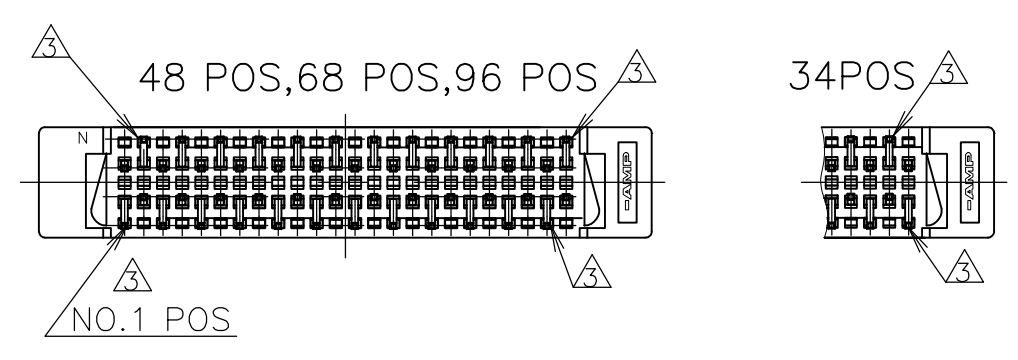
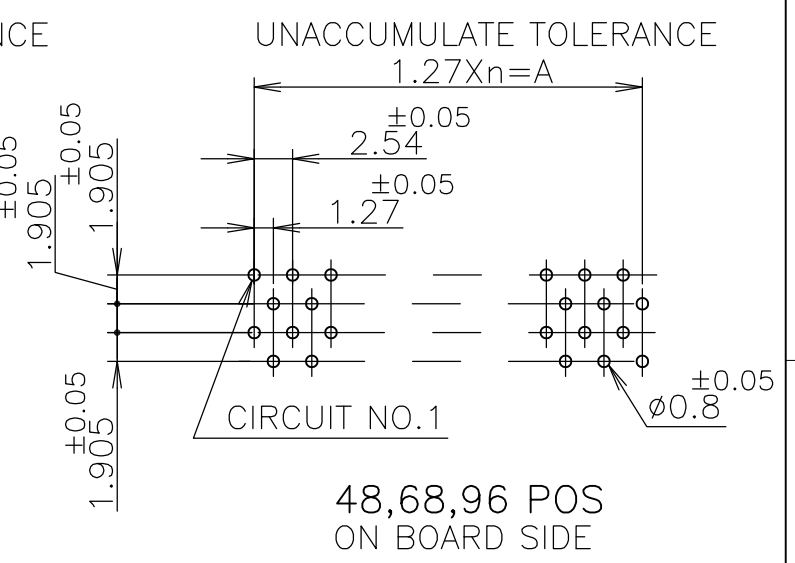
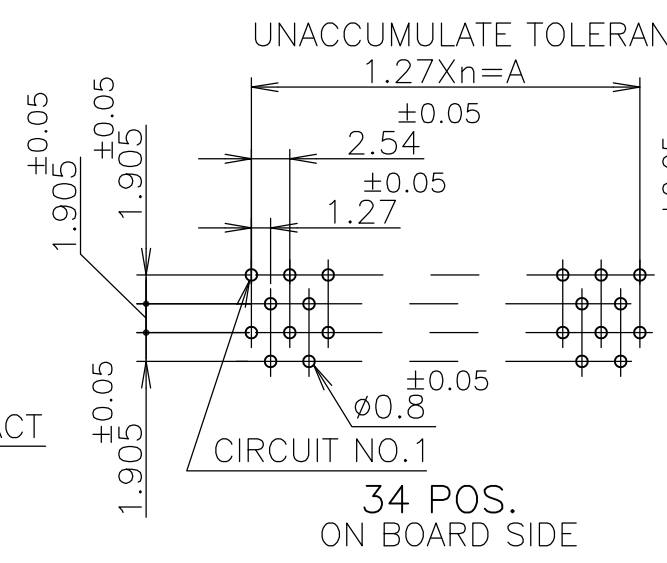
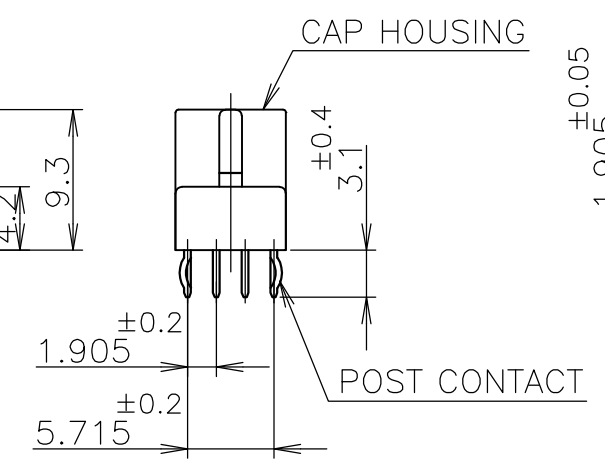
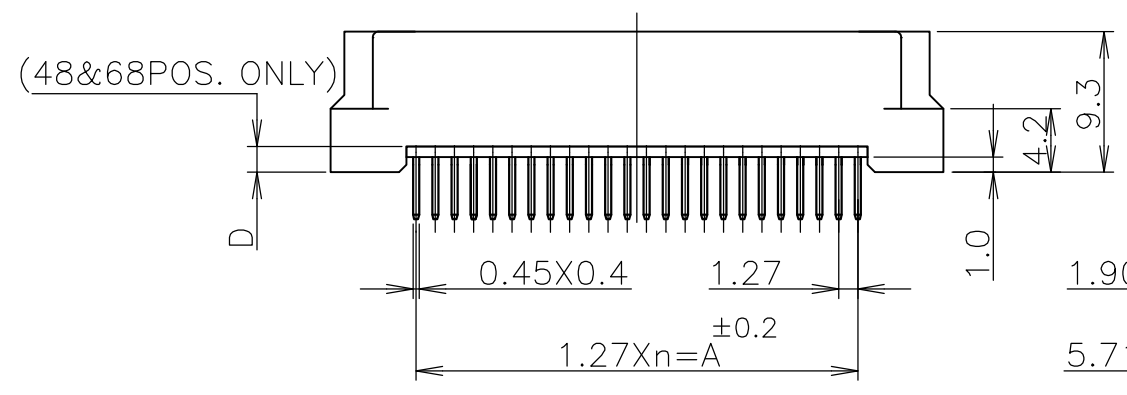


THIS DRAWING IS UNPUBLISHED. RELEASED FOR PUBLICATION AUG, 2005.  
 © COPYRIGHT 2005 By - ALL RIGHTS RESERVED.

| LOC | DIST | REVISIONS |     |                           |           |     |      |
|-----|------|-----------|-----|---------------------------|-----------|-----|------|
| J   | /    | P         | LTR | DESCRIPTION               | DATE      | DWN | APVD |
|     |      | R         |     | REVISED PER ECO-15-002720 | 02MAR2015 | AP  | SB   |



- 1 MATERIAL AND FINISH  
 CAP HOUSING ; THERMOPLASTIC (UL94V-0) COLOR:BLACK  
 POST CONTACT ; COPPER ALLOY FINISH,OVER NICKEL  
 MATING END:0.0002 MIN. OR 0.00076 MIN. GOLD  
 TERMINATION END:TIN OVER SEALING TREATMENT.
- 2 P.C.B. LAYOUT AND P.C.B. TREATMENT(REF.)  
 USE A P.C.B. SURFACE ARE TREATED WITH SOLDER RESIST.
- 3 KINK POSITIONS(4 POSITIONS).
- 4 OBSOLETE PARTS: OBSOLETE CIS STREAMLINING PER D.RENAUD/D.SINISI



| REMARK     | N  | M  | A     | B     | C     | D   | n  | POS. | PART NO.  |
|------------|----|----|-------|-------|-------|-----|----|------|-----------|
| 4 OBSOLETE | 96 | 48 | 59.69 | 64.06 | 71.00 | —   | 47 | 96   | 6- -8     |
| OBSOLETE   | 68 | 34 | 41.91 | 46.28 | 53.22 | 1.7 | 33 | 68   | 6- -7     |
|            | 48 | 24 | 29.21 | 33.58 | 40.52 | 1.7 | 23 | 48   | 6- -6     |
|            | 34 | 17 | 20.32 | 24.69 | 31.63 | —   | 16 | 34   | 6- -5     |
|            | 96 | 48 | 59.69 | 64.05 | 71.00 | —   | 47 | 96   | -8        |
|            | 68 | 34 | 41.91 | 46.28 | 53.22 | 1.7 | 33 | 68   | -7        |
|            | 48 | 24 | 29.21 | 33.58 | 40.52 | 1.7 | 23 | 48   | -6        |
| 4 OBSOLETE | 34 | 17 | 20.32 | 24.69 | 31.63 | —   | 16 | 34   | 5174683-5 |

GENERAL TOLERANCE  
 一般公差  
 10 ≥ : ±0.2  
 30 ≥ > 10: ±0.25  
 100 ≥ > 30: ±0.3  
 ANGLES: ±3°

THIS DRAWING IS A CONTROLLED DOCUMENT.

DIMENSIONS: 単位: 耗 mm

TOLERANCES UNLESS OTHERWISE SPECIFIED: 一般公差

0 PLC ± -  
 1 PLC ± -  
 2 PLC ± -  
 3 PLC ± -  
 4 PLC ± -  
 ANGLES ± -

MATERIAL 材料

FINISH 仕上

DWN T.KAWAMAE 04AUG05  
 CHK T.SASAKI 04AUG05  
 APVD T.SASAKI 04AUG05

PRODUCT SPEC 製品規格  
 APPLICATION SPEC 取付適用規格

WEIGHT

CUSTOMER DRAWING

SCALE 尺度 2:1

SHEET 1 OF 1

REV R

RESTRICTED TO

STE TE Connectivity

NAME 名称 CAP ASSY VERTICAL (W/KINK)  
 AMPLIMITE 050 SERIES I B-TO-B CONN.

SIZE A3 CAGE CODE 00779 DRAWING NO 番号 C-5174683

# Mouser Electronics

Authorized Distributor

Click to View Pricing, Inventory, Delivery & Lifecycle Information:

[TE Connectivity:](#)

[5174683-8](#)