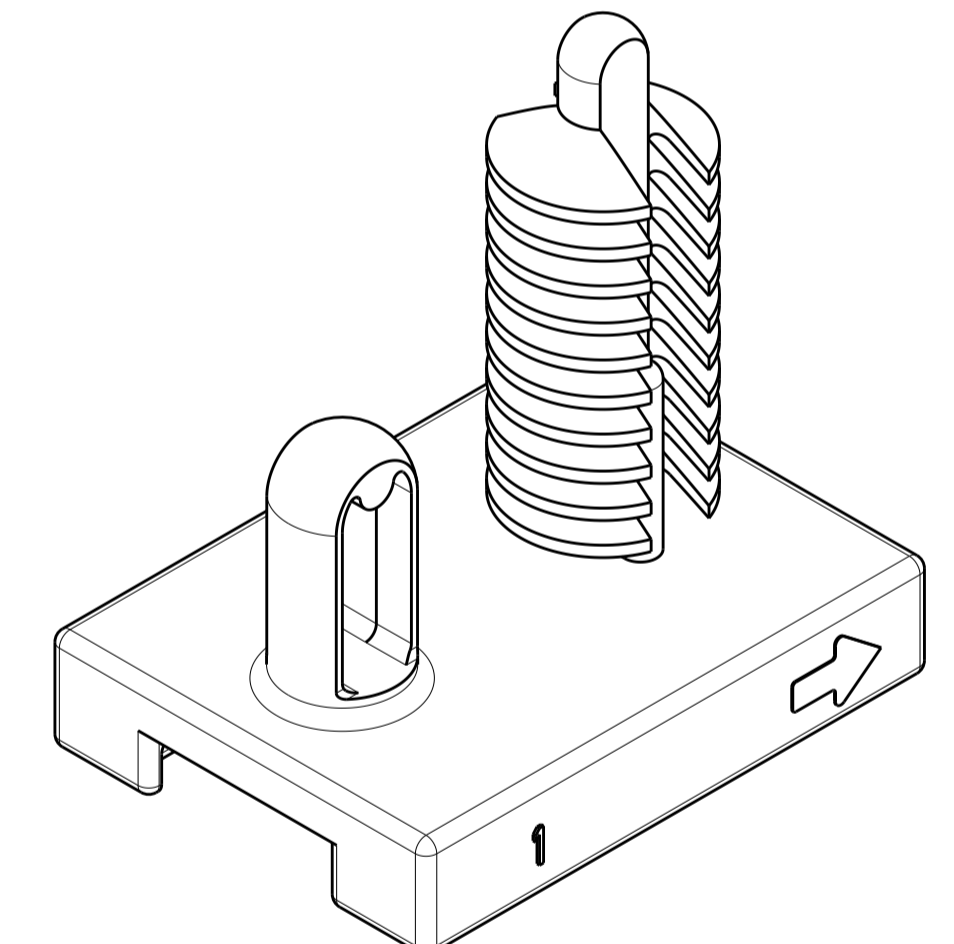
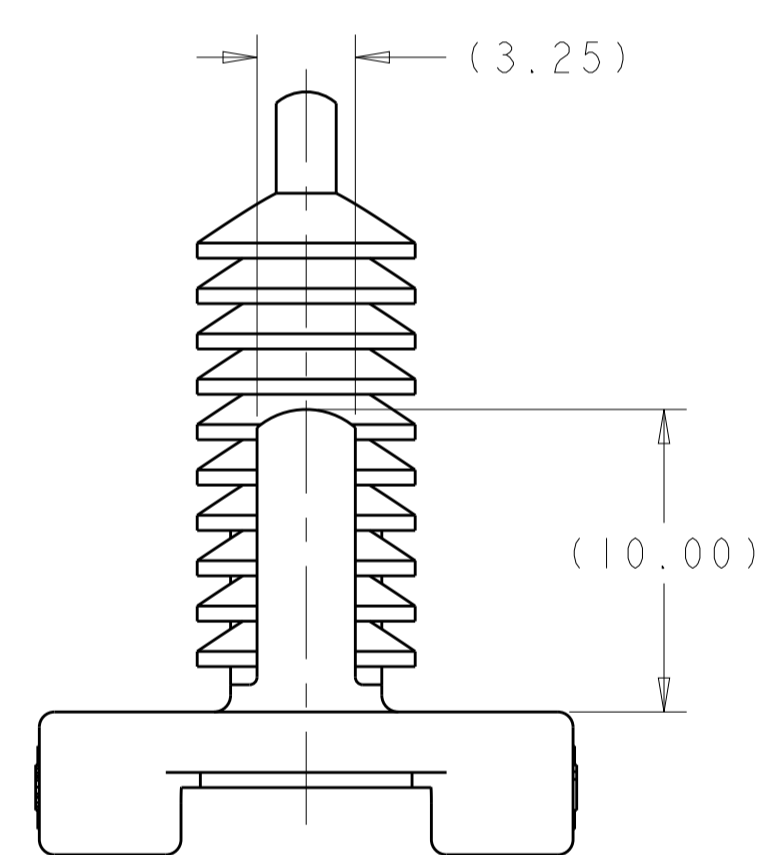
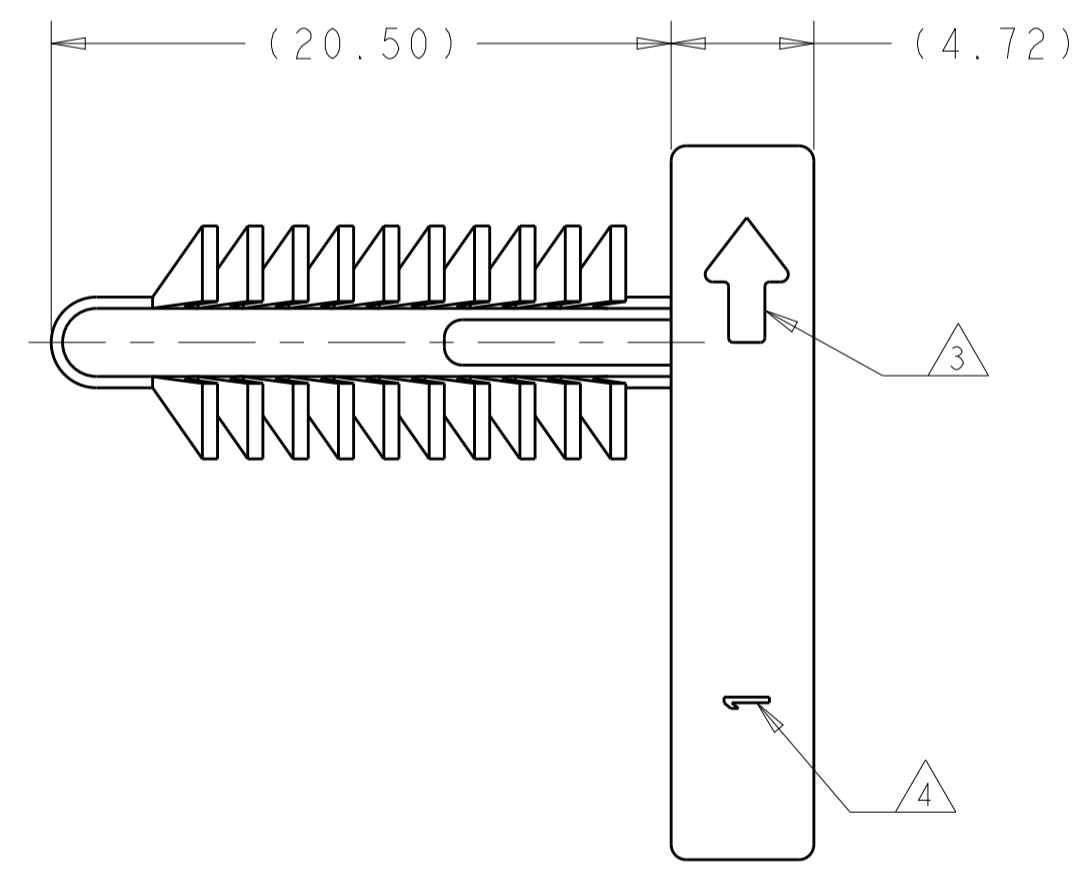
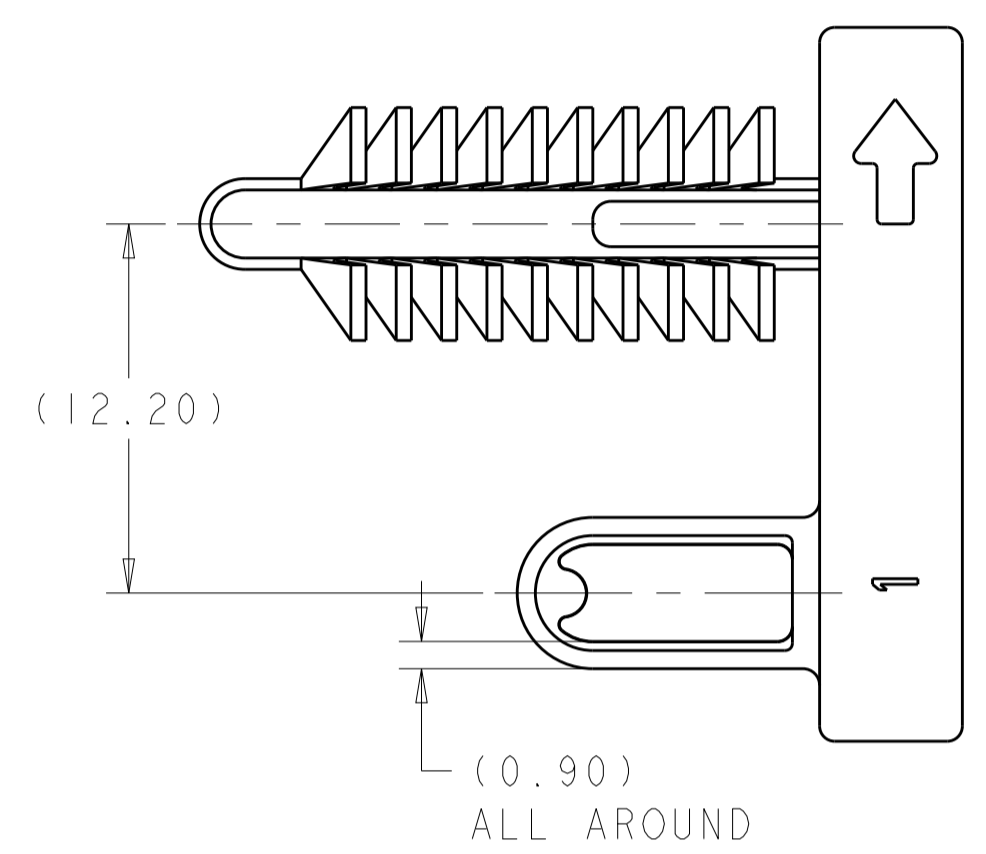
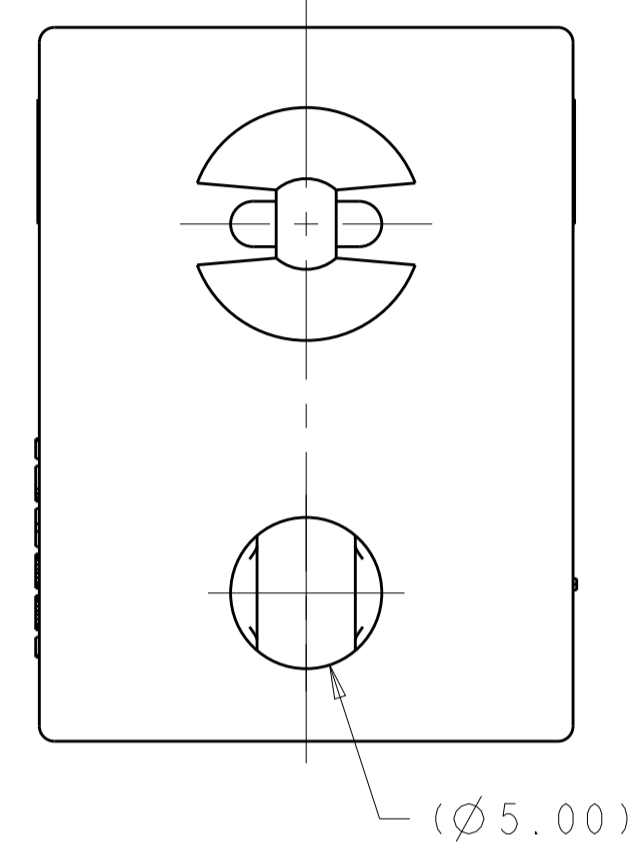
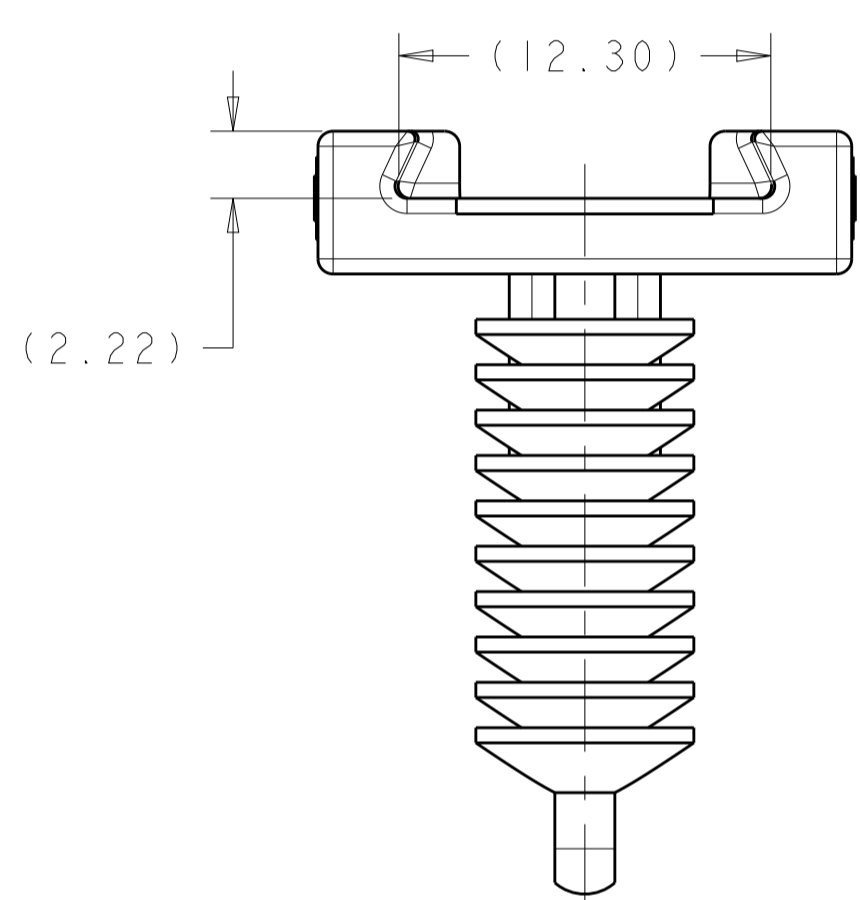


RECOMMENDED MOUNTING PARAMETERS
1924487-1 AND 1924487-2 ONLY

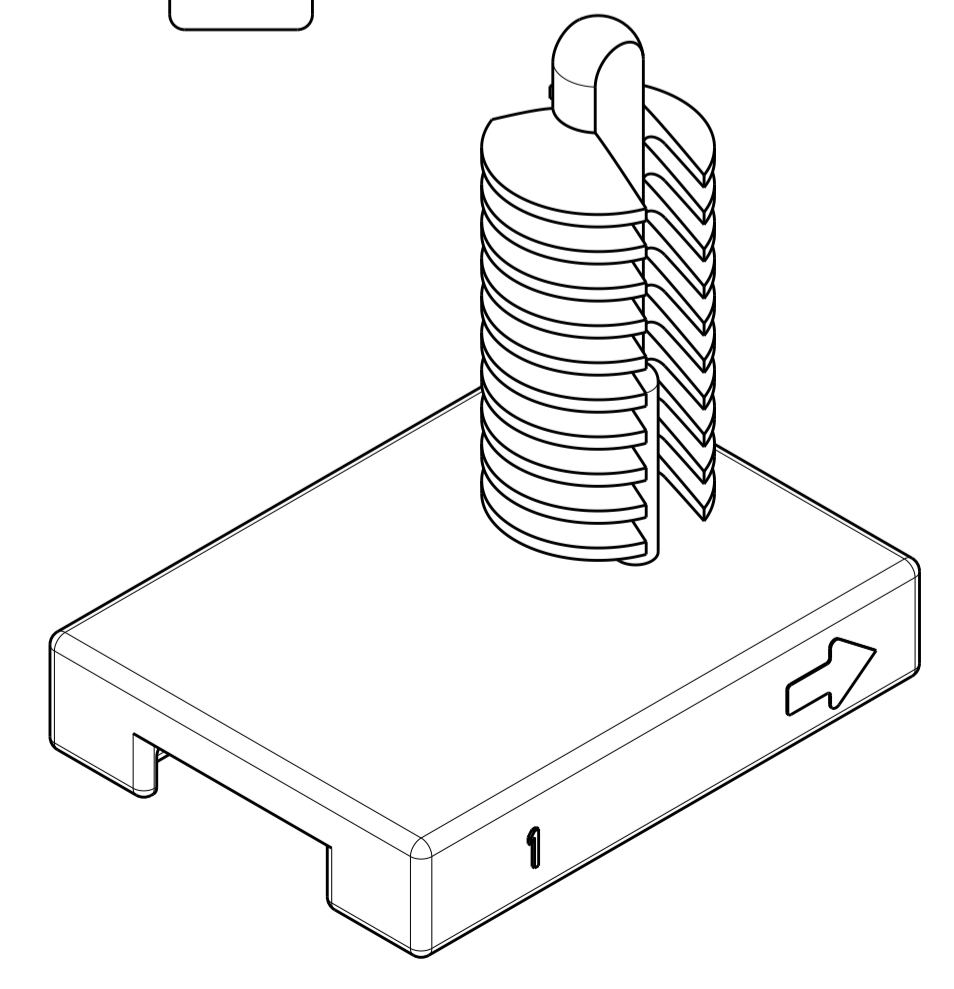
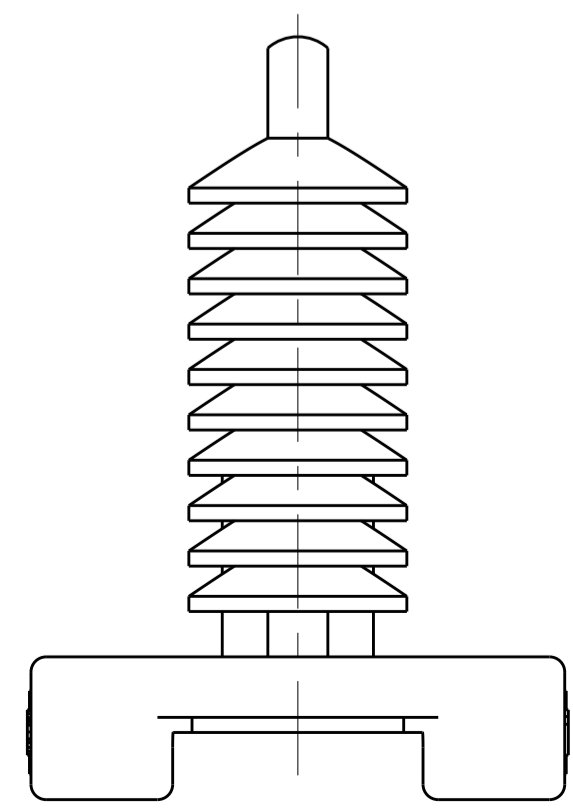
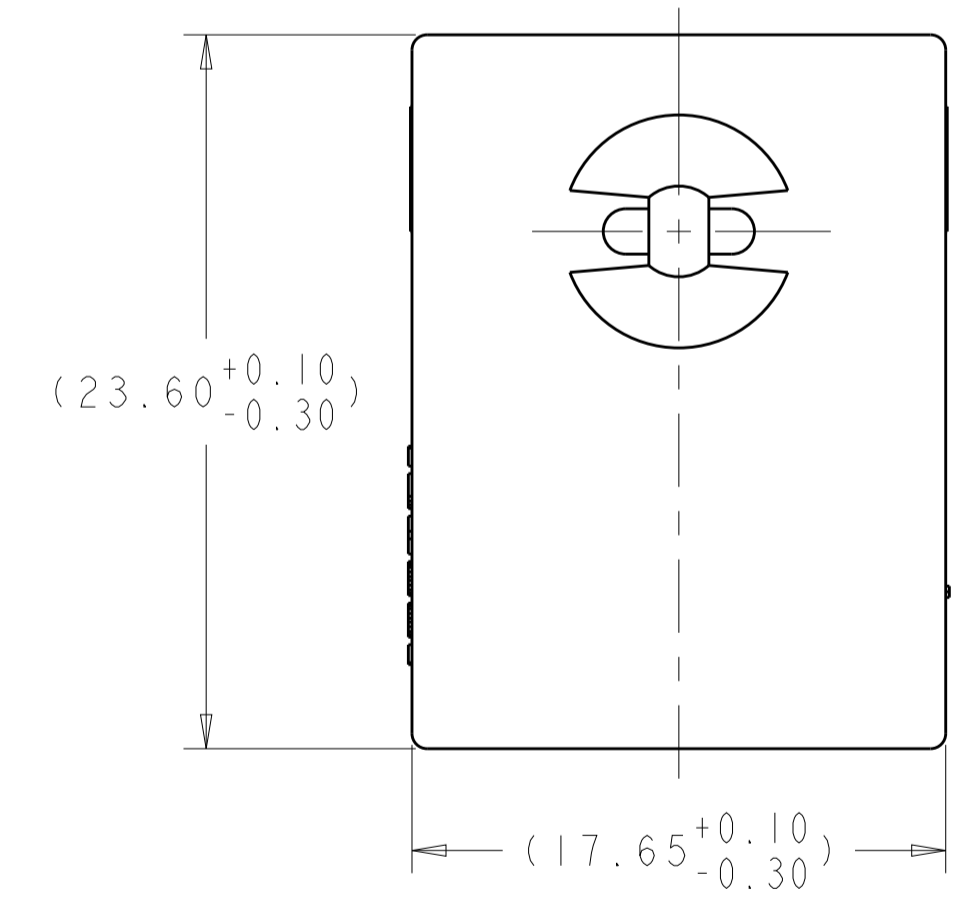
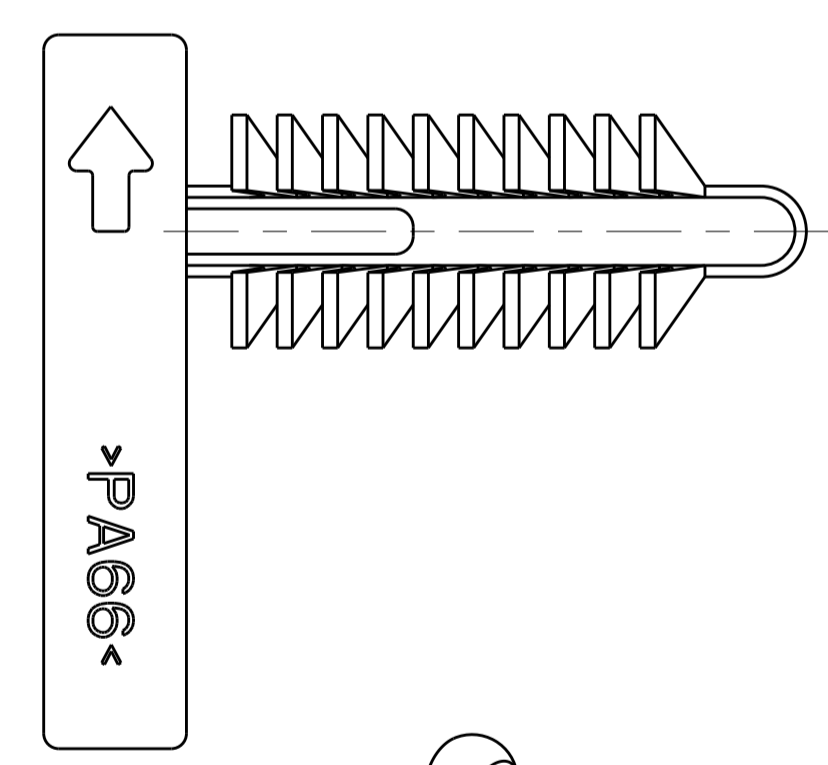
CONNECTOR POSITION	TREE HOLE (THREADED)	ANTI-ROTATION HOLE (THREADED OR UNTHREADED)	THREAD DEPTH (MINIMUM)
2	M8	M6 (5.0mm)	4mm
3	M8	M6 (5.0mm)	6mm
4	M8	M6 (5.0mm)	6mm
6	M8	M6 (5.0mm)	6mm
8	M8	M6 (5.0mm)	8mm
12	M8	M6 (5.0mm)	8mm

REVISIONS				
P.	LTN.	DESCRIPTION	DATE	APVD.
D		REVISED PER ECO-15-014592	09OCT2015	JM RB
D1		REVISED PER ECO-15-018109	17DEC2015	DD RB

- △ MATERIAL: NYLON 6/6, COLOR: BLACK
- 2. MOUNTING PARAMETERS: SEE RECOMMENDED MOUNTING TABLE ON LEFT SIDE.
- △3 AREA TO BE FROSTED APPROXIMATELY WHERE SHOWN.
- △4 CAVITY ID.
- △5 ANTI-ROTATION POST DIMENSIONS ONLY APPLY TO 1924487-2.



1924487-2
DIMS SAME AS 1924487-1 EXCEPT AS SHOWN



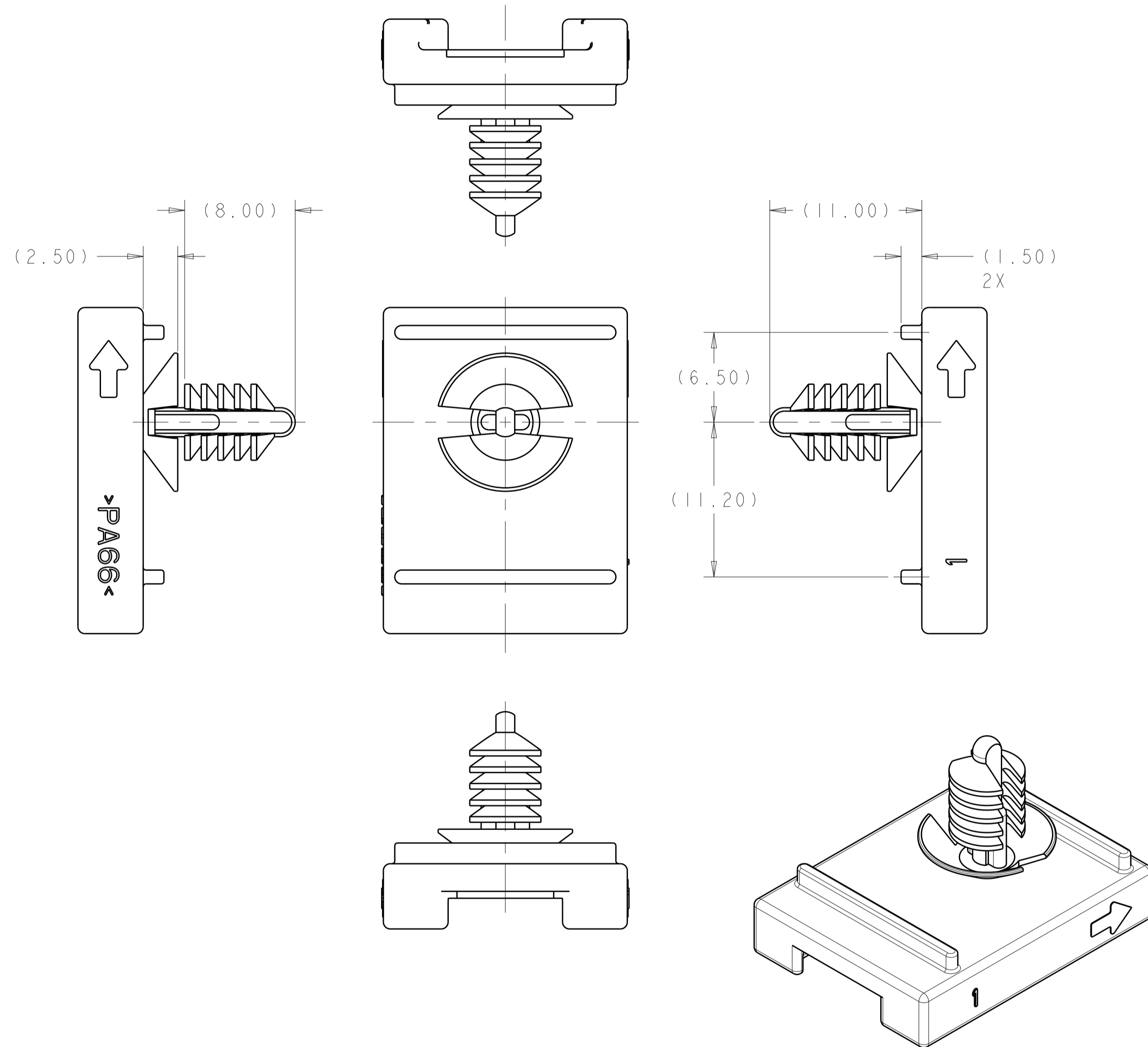
1924487-1

1.50 grams	1924487-3
1.65 grams	1924487-2
1.60 grams	1924487-1
WEIGHT (g)	PART NUMBER

THIS DRAWING IS A CONTROLLED DOCUMENT.		OWN J. MARKEY 22FEB2008	TE Connectivity	
DIMENSIONS: mm		CHK J. MARKEY 22FEB2008	RETAINER CLIP, AMPSEAL 16	
TOLERANCES UNLESS OTHERWISE SPECIFIED:		APVD J. MARKEY 22FEB2008	-	
0 PLC ±		PRODUCT SPEC	-	
1 PLC ±0.5		APPLICATION SPEC	-	
2 PLC ±0.3		SIZE CAGE CODE DRAWING NO	A100779C=1924487	
3 PLC ±		RESTRICTED TO	-	
4 PLC ±		SCALE 3:1	SHEET 1 OF 2	
ANGLES ±		REV D1		
FINISH				
MATERIAL				
CUSTOMER DRAWING				

REVISIONS				
P.	LTH	DESCRIPTION	DATE	APVD
-		SEE SHEET 1	-	-

RECOMMENDED MOUNTING PARAMETERS
 1924487-3 ONLY
 1924487-3 TO SNAP INTO Ø4.7MM HOLE
 IN 3MM STOCK SHEET METAL.



1924487-3
 DIMS SAME AS 1924487-1
 EXCEPT AS SHOWN

THIS DRAWING IS A CONTROLLED DOCUMENT.		DWN J. MARKEY 22FEB2008	STE TE Connectivity
DIMENSIONS: mm		CHK J. MARKEY 22FEB2008	
TOLERANCES UNLESS OTHERWISE SPECIFIED:		APVD J. MARKEY 22FEB2008	NAME RETAINER CLIP, AMPSEAL 16
0 PLC ±	1 PLC ±0.5	PRODUCT SPEC	
2 PLC ±0.3	3 PLC ±	APPLICATION SPEC	
4 PLC ±	ANGLES ±	WEIGHT	SIZE CAGE CODE DRAWING NO RESTRICTED TO
MATERIAL	FINISH	CUSTOMER DRAWING	A100779C=1924487
		SCALE 3:1	SHEET 2 OF 2 REV D1

Mouser Electronics

Authorized Distributor

Click to View Pricing, Inventory, Delivery & Lifecycle Information:

[TE Connectivity:](#)

[1924487-1](#)