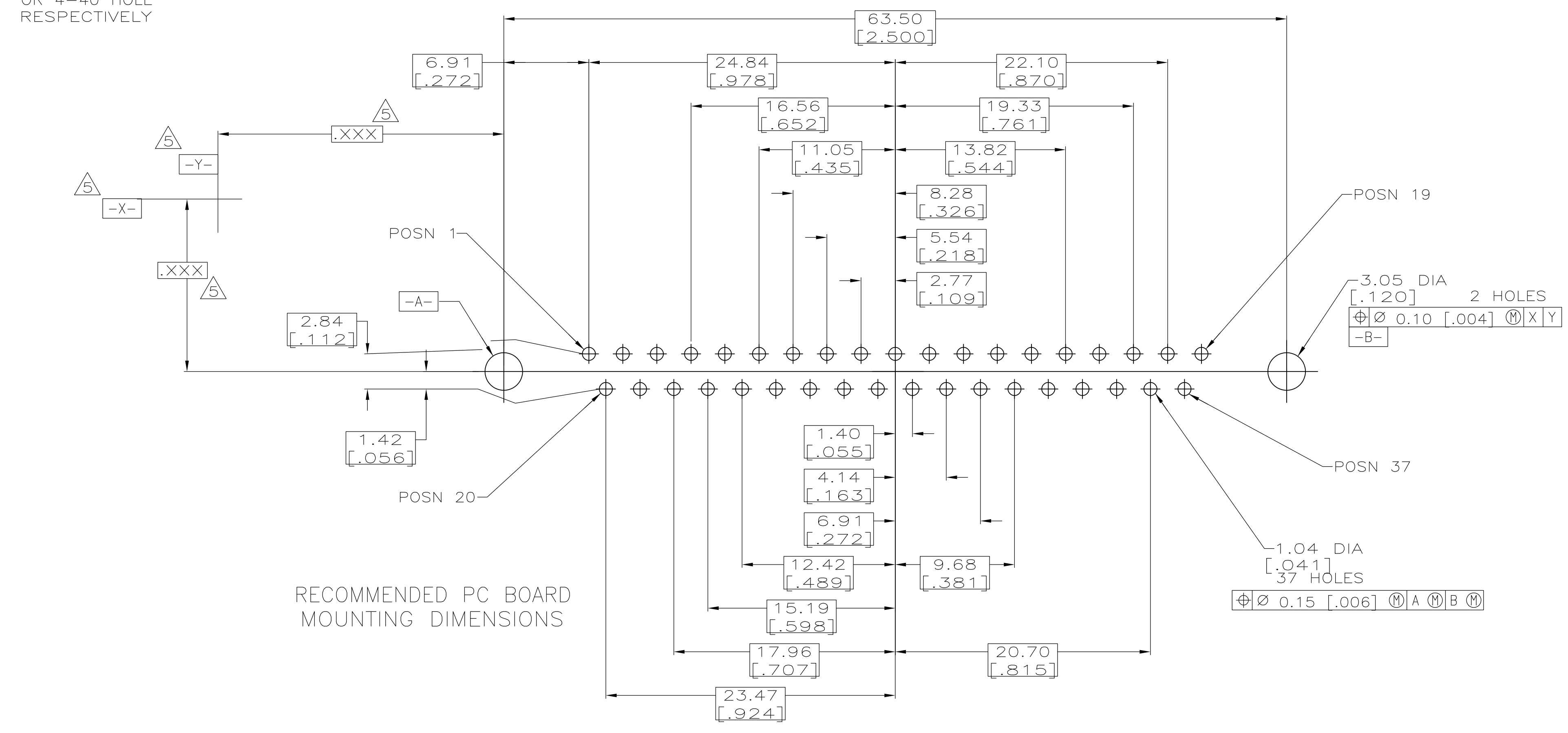
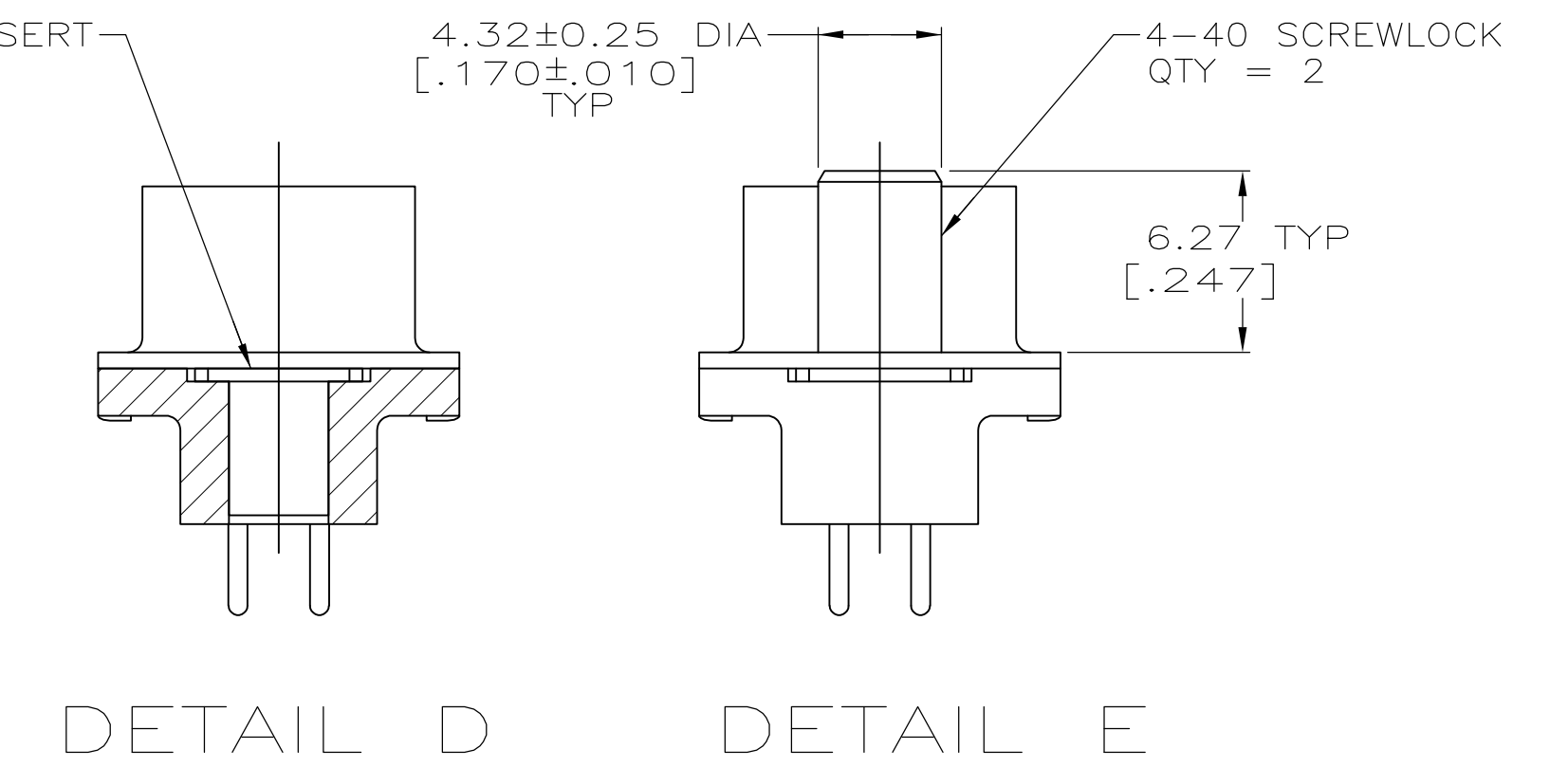
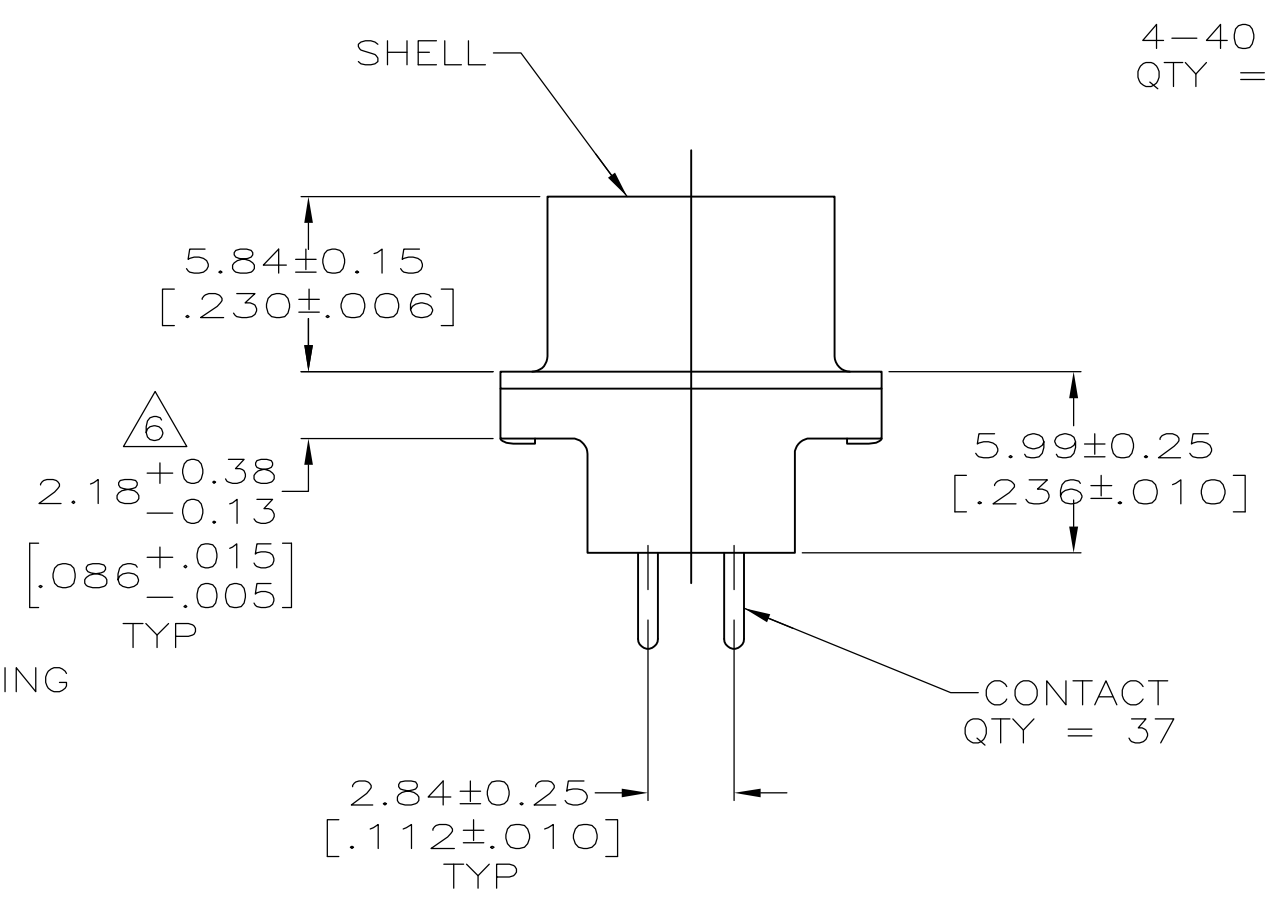
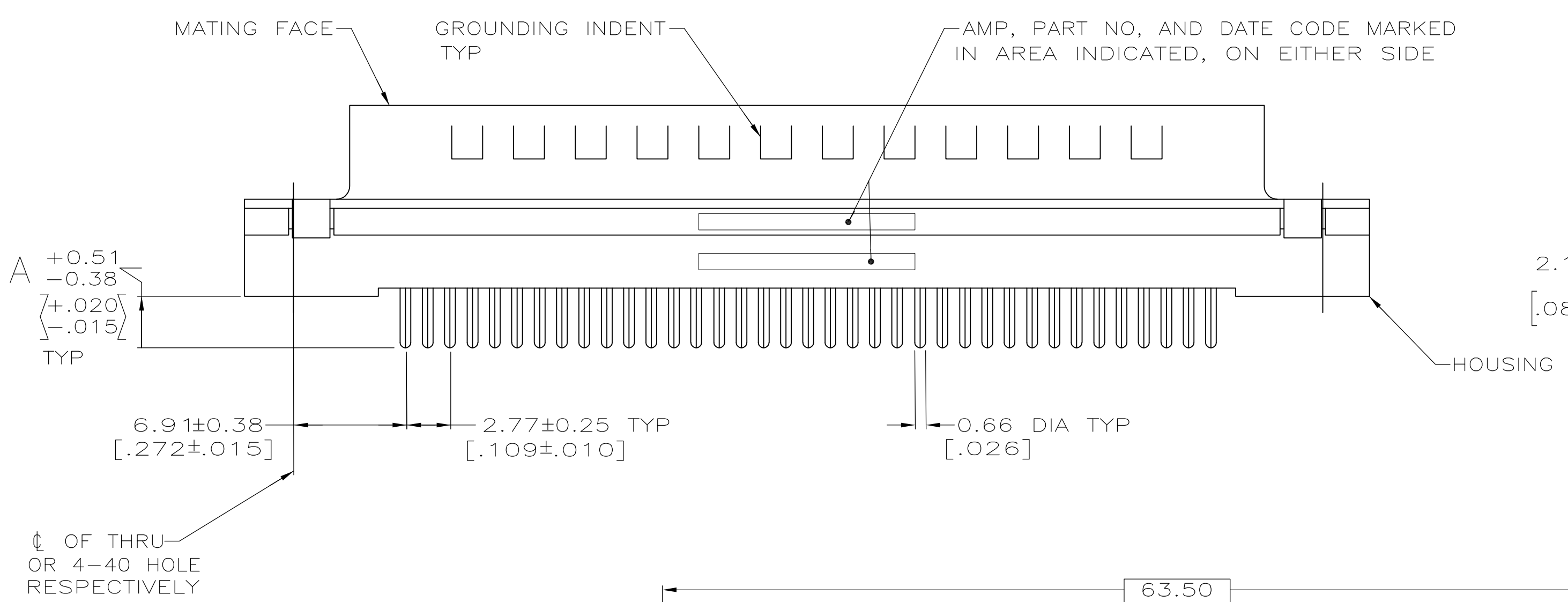


- △ HOUSING: BLACK POLYESTER, UL 94V-0 RATED  
 CONTACTS: BRASS  
 SHELLS: CARBON STEEL  
 SCREWLOCK: ZINC  
 INSERT: BRASS
- △ GOLD FLASH FOR LENGTH OF 3.81 [.150] MIN FROM MATING END, 2.54μm [.000100] MIN TIN OR TIN-LEAD FOR A LENGTH OF DIMENSION A FROM OPPOSITE END, BOTH OVER 1.27μm [.000050] MIN NICKEL.
- △ GOLD PLATED FOR LENGTH OF 3.81 [.150] MIN FROM MATING END, 0.76μm [.000030] MIN GOLD IN MATED AREA, 2.54μm [.000100] MIN TIN OR TIN-LEAD FOR A LENGTH OF DIMENSION A FROM OPPOSITE END, BOTH OVER 1.27μm [.000050] MIN NICKEL.  
 -OR-  
 GOLD FLASH OVER PALLADIUM NICKEL FOR A LENGTH OF 3.81 [.150] MIN FROM MATING END, 0.76μm [.000030] MIN PALLADIUM NICKEL IN MATED AREA, 2.54μm [.000100] MIN TIN OR TIN-LEAD FOR A LENGTH OF DIMENSION A FROM OPPOSITE END, BOTH OVER 1.27μm [.000050] MIN NICKEL.
- △ SHELLS: 5.08μm [.000200] MIN TIN OVER 2.54μm [.000100] MIN COPPER  
 CONTACTS: SEE TABLE
- △ DATUMS AND BASIC DIMENSIONS ESTABLISHED BY CUSTOMERS.
- △ 2.79[.110] MAX IN SHELL TAB CLINCH AREAS.



OBSOLETE	6.35 [.250]	4-40 SCREWLOCK (DETAIL E)	△ 3	1-747375-8	
OBSOLETE	6.35 [.250]	4-40 SCREWLOCK (DETAIL E)	△ 2	1-747375-7	
OBSOLETE	4.32 [.170]	4-40 SCREWLOCK (DETAIL E)	△ 3	1-747375-6	
OBSOLETE	4.32 [.170]	4-40 SCREWLOCK (DETAIL E)	△ 2	1-747375-5	
OBSOLETE	3.18 [.125]	4-40 SCREWLOCK (DETAIL E)	△ 3	1-747375-4	
SUPSD BY	747375-8	3.18 [.125]	4-40 SCREWLOCK (DETAIL E)	△ 2	1-747375-3
OBSOLETE	6.35 [.250]	4-40 INSERT (DETAIL D)	△ 3	1-747375-2	
OBSOLETE	6.35 [.250]	4-40 INSERT (DETAIL D)	△ 2	1-747375-1	
SUPSD BY	747375-8	4.32 [.170]	4-40 INSERT (DETAIL D)	△ 3	1-747375-0
OBSOLETE	4.32 [.170]	4-40 INSERT (DETAIL D)	△ 2	747375-9	
SUPSD BY	747375-8	3.18 [.125]	4-40 INSERT (DETAIL D)	△ 3	747375-8
OBSOLETE	6.35 [.250]	-	△ 3	747375-6	
OBSOLETE	6.35 [.250]	-	△ 2	747375-5	
OBSOLETE	4.32 [.170]	-	△ 3	747375-4	
OBSOLETE	4.32 [.170]	-	△ 2	747375-3	
OBSOLETE	3.18 [.125]	-	△ 3	747375-2	
OBSOLETE	3.18 [.125]	-	△ 2	747375-1	

THIS DRAWING IS A CONTROLLED DOCUMENT.		DMN J. McCLINTON 12/01/89	Tyco Electronics Corporation Harrisburg, PA 17105-3608
DIMENSIONS: mm [INCHES]		APVO R. STONE 02/01/90	
TOLERANCES UNLESS OTHERWISE SPECIFIED:		APVO C. ROHDE 2-02-90	NAME PLUG ASSEMBLY, SIZE 4, 37 POSITION, VERTICAL, FRONT METAL SHELL, AMPLIMITE® HD-20
0 PLC ± -		APPLICATION SPEC 108-40025	
1 PLC ± ± 0.13 [.005]		SIZE 114-40023	RESTRICTED TO
2 PLC ± ± -		WEIGHT	
3 PLC ± ± -		SCALE 4:1	SHEET 1 OF 1
4 PLC ± ± -		REV L	
MATERIAL		CUSTOMER DRAWING	

# Mouser Electronics

Authorized Distributor

Click to View Pricing, Inventory, Delivery & Lifecycle Information:

[TE Connectivity:](#)

[747375-8](#)