

PLEASE CHECK WWW.MOLEX.COM FOR LATEST PART INFORMATION

Part Number: [0908160024](#)
Status: **Active**
Overview: [Picoflex Ribbon-Cable Connectors](#)
Description: Picoflex Surface Mount Latched Vertical Header with PCB Pegs, 24 Circuits, Tin (Sn) Plating, Black

Documents:

| | |
|---|--|
| 3D Model | Product Specification TS-90816-001-001 (PDF) |
| Drawing (PDF) | Packaging Specification PK-90816-001-001 (PDF) |
| Product Specification PS-99020-0011-001 (PDF) | RoHS Certificate of Compliance (PDF) |

General

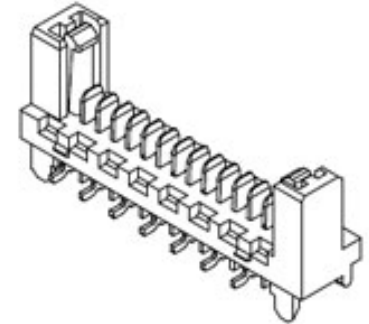
| | |
|----------------|--|
| Product Family | PCB Headers |
| Series | 90816 |
| Application | Signal, Wire-to-Board |
| Overview | Picoflex Ribbon-Cable Connectors |
| Product Name | Picoflex |
| UPC | 883906498900 |

Physical

| | |
|--------------------------------|----------------|
| Breakaway | No |
| Circuits (Loaded) | 24 |
| Circuits (maximum) | 24 |
| Color - Resin | Black |
| Durability (mating cycles max) | 5 |
| First Mate / Last Break | No |
| Glow-Wire Capable | No |
| Guide to Mating Part | No |
| Keying to Mating Part | N/A |
| Lock to Mating Part | Yes |
| Material - Metal | Brass |
| Material - Plating Mating | Tin |
| Material - Plating Termination | Nickel |
| Material - Resin | Nylon |
| Net Weight | 1.176/g |
| Number of Rows | 1 |
| Orientation | Vertical |
| PC Tail Length | 1.05mm |
| PCB Locator | Yes |
| PCB Retention | None |
| PCB Thickness - Recommended | 1.60mm |
| Packaging Type | Tube |
| Pitch - Mating Interface | 1.27mm |
| Pitch - Termination Interface | 1.27mm |
| Plating min - Mating | 0.076µm |
| Polarized to Mating Part | Yes |
| Polarized to PCB | Yes |
| Shrouded | Partial |
| Stackable | No |
| Surface Mount Compatible (SMC) | Yes |
| Temperature Range - Operating | -40° to +105°C |
| Termination Interface: Style | Surface Mount |

Electrical

| | |
|-------------------------------|------|
| Current - Maximum per Contact | 1.2A |
| Voltage - Maximum | 250V |



Series image - Reference only

EU ELV

Not Relevant

EU RoHS

Compliant

REACH SVHC

Not Contained Per -
ED/61/2018 (27 June
2018)

Halogen-Free

Status

Low-Halogen

For more information, please visit [Contact US](#)

China ROHS

ELV

RoHS Phthalates

China RoHS

Green Image

Not Relevant

Not Contained

Search Parts in this Series

[90816 Series](#)

Mates With

[90327 Picoflex PF-50](#)

Material Info

Reference - Drawing Numbers

Packaging Specification

Product Specification

Sales Drawing

PK-90816-001-001

PS-99020-0011-001, TS-90816-001-001

SD-90816-001

This document was generated on 10/10/2018

PLEASE CHECK WWW.MOLEX.COM FOR LATEST PART INFORMATION

Mouser Electronics

Authorized Distributor

Click to View Pricing, Inventory, Delivery & Lifecycle Information:

[Molex:](#)

[90816-0024](#)