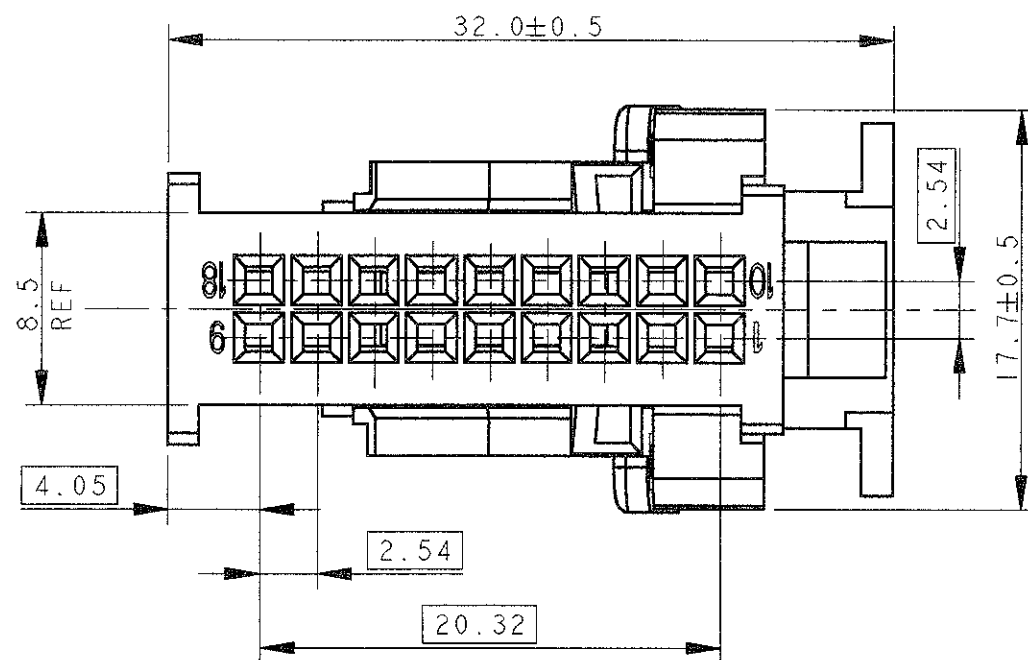
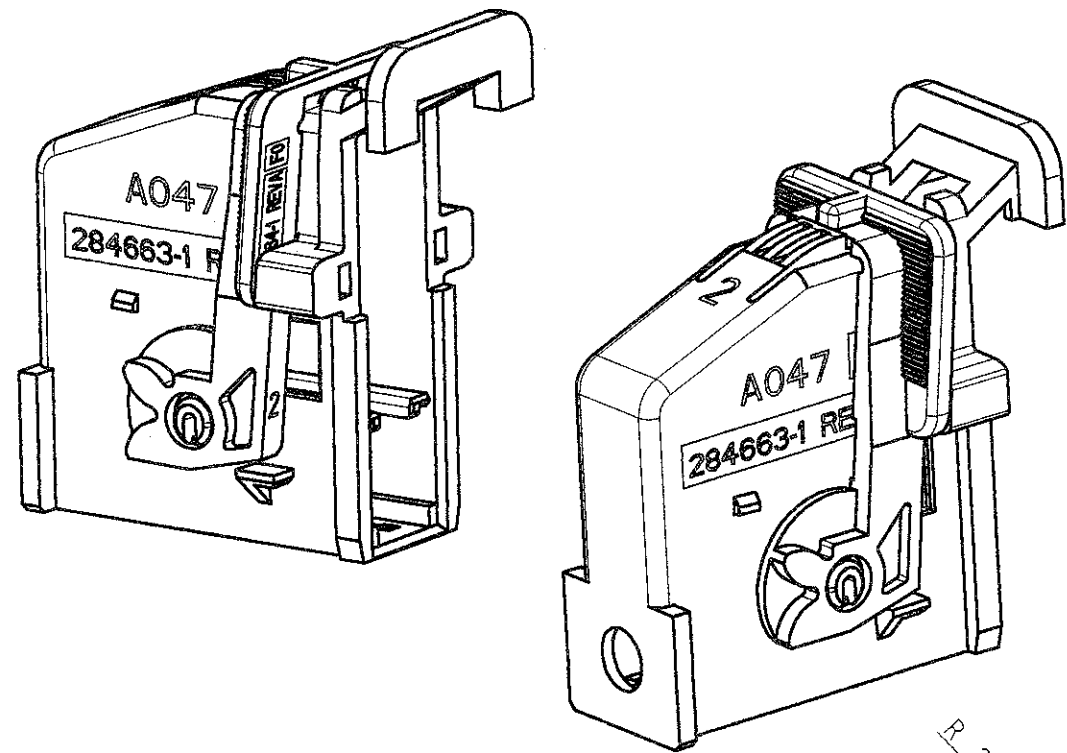
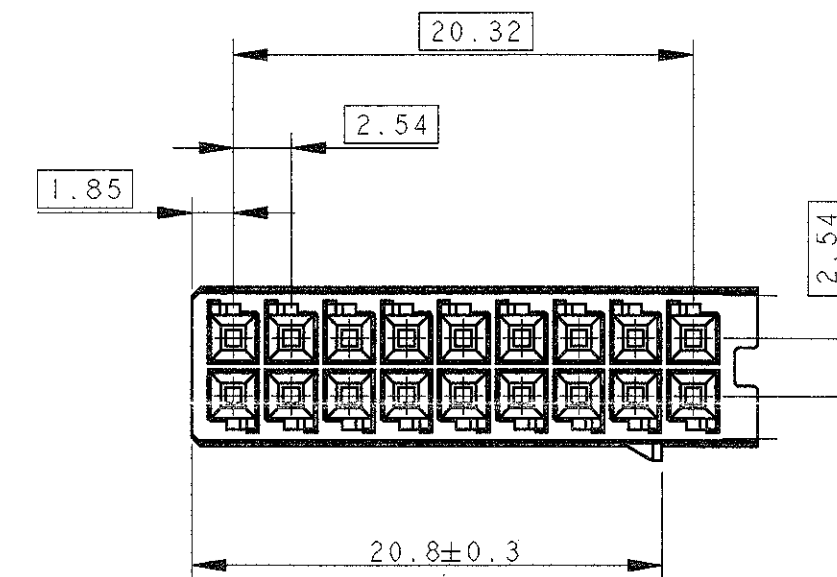
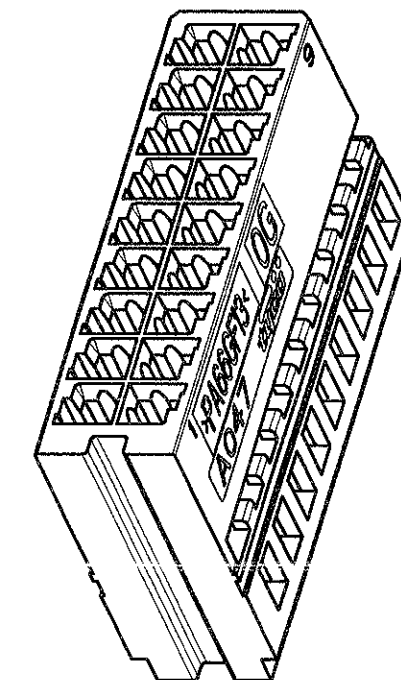
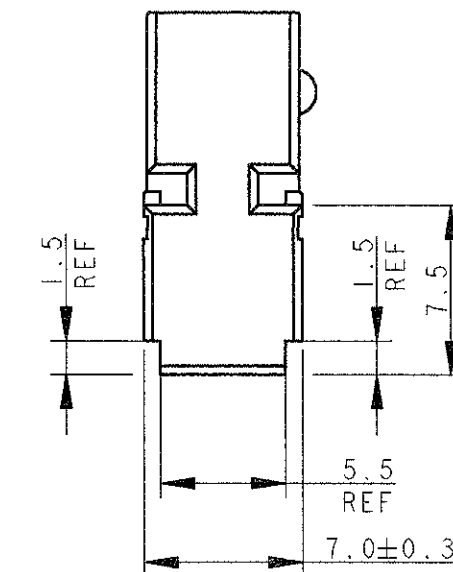
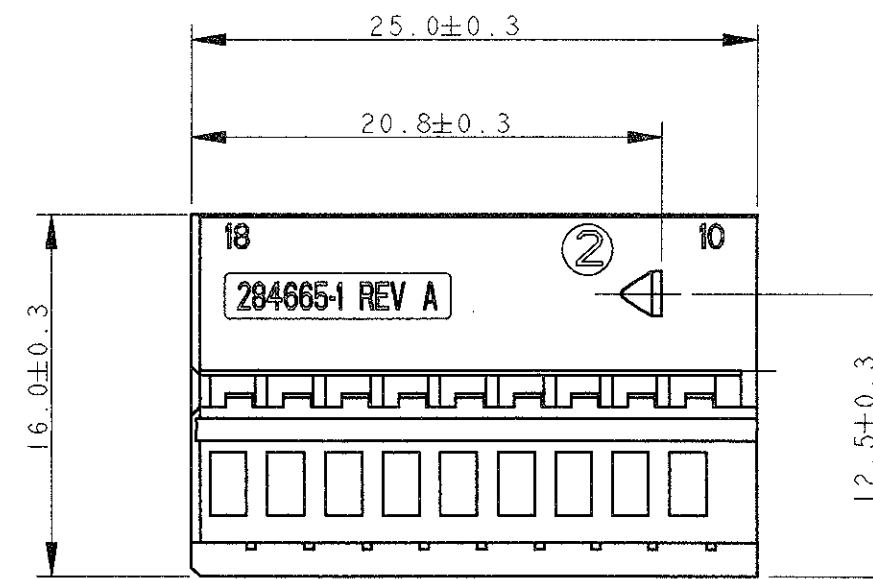
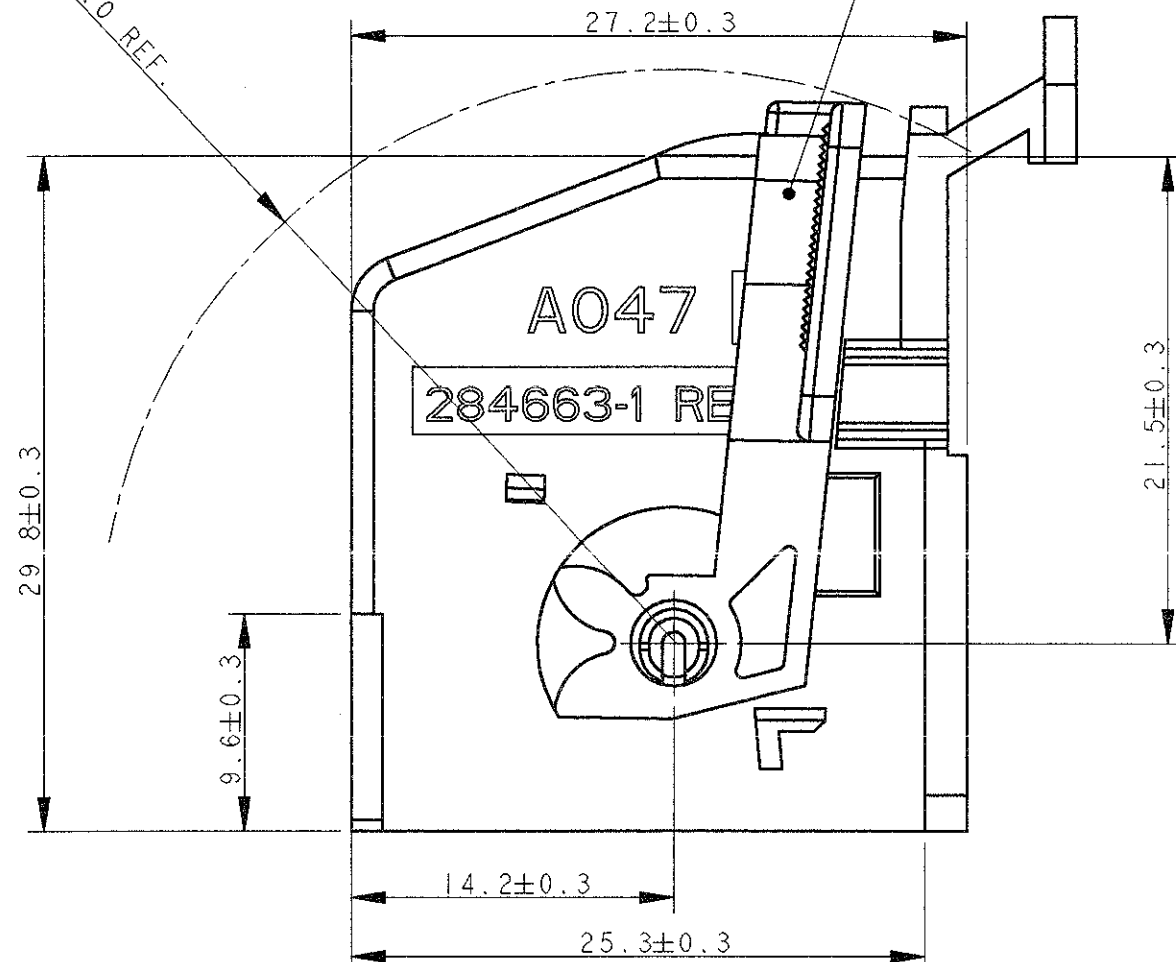
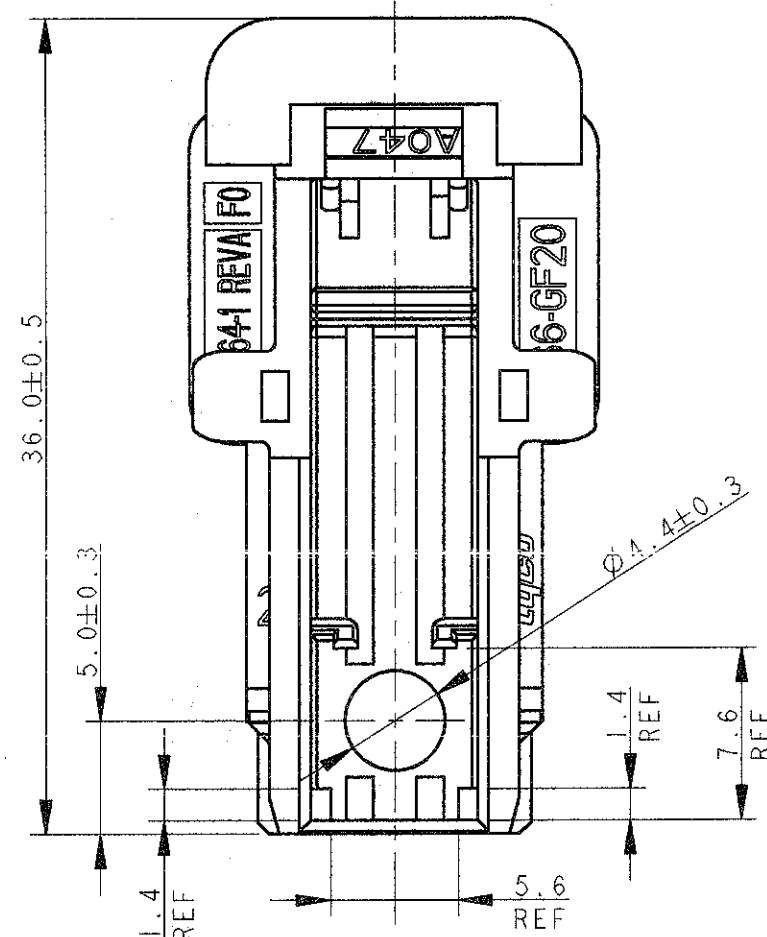


LOC		DIST		REVISIONS			
P	LTR	DESCRIPTION	DATE	DWN	APVD		
0		FIRST ISSUE	05JUL2000	M.P.	R.M.		
1		UPDATED	13JUL2000	M.P.	R.M.		
A		UPDATED DRAWING PER ET00-0241-00	29SEP2000	F.C.	O.C.		
AI		RELEASED FOR PRODUCTION PER ET00-0100-02	03NOV02	P.Z.			

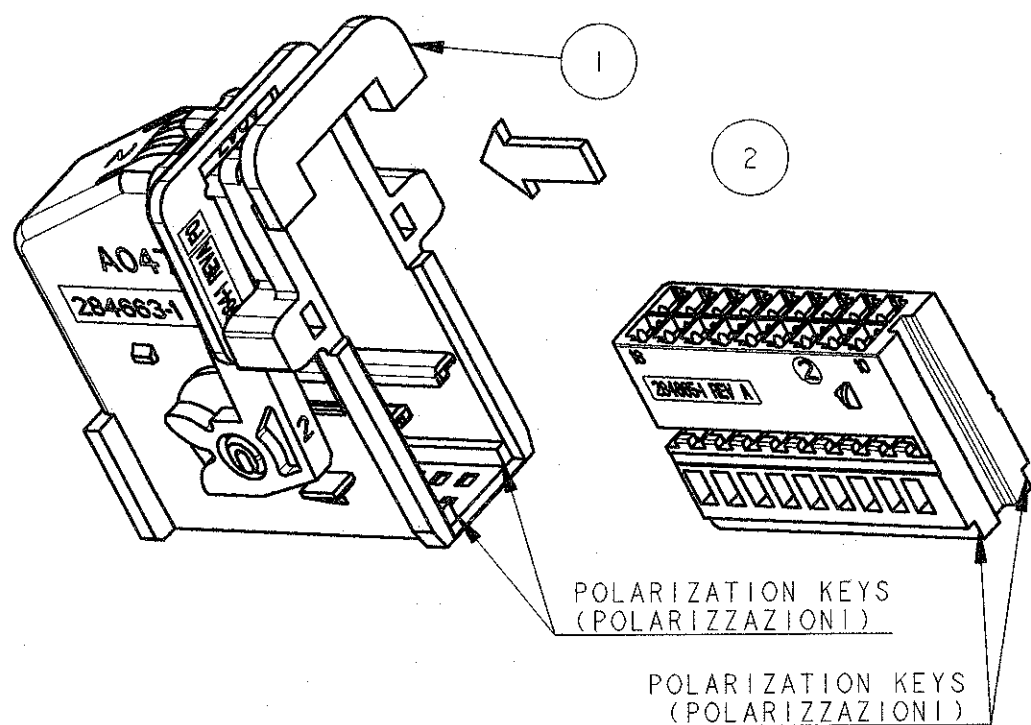


LEVER IN LOCKED POSITION  
(LEVA IN POSIZIONE CHIUSA)



CODING TYPE -A- COLOUR BLACK, AS SHOWN (ITEM 2).  
(POLARIZZAZIONE -A- COLORE NERO. COME INDICATO -COMPONENTE 2-.)

CODING TYPE -A- COLOUR BLACK, AS SHOWN (ITEM 1)  
(POLARIZZAZIONE -A- COLORE NERO, COME INDICATO -COMPONENTE 1-)

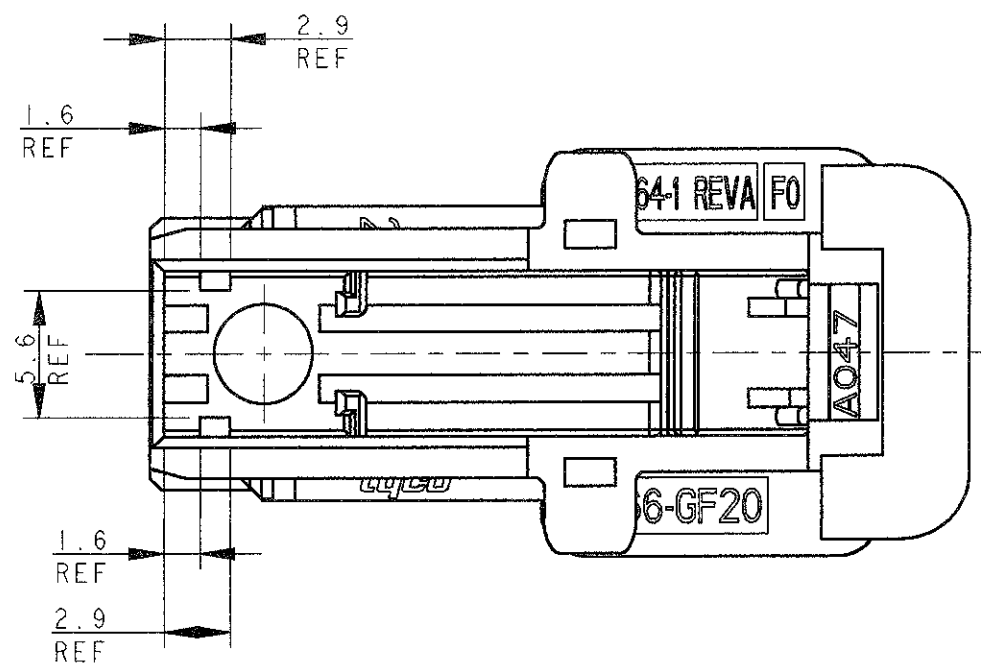


- 1) CAVITIES (ITEM 2) SUITABLE FOR MICRO QUADLOK SYSTEM RECEPTACLE CONTACT P/N 928999-... AND 963715-...
- 2) FOR POLARIZATION KEYS DIMENSIONS SEE SHEET 2 OF 3
- 3) FOR COUNTERPART DIMENSIONS SEE SHEET 3 OF 3
- 4 RELEVANT TO REC. CONTACT ONLY.
- 5) LEVER COLOUR: BLACK.
- 6) THE PRODUCT IS SUPPLIED WITH LEVER IN CLOSED POSITION.
- 7) No 1 COVER WITH LEVER + No 1 PLUG HOUSING ARE SUPPLIED IN KIT ACCORDING TO TABLE WITH EQUIVALENT NUMBER OF PIECES FOR EACH COMPONENT IN A BOX.

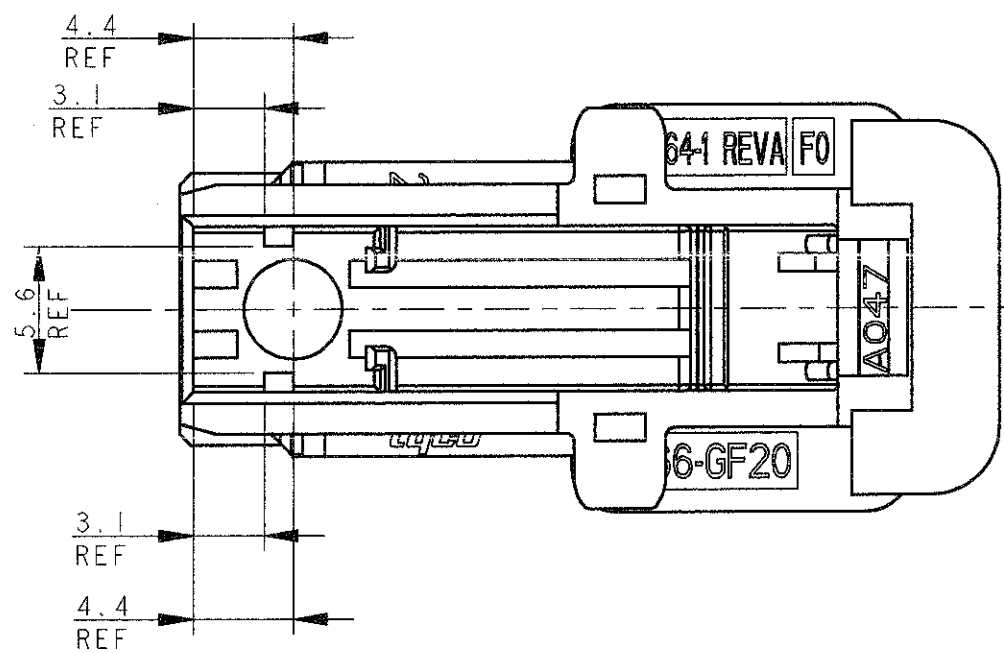
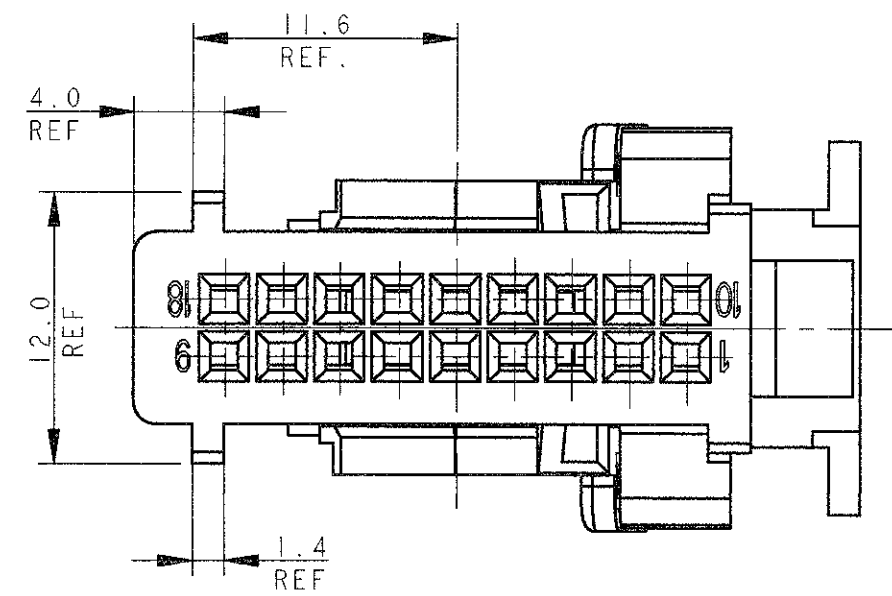
- 1) LE CAVITA' (COMPONENTE 2) SONO ADATTE PER CONTATTO FEMMINA MICRO QUADLOK SYSTEM P/N 928999-... E 963715-...
- 2) PER LE DIMENSIONI DELLE POLARIZZAZIONI VEDERE FOGLIO 2/3.
- 3) PER LE DIMENSIONI DELLA CONTROPARTE VEDERE FOGLIO 3/3.
- 4 RELATIVA SOLO AL CONTATTO FEMMINA.
- 5) LEVA IN COLORE NERO.
- 6) IL PRODOTTO VIENE FORNITO CON LEVA IN POSIZIONE CHIUSA.
- 7) No 1 CORAZZA CON LEVA + No 1 BLOCCHETTO SONO FORNITI IN KIT SECONDO TABELLA CON PARI NUMERO DI PEZZI PER SCATOLA.

		1		BLUE (BLU)	D	SEE NOTE 3) (VEDERE NOTA)
		1		BLUE (BLU)	D	SEE NOTE 3) (VEDERE NOTA)
		1		BROWN (MARRONE)	C	SEE NOTE 3) (VEDERE NOTA)
		1		BROWN (MARRONE)	C	SEE NOTE 3) (VEDERE NOTA)
		1		WHITE (BIANCO)	B	SEE NOTE 3) (VEDERE NOTA)
		1		WHITE (BIANCO)	B	SEE NOTE 3) (VEDERE NOTA)
		1		BLACK (NERO)	A	
		1		BLACK (NERO)	A	
-1	-2	-3	-4	COVER+LEVER -ITEM 1- (CORAZZA+LEVA -COMPONENTE 1)	PLUG HOUSING -ITEM 2- (BLOCCHETTO -COMPONENTE 2-)	POLAR. CODING (POLARIZZ.)
KIT P/Ns 284666-... (No KIT 284666-...)						NOTES (NOTE)

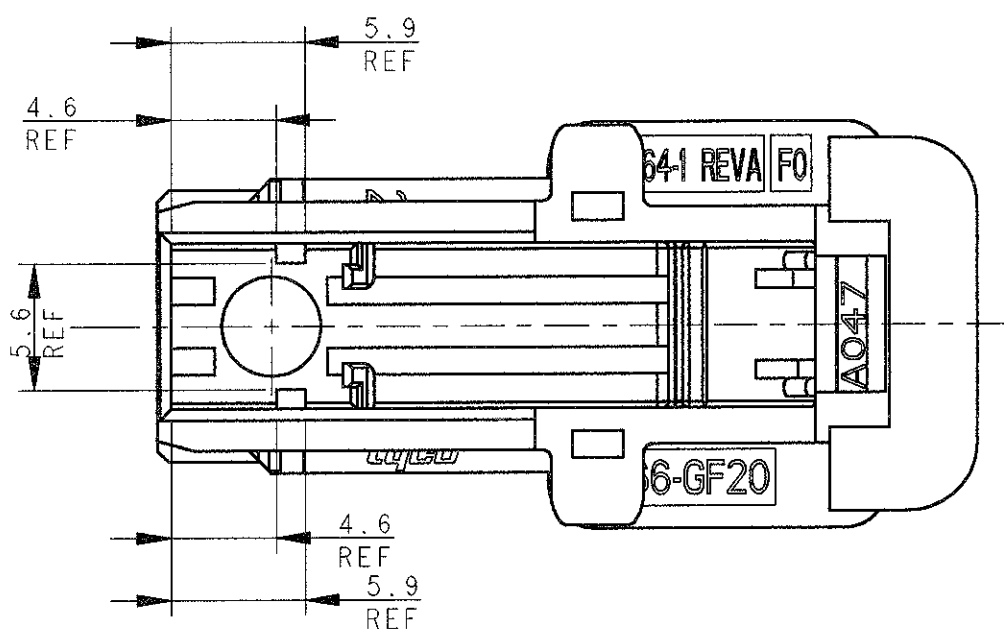
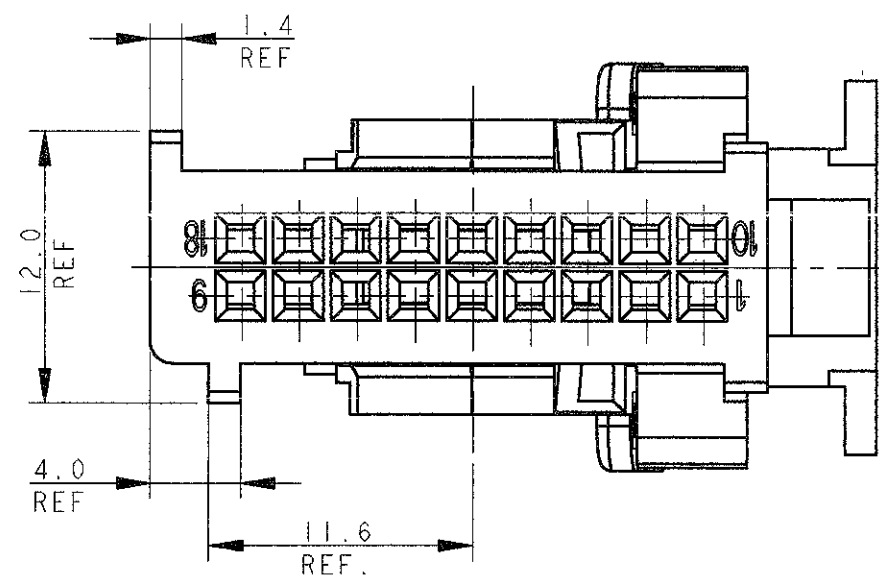
DIMENSIONS:		TOLERANCES UNLESS OTHERWISE SPECIFIED:		DWN		AMP		AMP Italia S.p.A.	
mm		0 PLC	±0.5	M. PALMA	05JUL2000	AMP		C.so F.lli Cervi 15 Collegno (TO)	
		1 PLC	±0.3	CHK R. MARTINI	05JUL2000				
		2 PLC	±0.3	APVD A. GENTA	05JUL2000	NAME		COVER + LEVER AND PLUG HSG KIT FOR 18 POSITIONS MICRO QUADLOK SYSTEM CONNECTOR	
		3 PLC	±0.3	PRODUCT SPEC	108-18030				
		4 PLC	±	APPLICATION SPEC	114-18021	SIZE		CAGE CODE	
		ANGLES	±°	WEIGHT	-	A2		00779	
MATERIAL		PA 66 GF FILLED		CUSTOMER DRAWING		DRAWING NO		C=284666	
						SCALE		3:1	
						SHEET		1 OF 3	
						REV		AI	



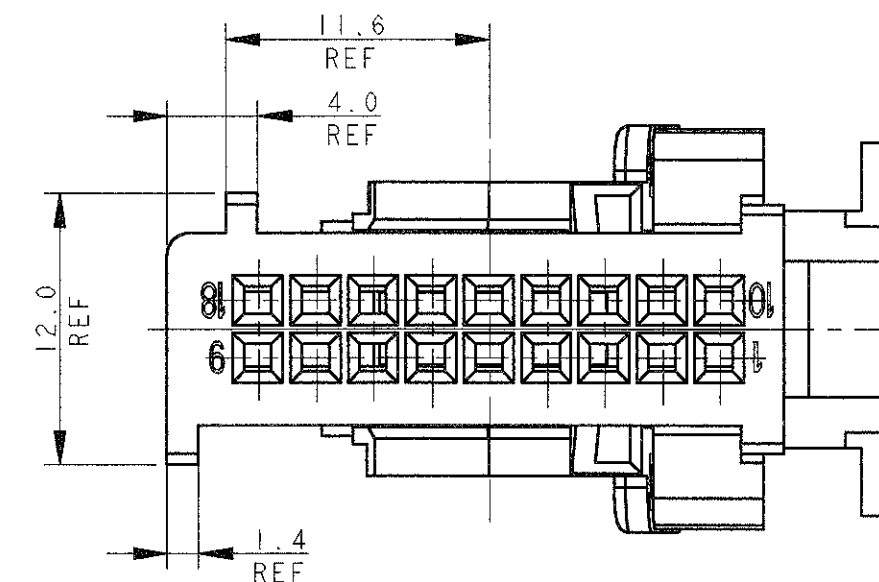
CODING TYPE -B- COLOUR WHITE, (ITEM 1)  
 (POLARIZZAZIONE -B- COLORE BIANCO, -COMPONENTE 1-)



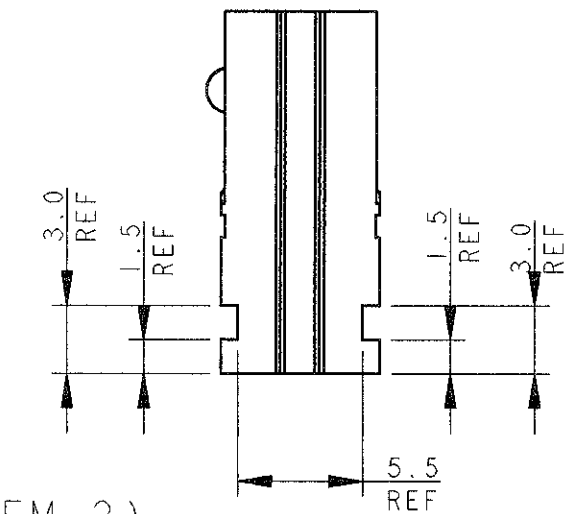
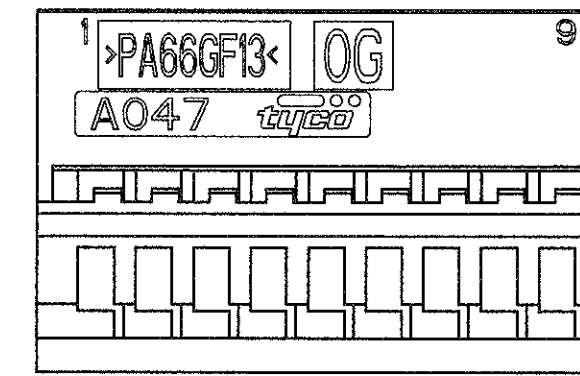
CODING TYPE -C- COLOUR BROWN, (ITEM 1)  
 (POLARIZZAZIONE -C- COLORE MARRONE, -COMPONENTE 1-)



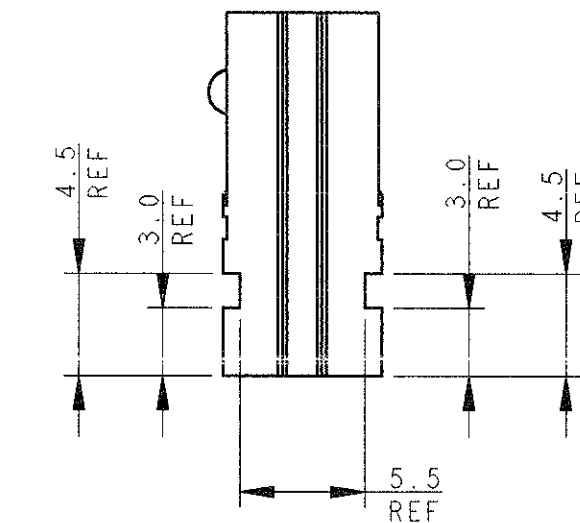
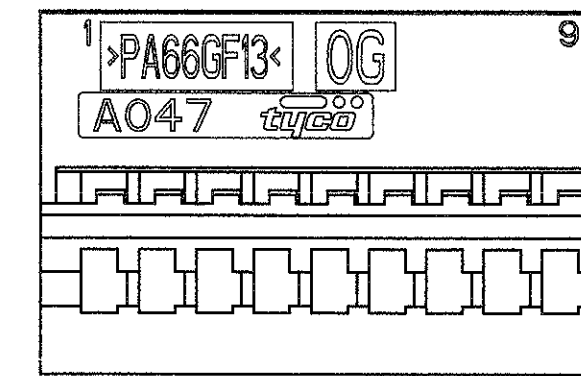
CODING TYPE -D- COLOUR BLUE, (ITEM 1)  
 (POLARIZZAZIONE -D- COLORE BLU, -COMPONENTE 1-)



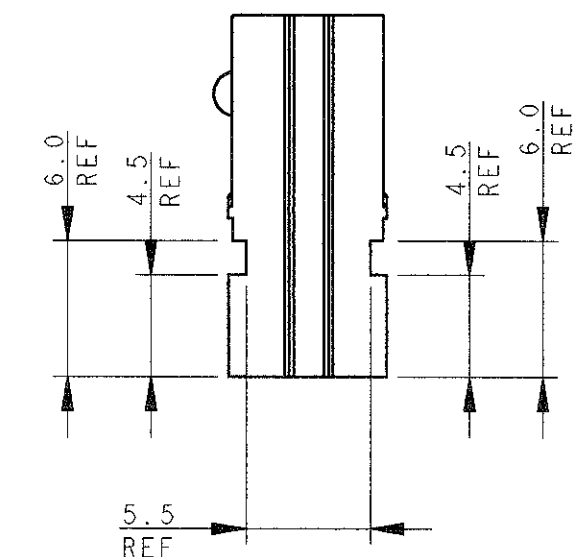
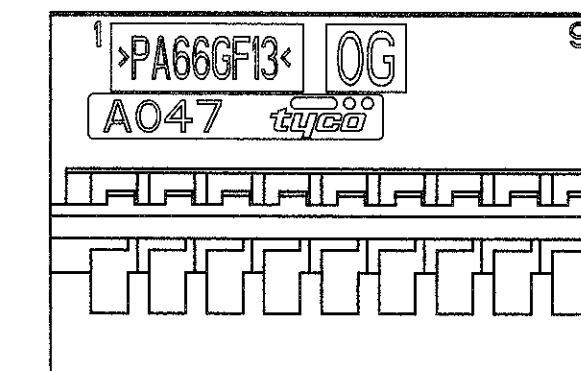
LOC		DIST		REVISIONS			
P	LTR	DESCRIPTION	DATE	DWN	APVD		
-	-	SEE SHEET 1	-	-	-		



CODING TYPE -B- COLOUR WHITE, (ITEM 2)  
 (POLARIZZAZIONE -B- COLORE BIANCO, -COMPONENTE 2-)



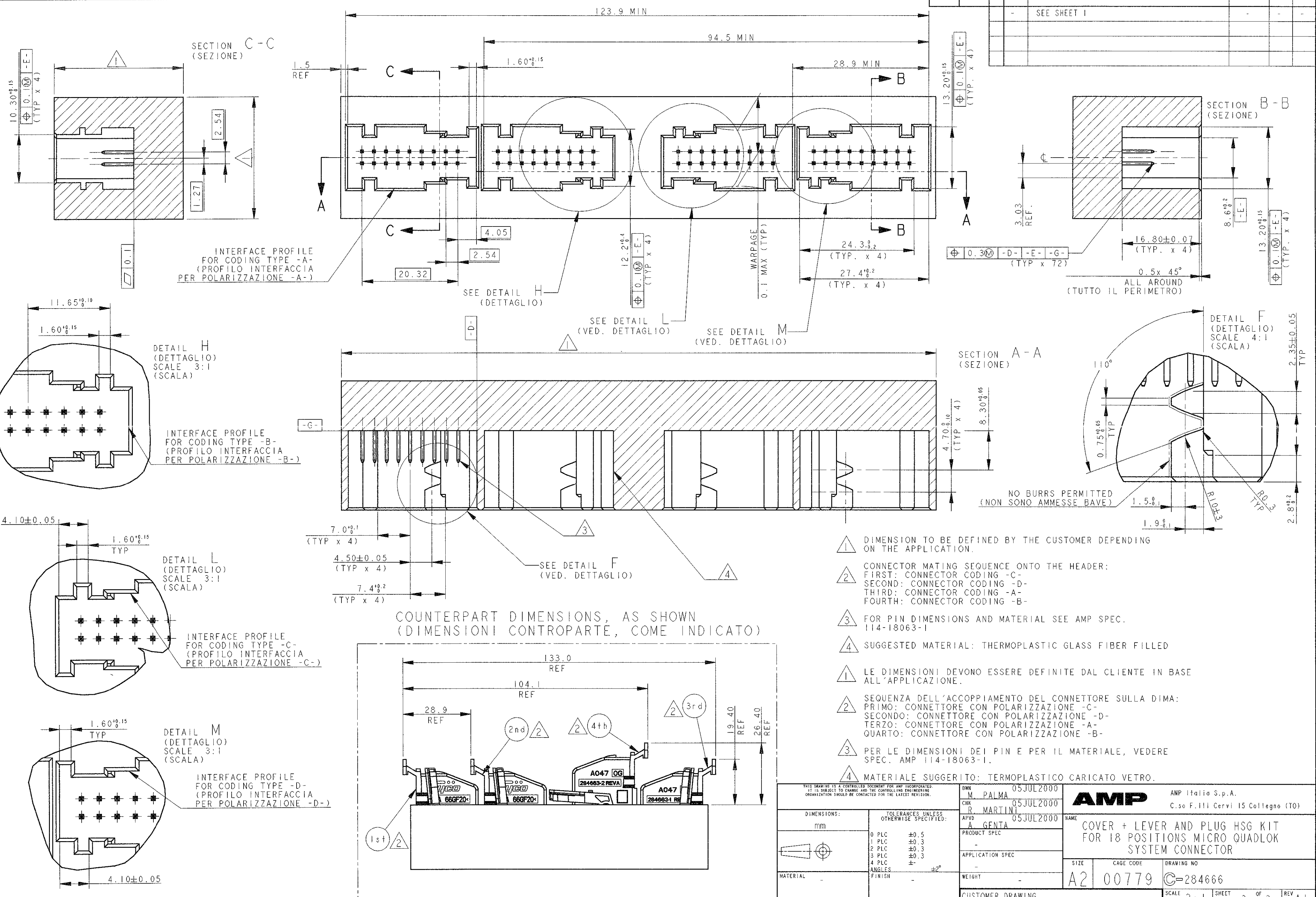
CODING TYPE -C- COLOUR BROWN, (ITEM 2)  
 (POLARIZZAZIONE -C- COLORE MARRONE, -COMPONENTE 2-)



CODING TYPE -D- COLOUR BLUE, (ITEM 2)  
 (POLARIZZAZIONE -D- COLORE BLU, -COMPONENTE 2-)

<small>THIS DRAWING IS A CONTROLLED DOCUMENT FOR AMP INCORPORATED. IT IS SUBJECT TO CHANGE AND THE CONTROLLING ENGINEERING ORGANIZATION SHOULD BE CONTACTED FOR THE LATEST REVISION.</small>		DWN M. PALMA 05JUL2000 CHK R. MARTINI 05JUL2000 APVD A. GENIA 05JUL2000	<b>AMP</b> AMP Italia S.p.A. C.so F.lli Cervi 15 Collegno (TO)
DIMENSIONS: mm 	TOLERANCES UNLESS OTHERWISE SPECIFIED: 0 PLC ±0.5 1 PLC ±0.3 2 PLC ±0.3 3 PLC ±0.3 4 PLC ± ANGLES ±° FINISH -	NAME COVER + LEVER AND PLUG HSG KIT FOR 18 POSITIONS MICRO QUADLOK SYSTEM CONNECTOR SIZE A2 CAGE CODE 00779 DRAWING NO. C=284666	
MATERIAL -	WEIGHT -	CUSTOMER DRAWING	SCALE 3:1 SHEET 2 OF 3 REV A1

REVISIONS				
P	LTR	DESCRIPTION	DATE	OWN
-	-	SEE SHEET 1	-	-



- 1 DIMENSION TO BE DEFINED BY THE CUSTOMER DEPENDING ON THE APPLICATION.
- 2 CONNECTOR MATING SEQUENCE ONTO THE HEADER:  
FIRST: CONNECTOR CODING -C-  
SECOND: CONNECTOR CODING -D-  
THIRD: CONNECTOR CODING -A-  
FOURTH: CONNECTOR CODING -B-
- 3 FOR PIN DIMENSIONS AND MATERIAL SEE AMP SPEC. 114-18063-1
- 4 SUGGESTED MATERIAL: THERMOPLASTIC GLASS FIBER FILLED
- 1 LE DIMENSIONI DEVONO ESSERE DEFINITE DAL CLIENTE IN BASE ALL'APPLICAZIONE.
- 2 SEQUENZA DELL'ACCOPIAMENTO DEL CONNETTORE SULLA DIMA:  
PRIMO: CONNETTORE CON POLARIZZAZIONE -C-  
SECONDO: CONNETTORE CON POLARIZZAZIONE -D-  
TERZO: CONNETTORE CON POLARIZZAZIONE -A-  
QUARTO: CONNETTORE CON POLARIZZAZIONE -B-
- 3 PER LE DIMENSIONI DEI PIN E PER IL MATERIALE, VEDERE SPEC. AMP 114-18063-1.
- 4 MATERIALE SUGGERITO: TERMOPLASTICO CARICATO VETRO.

DIMENSIONS:		TOLERANCES UNLESS OTHERWISE SPECIFIED:		DWN	M. PALMA	05JUL2000	 AMP Italia S.p.A. C.so F.lli Cervi 15 Collegno (TO)
mm		0 PLC ±0.5		CHK	R. MARTINI	05JUL2000	
		1 PLC ±0.3		APVD	A. GENTA	05JUL2000	
		2 PLC ±0.3		NAME			
		3 PLC ±0.3		PRODUCT SPEC			COVER + LEVER AND PLUG HSG KIT FOR 18 POSITIONS MICRO QUADLOK SYSTEM CONNECTOR
		4 PLC ±		APPLICATION SPEC			SIZE
		ANGLES ±		WEIGHT			A2
		FINISH ±°		CUSTOMER DRAWING			CAGE CODE
							00779
							DRAWING NO
							C=284666
							SCALE
							3:1
							SHEET
							3 OF 3
							REV
							A1

# Mouser Electronics

Authorized Distributor

Click to View Pricing, Inventory, Delivery & Lifecycle Information:

[TE Connectivity:](#)

[284666-1](#)