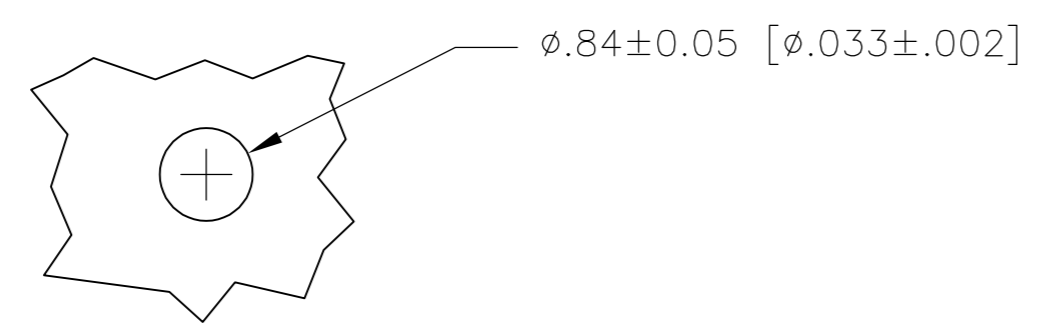
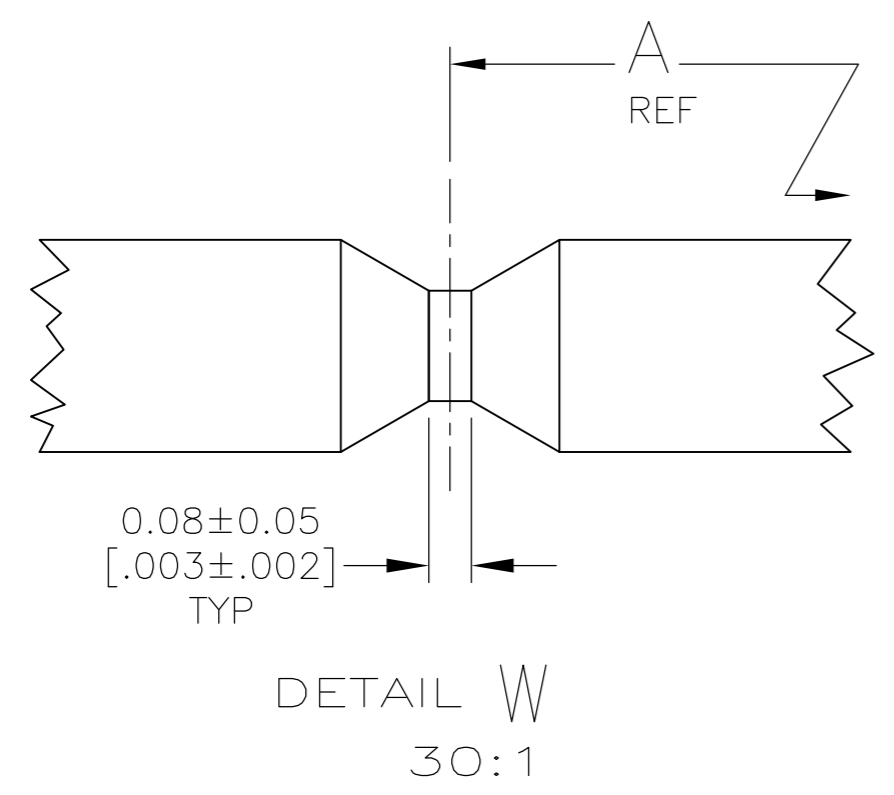
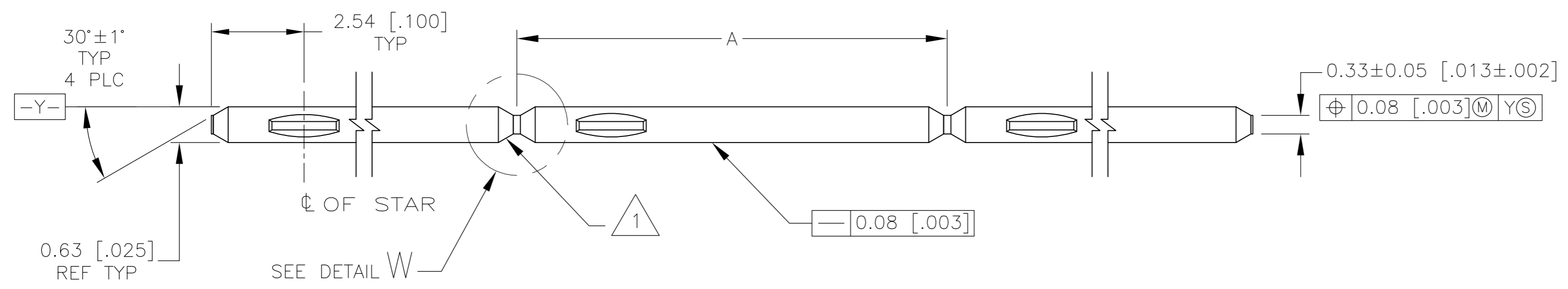


THIS DRAWING IS UNPUBLISHED. RELEASED FOR PUBLICATION  
 BY TYCO ELECTRONICS CORPORATION. ALL RIGHTS RESERVED.

LOC	DIST	REVISIONS			
P	LTR	DESCRIPTION	DATE	DWN	APVD
	D	ECO-07-021031	11SEP07	MB	JG
	D1	REVISED PER ECO-09-020689	25AUG09	KK	AEG

- 1 THE NOTCHED EDGES AND POST TIPS WILL NOT BE PLATED.
- 2 0.00254-0.00508 [.000100-.000200] MATTE TIN OVER 0.00127 [.000050] MIN NICKEL.
- 3 OBSOLETE PARTS: OBSOLETE CIS STREAMLINING PER D.RENAUD/D.SINISI



RECOMMENDED TIN PLATED HOLE SIZE

25.40	[1.000]	6-147433-1
25.15	-.990]	6-147433-0
24.89	-.980]	5-147433-9
24.64	-.970]	5-147433-8
24.38	-.960]	5-147433-7
24.13	-.950]	5-147433-6
23.88	-.940]	5-147433-5
23.62	-.930]	5-147433-4
23.37	-.920]	5-147433-3
23.11	-.910]	5-147433-2
22.86	-.900]	5-147433-1
22.61	-.890]	5-147433-0
22.35	-.880]	4-147433-9
22.10	-.870]	4-147433-8
21.84	-.860]	4-147433-7
21.59	-.850]	4-147433-6
21.34	-.840]	4-147433-5
21.08	-.830]	4-147433-4
20.83	-.820]	4-147433-3
20.57	-.810]	4-147433-2
20.32	-.800]	4-147433-1
20.07	-.790]	4-147433-0
19.81	-.780]	3-147433-9
19.56	-.770]	3-147433-8
19.30	-.760]	3-147433-7
19.05	-.750]	3-147433-6
18.80	-.740]	3-147433-5
18.54	-.730]	3-147433-4
18.28	-.720]	3-147433-3
18.03	-.710]	3-147433-2
17.78	-.700]	3-147433-1
17.53	-.690]	3-147433-0
17.27	-.680]	2-147433-9
17.02	-.670]	2-147433-8
16.76	-.660]	2-147433-7
16.51	-.650]	2-147433-6
16.26	-.640]	2-147433-5
16.00	-.630]	2-147433-4
15.75	-.620]	2-147433-3
15.49	-.610]	2-147433-2
15.24	-.600]	2-147433-1
14.99	-.590]	2-147433-0
14.73	-.580]	1-147433-9
14.48	-.570]	1-147433-8
14.22	-.560]	1-147433-7
13.97	-.550]	1-147433-6
13.72	-.540]	1-147433-5
13.46	-.530]	1-147433-4
13.21	-.520]	1-147433-3
12.95	-.510]	1-147433-2
12.70	-.500]	1-147433-1
12.45	-.490]	1-147433-0
12.19	-.480]	147433-9
11.94	-.470]	147433-8
11.68	-.460]	147433-7
11.43	-.450]	147433-6
11.18	-.440]	147433-5
10.92	-.430]	147433-4
10.67	-.420]	147433-3
10.41	-.410]	147433-2
10.16	-.400]	147433-1

OBSOLETE  
 3  
 OBSOLETE  
 3

THIS DRAWING IS A CONTROLLED DOCUMENT.		DWN B. HAYMAKER 07JUL00	Tyco Electronics Corporation Harrisburg, PA 17105-3608	
DIMENSIONS: INCHES		CHK J. GESFORD 07JUL00	NAME .025 SQUARE CONTINUOUS POST WITH STAR FEATURE	
TOLERANCES UNLESS OTHERWISE SPECIFIED:		APVD J. GESFORD 07JUL00	RESTRICTED TO	
0 PLC	± -	PRODUCT SPEC	SIZE	CAGE CODE
1 PLC	± -	APPLICATION SPEC	A2	00779
2 PLC	± -	114-13011	DRAWING NO	C-147433
3 PLC	± 0.13[.005]	WEIGHT	SCALE	15:1
4 PLC	± -	CUSTOMER DRAWING	SHEET	1 of 1
ANGLES	± -		REV	D1
FINISH	- 2			

# Mouser Electronics

Authorized Distributor

Click to View Pricing, Inventory, Delivery & Lifecycle Information:

[TE Connectivity:](#)

[147433-5](#)