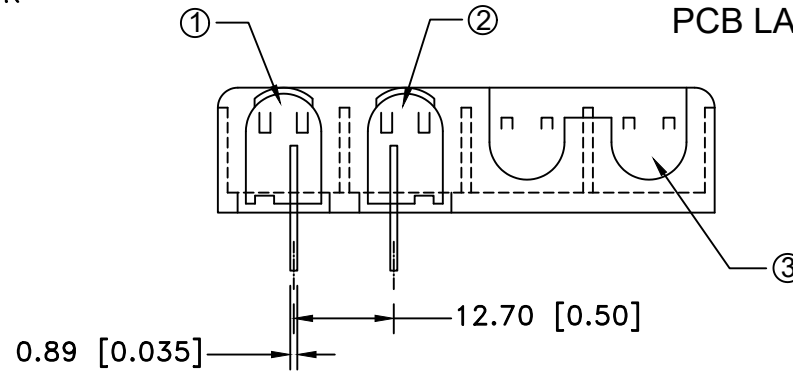
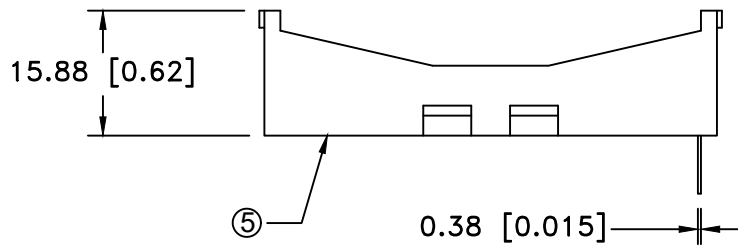
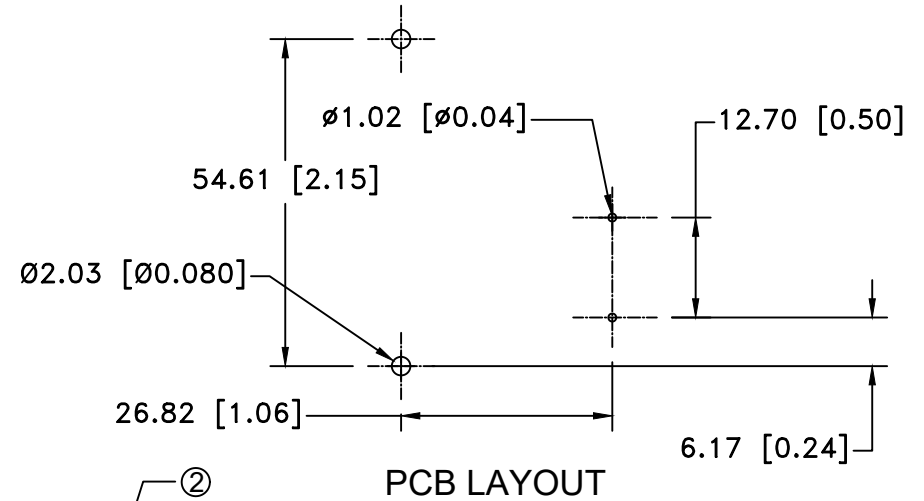
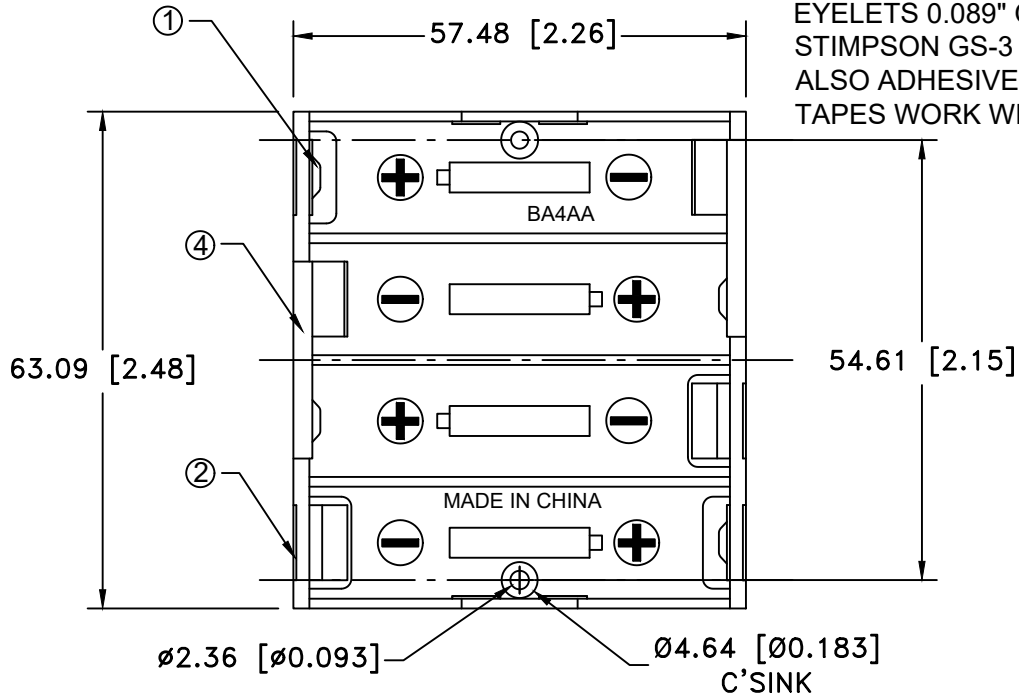


**MOUNTING INSTRUCTION:**

USE 2-56 MACHINE SCREWS OR EYELETS 0.089" OD BY 0.15" FLANGE STIMPSON GS-3 SERIES OR EQUIVALENT. ALSO ADHESIVES AND DOUBLE SIDED TAPES WORK WELL.

Date	SYM	REVISION RECORD	AUTH	DR.	CK.
4/05/13	A	UPDATED TO "ROHS 2 COMPLIANT"	T.B.	B.S.	
5/11/18	B	DIM. 2.03 WAS 2.36 DIM. 4.64 WAS 4.57	T.B.	B.S.	



ROHS 2 COMPLIANT

ITEM NO.	PART NO.	MATL. SPECIFICATION	QTY.	Tolerance (Except as noted)	MPD Memory Protection Devices, Inc 200 Broad Hollow Road, Farmingdale, New York 11735		
1	ABG-194	POSITIVE CONTACT, 302 STAINLESS STEEL, NICKLE PLTD.	2	decimal	Scale	Drawn By B.S. Approved By T.B.	
2	ABG-195	NEGATIVE CONTACT, 302 STAINLESS STEEL, NICKLE PLTD.	2	$\pm .5$ (.020)			
3	ABG-196-1	RIGHT NEG./POS. CONTACT, 302 STAINLESS STEEL, NICKLE PLTD.	1	Fractional	Title FOUR "AA" CELL SPRINGLESS HOLDER		
4	ABG-196-2	LEFT NEG./POS. CONTACT, 302 STAINLESS STEEL, NICKLE PLTD.	1	$\pm .8$ (.030)			
5	ABG-187	BLACK POLYPROPYLENE HOLDER, UL94V-0	1	Angular	Date	Drawing Number	
				$\pm 3^\circ$	05/11/18	BA4AAPC-UL94V-0	