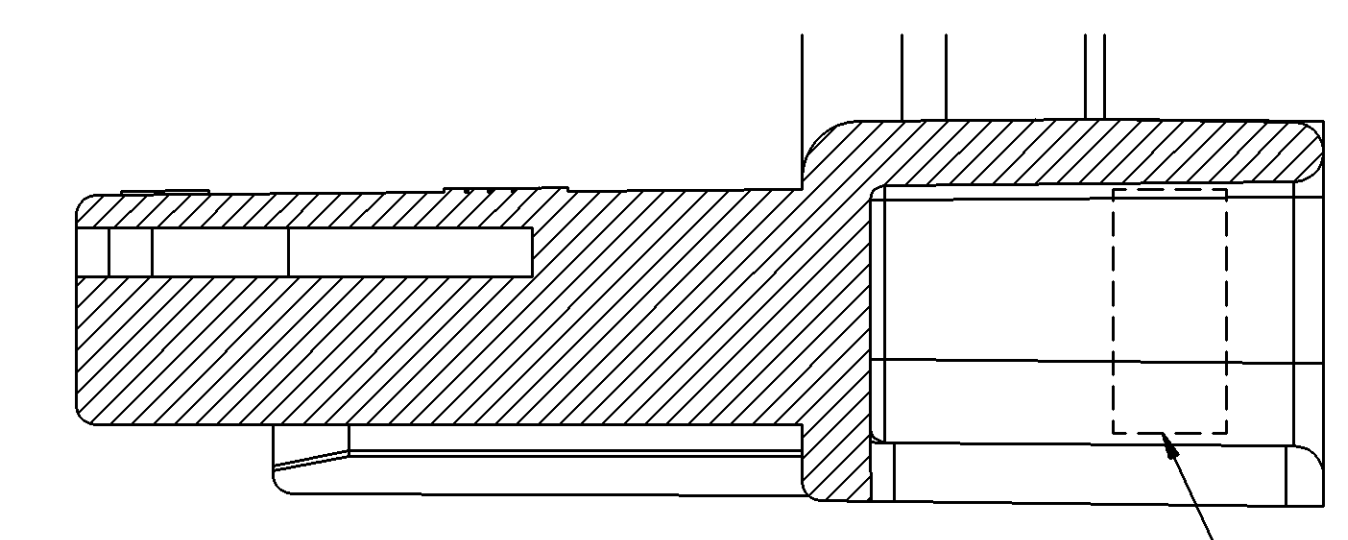
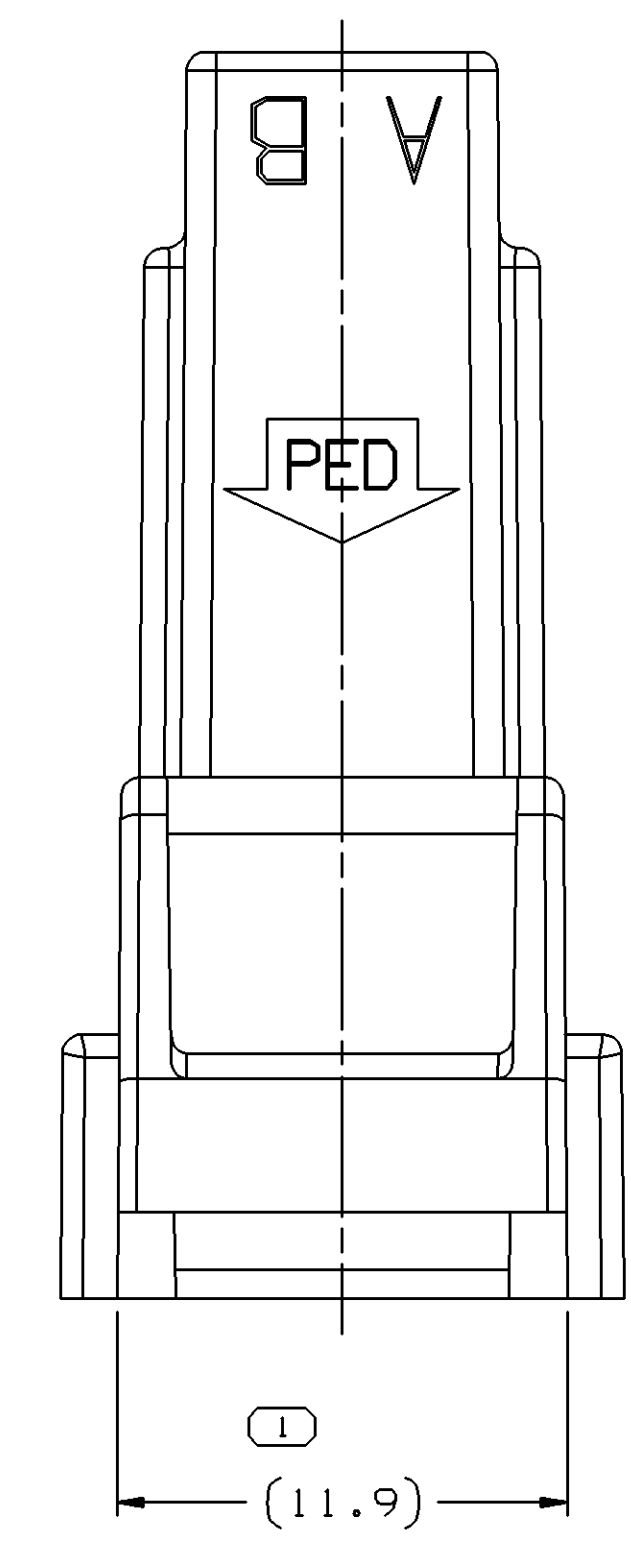
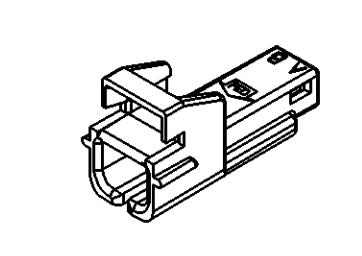
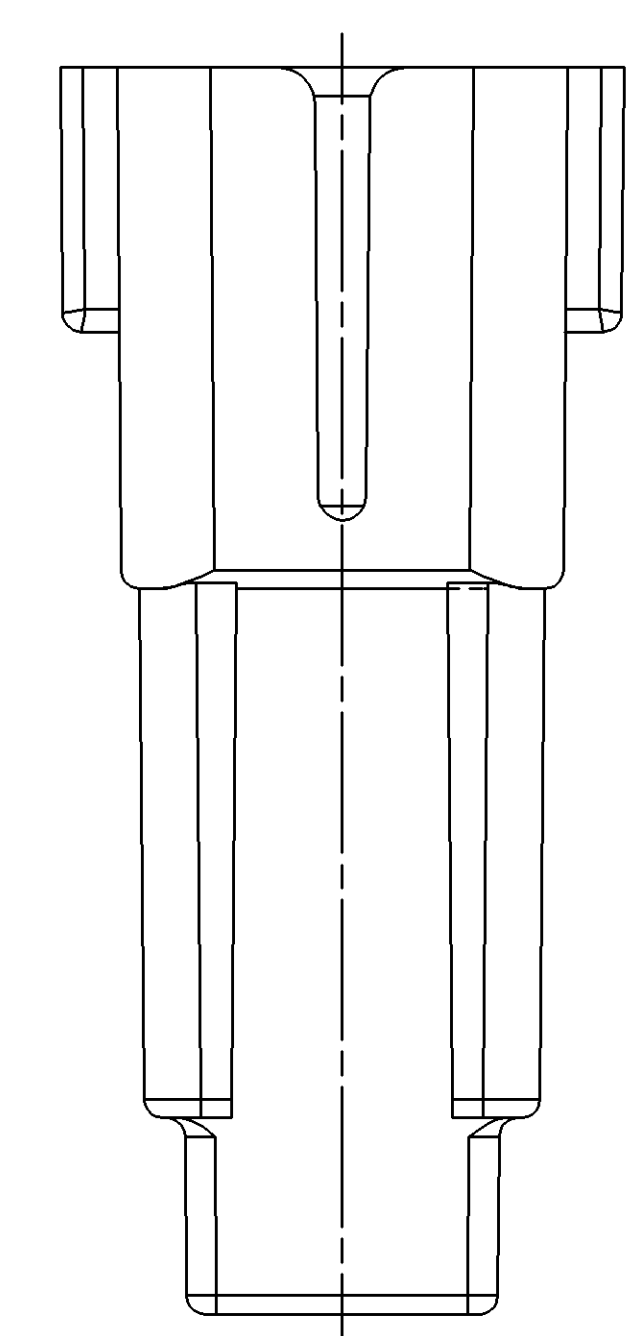
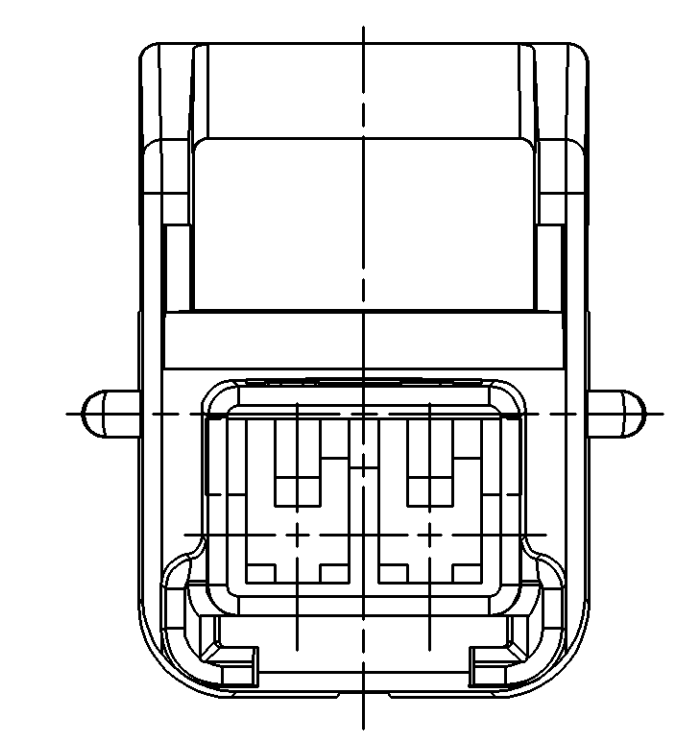
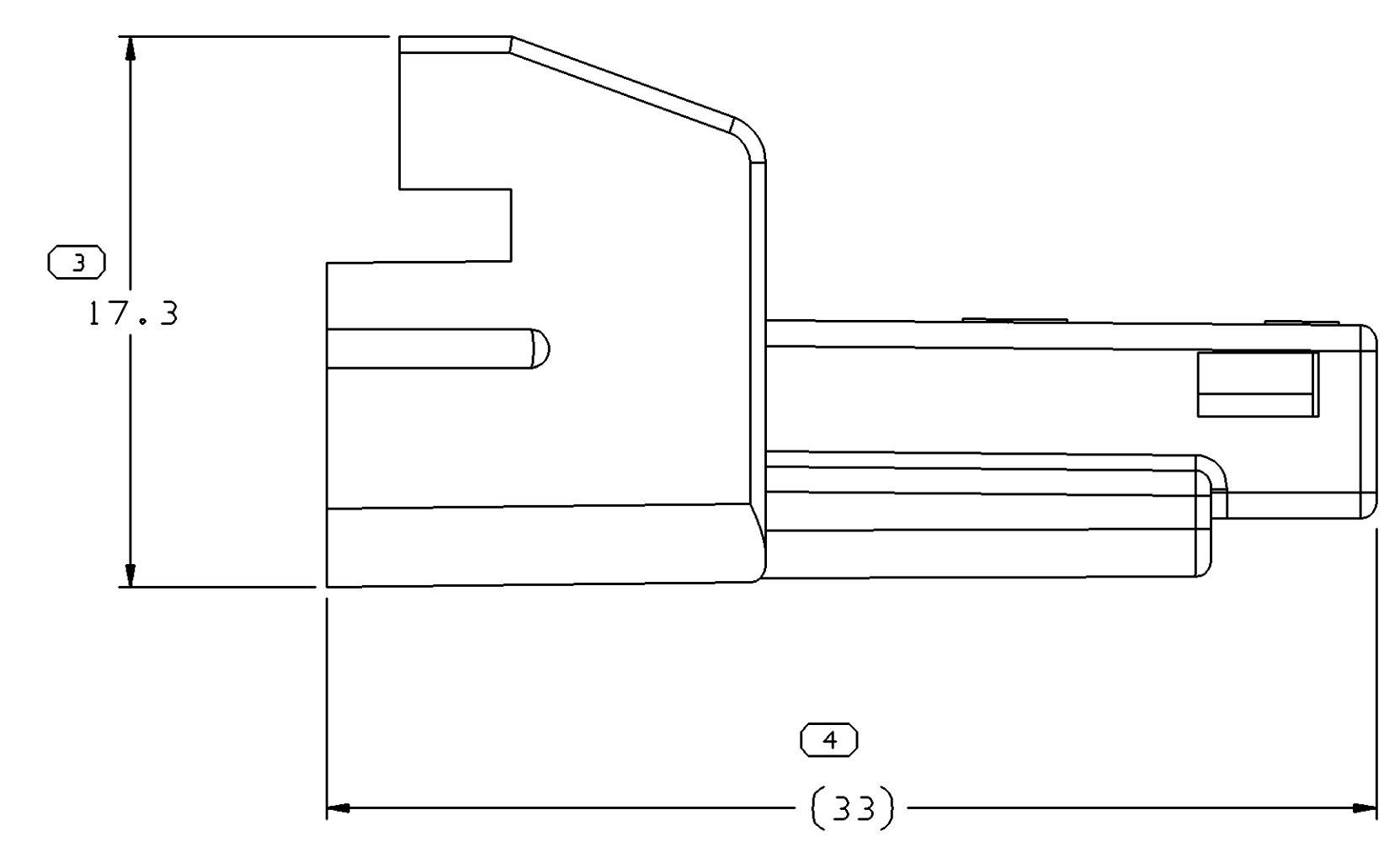
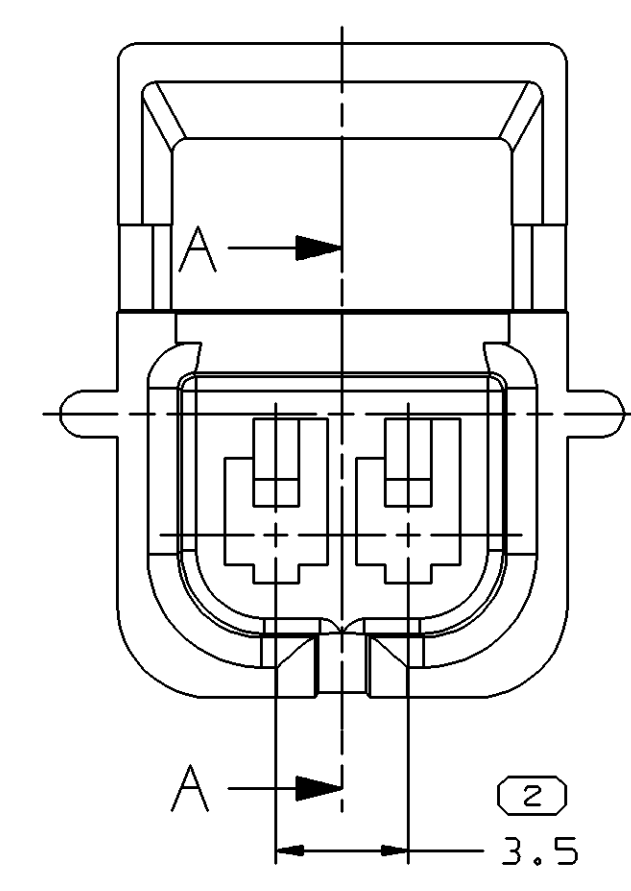


SYMBOL DEFINITION		MISSING NUMBERS		DWO STATUS				REVISION HISTORY				AUTH	DR	APVD1	APVD2	
THE NUMBER INSIDE THE SYMBOL CORRESPONDS TO THE NUMBER ON THE INSPECTION REPORT FOR THIS DRAWING/PART NUMBER	TOTAL NO. OF SYMBOLS ON DRAWING	LAST NO. USED		DATE	STG	REV	N/P	CHO	ZONE							
	4			21 JUN 99	R	03	-	-		REDRAWN TO PART DRAWING AND MAT'L SPEC WAS R0100151	193551	JTG	FKV	JR		
				17 FEB 00	R	03	AA	-		DIM 17.3 WAS DIM (17.3)	199280	RGT	HH	EAR		
				06 NOV 03	R	03	AB	-		ADDED PULLOUT GROOVES ACCEPTABLE NOTE	247373	JEB	JEB	BG		



SECTION A - A
PULLOUT GROOVES ACCEPTABLE THIS AREA.



- NOTES
- UNLESS OTHERWISE SPECIFIED AND/OR INDICATED: DIMENSIONS ARE TO FACE OF VIEW SHOWN AND AUTOMATICALLY ROUNDED BY COMPUTER FOR INSPECTION. (SEE MATH MODEL FOR PRECISE DIMENSIONS.) FOR ALL OTHER DIMENSIONS NOT SHOWN BUT REQUIRED FOR TOOL BUILD, SEE MATH MODEL FOR PRECISE TOOL PATH DATA.
 - MATING COMPONENTS OR EQUIVALENT: CONNECTOR 12052832
 - THIS PART ACCEPTS THE FOLLOWING COMPONENTS OR EQUIVALENT: MAX. INSULATION CRIMP MUST BE LESS THAN 3 HIGH AND 2.6 WIDE CAVITIES TO ACCEPT 12040993 TERMINAL OR EQUIVALENT. SECONDARY TERMINAL LOCK 12047665 OR EQUIVALENT.
 - THIS CONNECTOR WILL PASS THROUGH A $\phi 20$ MIN HOLE.

3 PROCESS SENSITIVE DIMENSION	
DIMENSIONS ENCLOSED IN () INDICATE RETRACTION DIMENSIONS AND NO TOLERANCE LIMITS ARE ESTABLISHED	CHART E
DIMENSIONAL RANGE (MM)	FROM TO
4.0 > 20 > 30 > 70 > 100	±0.15 ±0.2 ±0.3 ±0.4 ±0.5
TOLERANCE UNLESS OTHERWISE SPECIFIED	
ANGULAR TOLERANCE 12°	

DWO TYPE PART DRAWING	
STYLE	DISTR CODE
VOLUME (COP)	6900,6901
ROUTING	
UNLESS OTHERWISE SPECIFIED	
THIS DOCUMENT IS IN ACCORDANCE WITH ASME Y14.5M-1994 AS AMENDED BY THE ON-SIGNAL DIMENSIONING AND TOLERANCING ADDENDUM-2003. SEPARATE PATTERNING OF FEATURES MAY BE GIVEN SEPARATELY REGARDLESS OF DATUM REFERENCES.	
ALL DIMENSIONS ARE IN MILLIMETERS	
REFERENCE	001,701

DELPHI
DELPHI PACKARD ELECTRIC SYSTEMS
WARREN, OH

DR	DATE					
APVD1 ANDY T. LE	250CB5					
APVD2 F. HESTON	310CB5					
APVD3 R. PETROSKY	05NOB5					
APVD4						
APVD5						
SUBSTANCES OF CONCERN AND RECYCLED CONTENT PER DELPHI 10949001						
MATERIAL M3592001 PLAS PA66 HS 1M BLK						
DRAWING NAME						
CONN 2 M M/P 150 BLK						
DRAWING NUMBER						
12052833						
SIZE	SCALE	FRAME NO	SHEET NO	STG	REV	N/P
A0	5:1	1	1	1	R	03

Mouser Electronics

Authorized Distributor

Click to View Pricing, Inventory, Delivery & Lifecycle Information:

[Aptiv:](#)

[12052833](#)