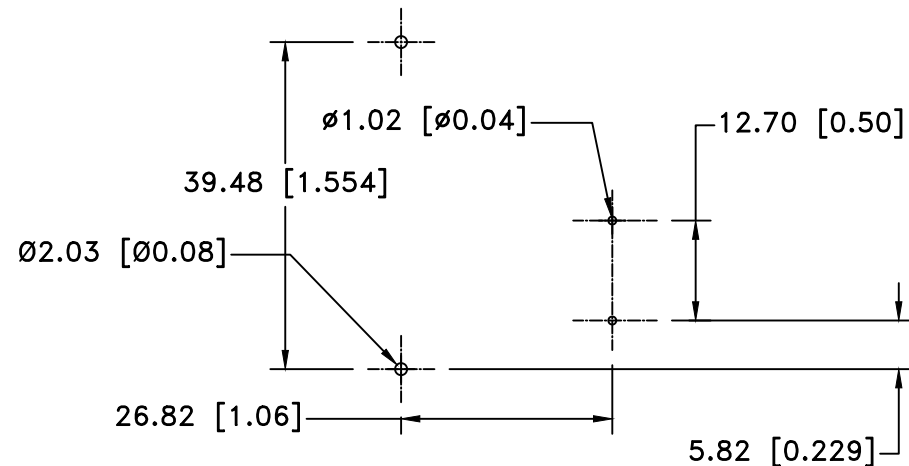
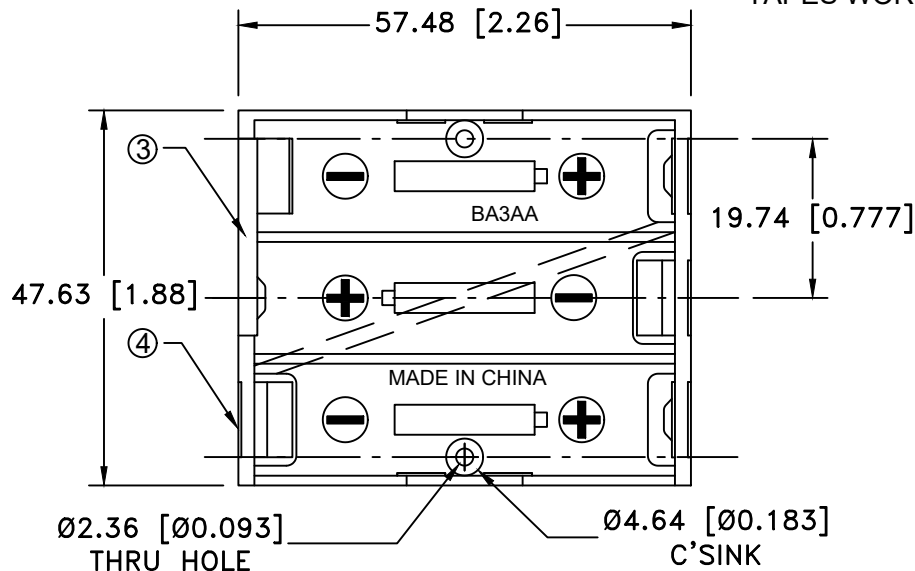


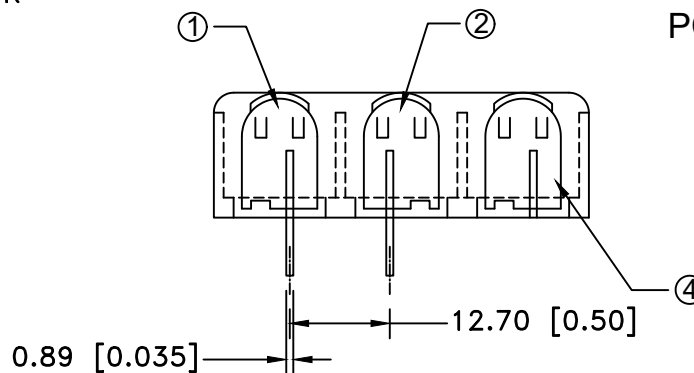
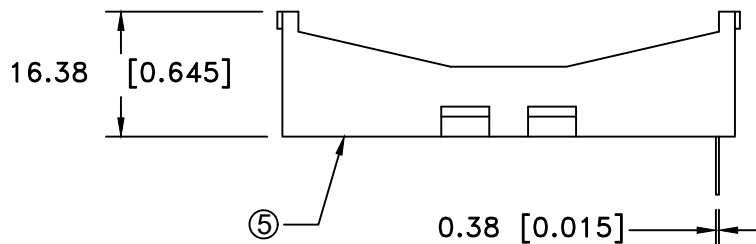
MOUNTING INSTRUCTION:

USE 2-56 MACHINE SCREWS OR EYELETS 0.089" OD BY 0.15" FLANGE STIMPSON GS-3 SERIES OR EQUIVALENT. ALSO ADHESIVES AND DOUBLE SIDED TAPES WORK WELL.

Date	SYM	REVISION RECORD	AUTH	DR.	CK.
10/17/14	A	Updated to ROHS 2 Compliant Added Specification	T.B.	B.S.	
01/29/16	B	Updated Flammability Rating	T.B.	B.S.	
05/11/18	C	Dim. 2.03 was 2.36 Dim. 4.64 was 4.70	T.B.	B.S.	



PCB LAYOUT



ROHS 2 COMPLIANT

ITEM NO.	PART NO.	MATL. SPECIFICATION	QTY.	Tolerance (Except as noted)	MPD Memory Protection Devices, Inc 200 Broad Hollow Road, Farmingdale, New York 11735		
1	ABG-194	POSITIVE CONTACT, 302 STAINLESS STEEL, NICKLE PLTD.	2	decimal	Scale	Drawn By B.S. Approved By T.B.	
2	ABG-195	NEGATIVE CONTACT, 302 STAINLESS STEEL, NICKLE PLTD.	1	$\pm .5$ (.020)			
3	ABG-196-1	RIGHT NEG./POS. CONTACT, 302 STAINLESS STEEL, NICKLE PLTD.	1	Fractional	Title THREE "AA" CELL SPRINGLESS HOLDER		
4	ABG-201	ASSY. NEG./POS. CONTACT, 302 STAINLESS STEEL, NICKLE PLTD.	1	$\pm .8$ (.030)			
5	ABG-198	BLACK POLYPROPYLENE HOLDER, UL94-V0	1	Angular	Date	Drawing Number	
SPECIFICATION: 1. HOUSING : BLACK POLYPROPYLENE, PP-1040 FLAMMABILITY RATING -UL94-v-0, UL FILE NO. E216959 TEMPERATURE RANGE: -10°C to +100°C CONTACT RESISTANCE: UNDER 50mΩ FOR +/- CONTACTS PER EIA-540J000				$\pm 3^\circ$	05/11/18	BA3AAPC-UL94V-0	