

THIS DRAWING IS UNPUBLISHED.

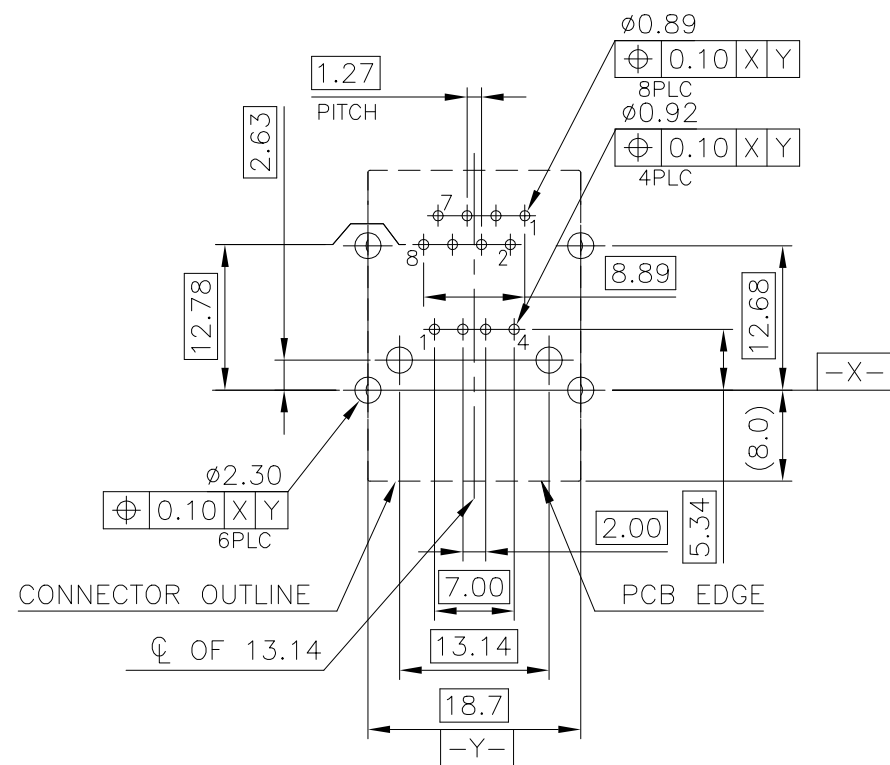
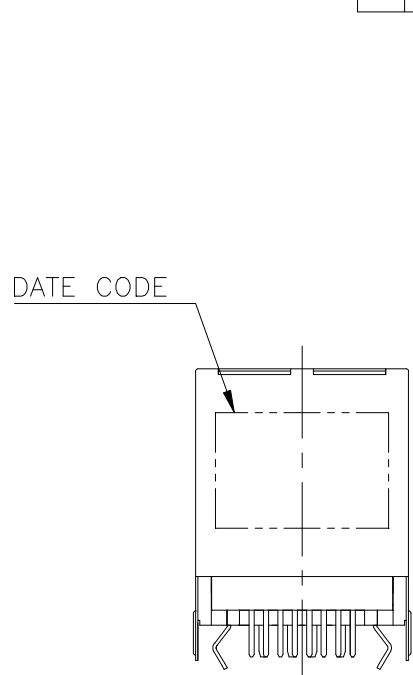
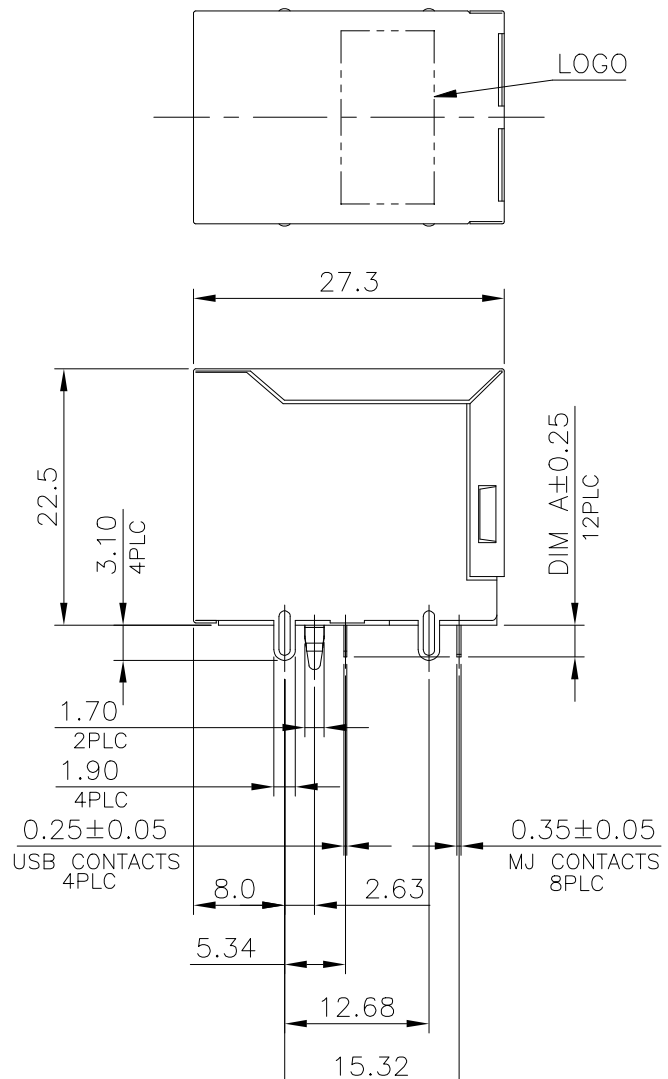
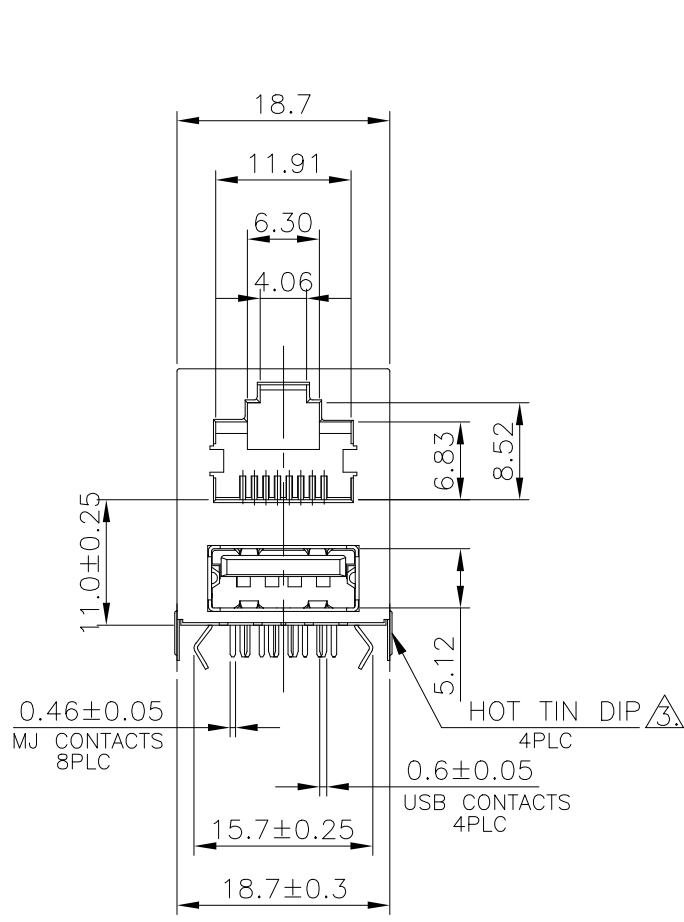
RELEASED FOR PUBLICATION

© COPYRIGHT - TE Connectivity Ltd.

ALL RIGHTS RESERVED.

REVISIONS

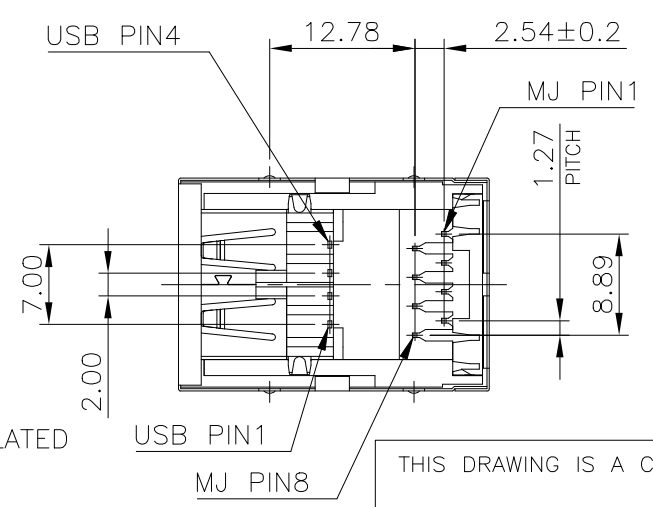
P	LTR	DESCRIPTION	DATE	DWN	APVD
E		REVISE PER ECO-18-001534	30JAN2018	LL	SH



RECOMMENDED PCB LAYOUT  
 RECOMMENDED PCB THICKNESS: 1.6mm  
 TOLERANCE: ±0.05 (TOP VIEW)

NOTE:

- MATERIAL:
  - MJ HOUSING: PBT, WITH 30% GF, UL94 V-0, COLOR: SEE TABLE.
  - MJ CONTACTS: PHOSPHOR BRONZE.
  - MJ SHIELD: BRASS.
  - USB HOUSING: PBT, UL94 V-0, COLOR: SEE TABLE.
  - USB CONTACTS: BRASS.
  - USB SHIELD: SPCC.
- FINISH:
  - MJ CONTACTS: SELECTIVE GOLD PLATED (SEE TABLE) ON CONTACT AREA, GOLD FLASH ON SOLDER TAILS, 1.27um [50u"] MIN. NICKEL UNDERPLATED OVERALL.
  - MJ SHIELD: 0.508um [20u"] MIN. NICKEL PLATED.
  - USB CONTACT: SELECTIVE GOLD PLATED (SEE TABLE) ON CONTACT AREA, 2.54um [100u"] MIN. BRIGHT-TIN PLATED ON SOLDER TAILS, 1.27um [50u"] MIN. NICKEL UNDERPLATED OVERALL.
  - USB SHIELD: 2.032um [80u"] MIN. NICKEL PLATED.
- HOT TIN DIP ON SHELL'S LEGS.
- WAVE SOLDER CAPABLE TO 265°C PER TE CONNECTIVITY SPEC. 109-202, CONDITION B.
- RJ45 CAVITY CONFIRMS TO FCC RULES AND REGULATIONS PART 68, SUBPART F.



STATUS	HTD	HTD	HTD	HTD	HTD	HTD	HTD	HTD	HTD	HTD
OBSOLETE	12.61	WITHOUT HTD	2.8	BLACK	0.762um [30u"]	-3-1775855-1				
				COOL GRAY 1C	GOLD FLASH	-2-1775855-2				
		WITH HTD	2.6	BLACK	GOLD FLASH	-2-1775855-1				
				BLACK	0.762um [30u"]	1-1775855-1				
				BLACK	GOLD FLASH	1775855-3				
				GOOL GRAY 1C	GOLD FLASH	1775855-2				
			2.8	BLACK	GOLD FLASH	1775855-1				
WEIGHT (gram)	HOT TIN DIP ON SHELL'S LEGS	DIM A	HOUSING COLOR	MIN. GOLD THICKNESS	PART NUMBER					

THIS DRAWING IS A CONTROLLED DOCUMENT.

DIMENSIONS:	TOLERANCES UNLESS OTHERWISE SPECIFIED:
mm	
0 PLC	± -
1 PLC	± 0.3
2 PLC	± 0.2
3 PLC	± 0.15
4 PLC	± -
ANGLES	± 3'
MATERIAL	FINISH
SEE TABEL	-

APVD: W. KODAMA  
 PRODUCT SPEC: 108-57802  
 APPLICATION SPEC: -  
 WEIGHT: -  
 CUSTOMER DRAWING

**TE** TE Connectivity Ltd.

NAME: MODULAR JACK, RJ45, STACKED OVER, USB CONN., DIP TYPE

SIZE	CAGE CODE	DRAWING NO	RESTRICTED TO
A3	00779	1775855	-

SCALE: 1:1 SHEET: 1 of 5 REV: E

THIS DRAWING IS UNPUBLISHED.

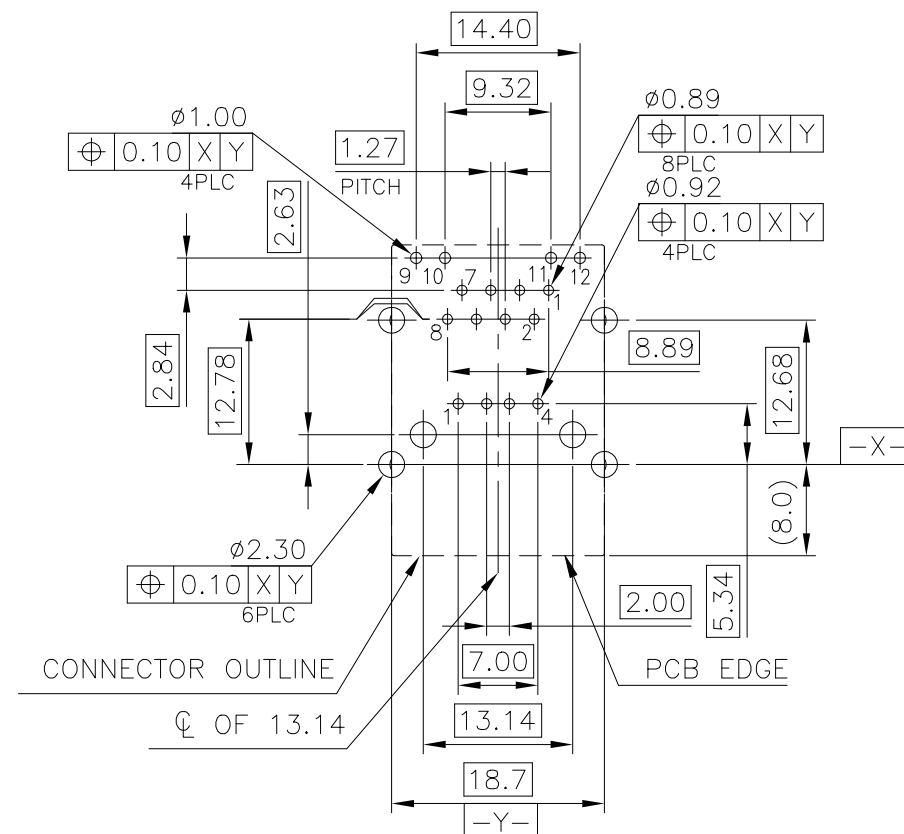
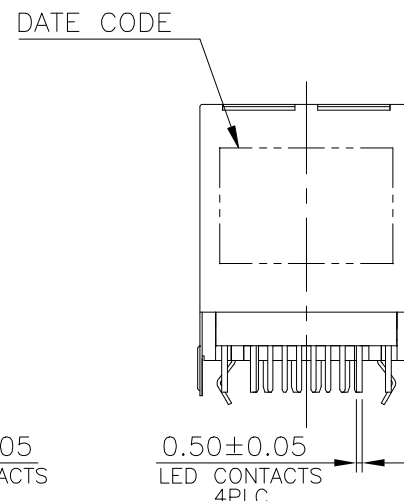
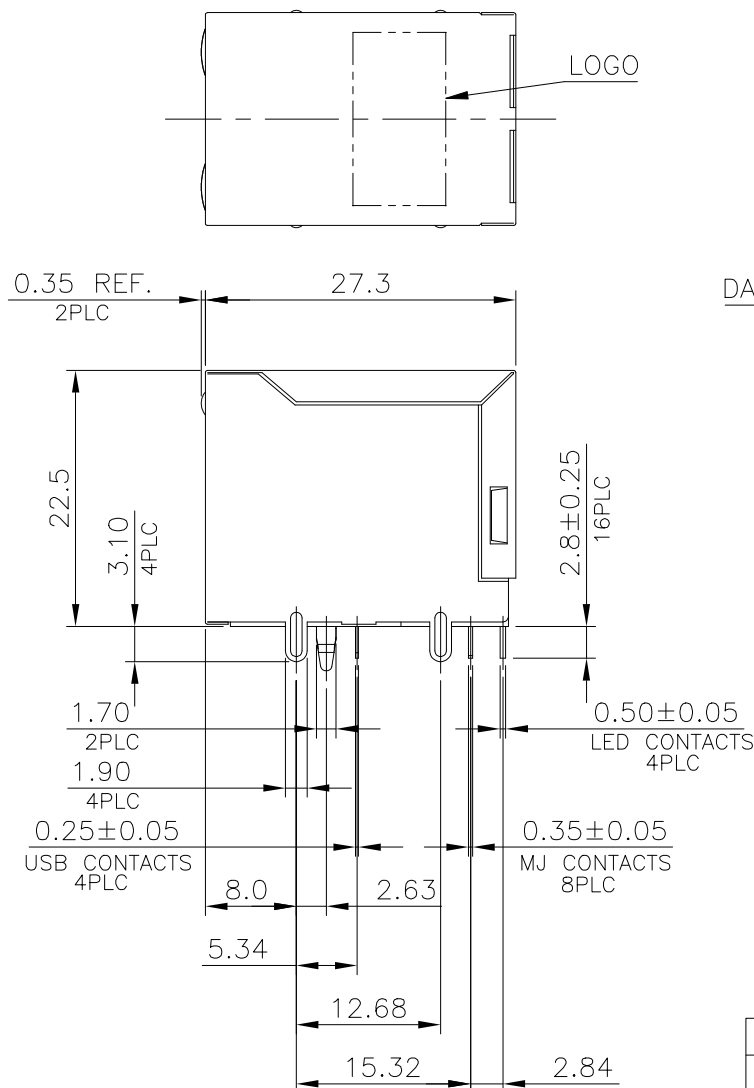
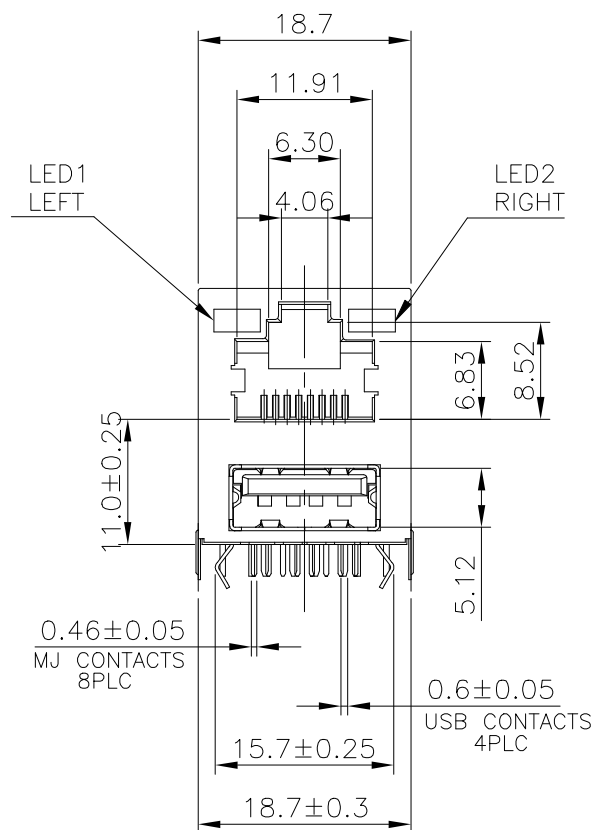
RELEASED FOR PUBLICATION

© COPYRIGHT - TE Connectivity Ltd.

ALL RIGHTS RESERVED.

REVISIONS

P	LTR	DESCRIPTION	DATE	DWN	APVD
-	-	SEE SHEET 1	-	-	-



RECOMMENDED PCB LAYOUT  
 RECOMMENDED PCB THICKNESS: 1.6mm  
 TOLERANCE: ±0.05 (TOP VIEW)

NOTE:

1. MATERIAL:

- 1.1 MJ HOUSING & LED COVER: PBT, WITH 30% GF, UL94V-0, BLACK COLOR.
- 1.2 MJ CONTACTS: PHOSPHOR BRONZE.
- 1.3 MJ SHIELD: BRASS.
- 1.4 LED SOLDER TAIL: EPOXY, STEEL.
- 1.5 USB HOUSING: PBT, UL94V-0, BLACK COLOR.
- 1.6 USB CONTACTS: BRASS.
- 1.7 USB SHIELD: SPCC.

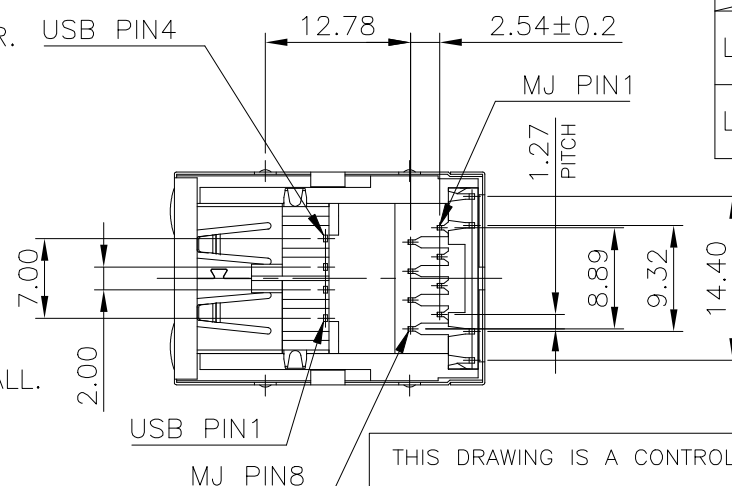
2. FINISH:

- 2.1 MJ CONTACTS:  
GOLD FLASH PLATED ON CONTACT AREA,  
GOLD FLASH ON SOLDER TAILS,  
1.27um [50u"] MIN. NICKEL UNDERPLATED OVERALL.
- 2.2 MJ SHIELD: 0.508um [20u"] MIN. NICKEL PLATED.
- 2.3 LED SOLDER TAIL:  
1.02um [40u"] COPPER UNDERPLATED OVERALL.  
1.27um [50u"] NICKEL OVERALL.  
1.27um [50u"] SILVER ON BONDING AREA.  
2.54um [100u"] BRIGHT-TIN ON SOLDER AREA.
- 2.4 USB CONTACT: GOLD FLASH PLATED ON CONTACT AREA,  
2.54um [100u"] MIN. BRIGHT-TIN PLATED ON SOLDER TAILS,  
1.27um [50u"] MIN. NICKEL UNDERPLATED OVERALL.
- 2.5 USB SHIELD: 2.032um [80u"] MIN. NICKEL PLATED.

3. WAVE SOLDER CAPABLE TO 265°C PER TE CONNECTIVITY SPEC. 109-202, CONDITION B.

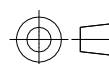
FOR 4-1775855-1			
LED ELECTRICAL CHARACTERISTIC			
	NODE	COLOR	
LED LEFT	9(+)	10(-)	ORANGE 9-↗-10
	9(-)	10(+)	GREEN 9-↖-10
LED RIGHT	11(+)	12(-)	ORANGE 11-↗-12
	11(-)	12(+)	GREEN 11-↖-12

FOR 4-1775855-2			
LED ELECTRICAL CHARACTERISTIC			
	NODE	COLOR	
LED LEFT	9(+)	10(-)	GREEN 9-↗-10
	9(-)	10(+)	ORANGE 9-↖-10
LED RIGHT	11(+)	12(-)	GREEN 11-↗-12



THIS DRAWING IS A CONTROLLED DOCUMENT.

DIMENSIONS: mm



MATERIAL SEE TABEL

TOLERANCES UNLESS OTHERWISE SPECIFIED:

0 PLC	± -
1 PLC	± 0.3
2 PLC	± 0.2
3 PLC	± 0.15
4 PLC	± -
ANGLES	± 3'
FINISH	-

DWN 12JUN2009

B. HSING

CHK 12JUN2009

S. CHIEN

APVD 12JUN2009

W. KODAMA

PRODUCT SPEC

108-57802

APPLICATION SPEC

WEIGHT -

CUSTOMER DRAWING

13.11	GREEN/ORANGE	GREEN	4-1775855-2
	ORANGE/GREEN	ORANGE/GREEN	4-1775855-1
WEIGHT (gram)	LEFT	RIGHT	PART NUMBER
	LED COLORS		

TE Connectivity Ltd.

NAME MODULAR JACK, RJ45, STACKED OVER, USB CONN., DIP TYPE

SIZE A3 CAGE CODE 00779 DRAWING NO 1775855 RESTRICTED TO -

SCALE 1:1 SHEET 2 of 5 REV E

THIS DRAWING IS UNPUBLISHED.

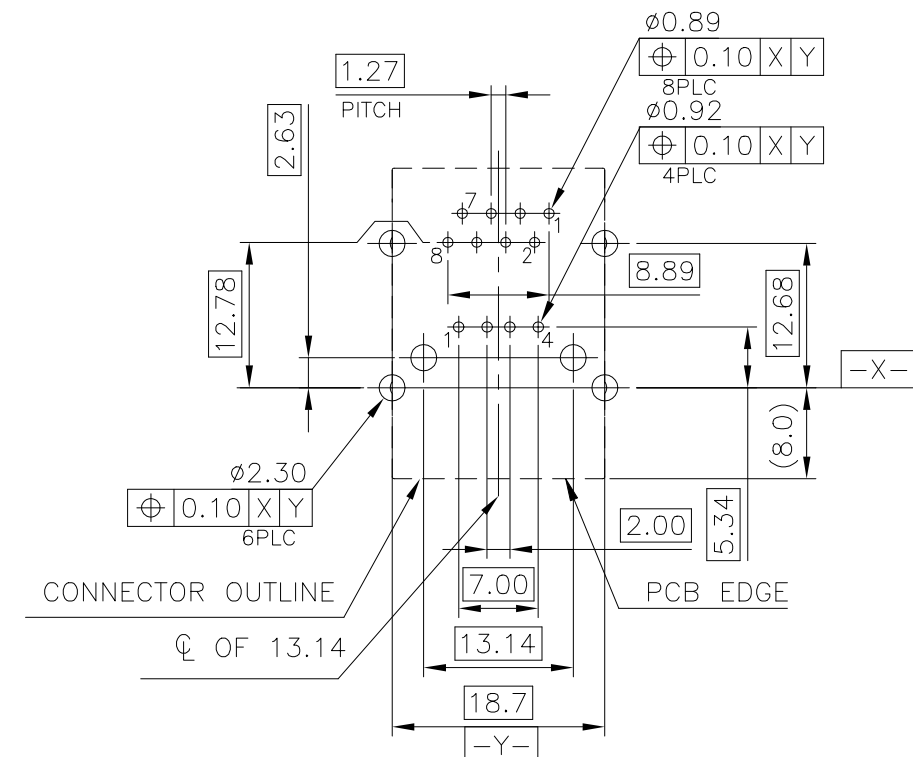
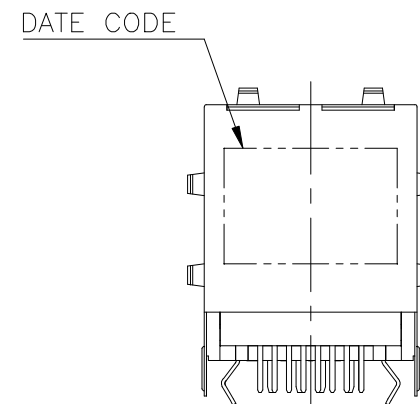
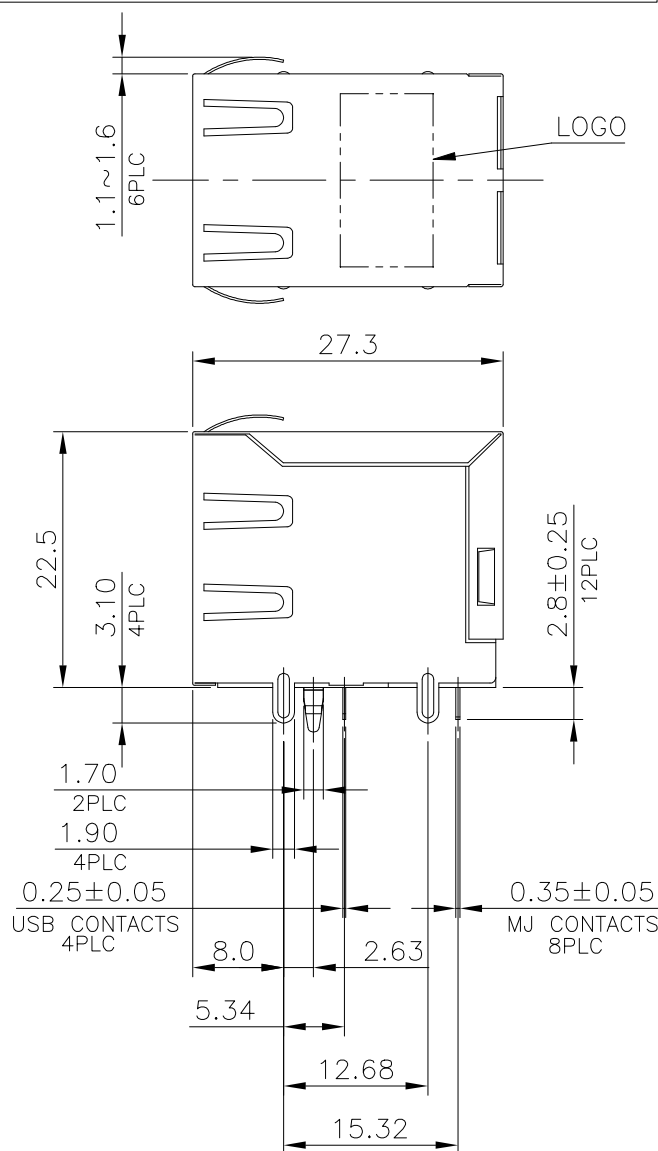
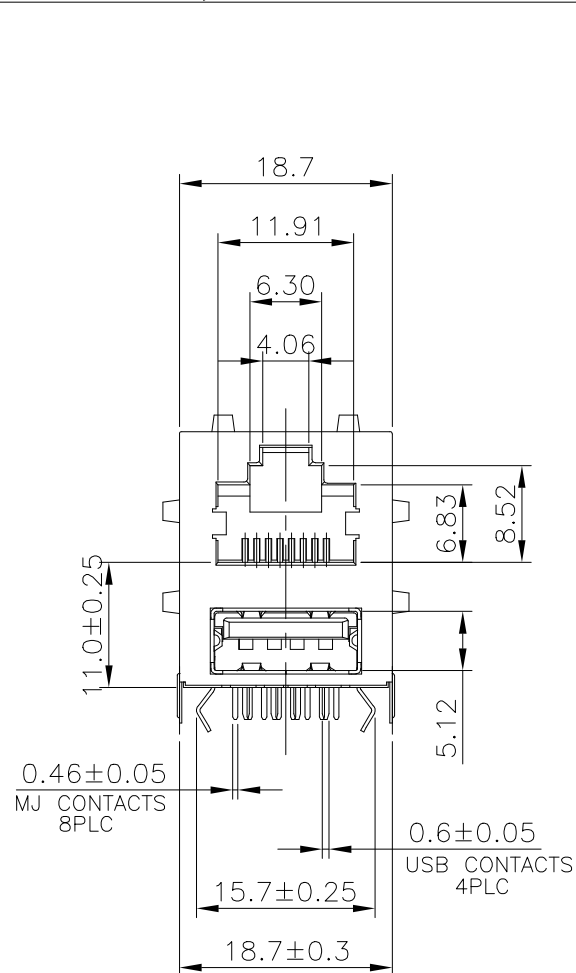
RELEASED FOR PUBLICATION

© COPYRIGHT - TE Connectivity Ltd.

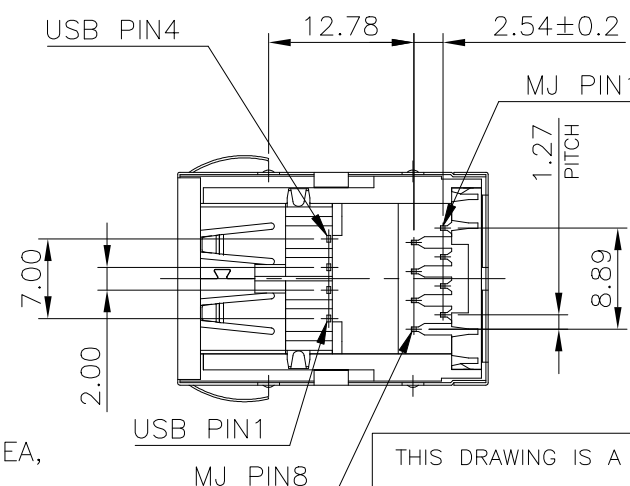
ALL RIGHTS RESERVED.

REVISIONS

P	LTR	DESCRIPTION	DATE	DWN	APVD
-	-	SEE SHEET 1	-	-	-



RECOMMENDED PCB LAYOUT  
 RECOMMENDED PCB THICKNESS: 1.6mm  
 TOLERANCE: ±0.05 (TOP VIEW)



NOTE:

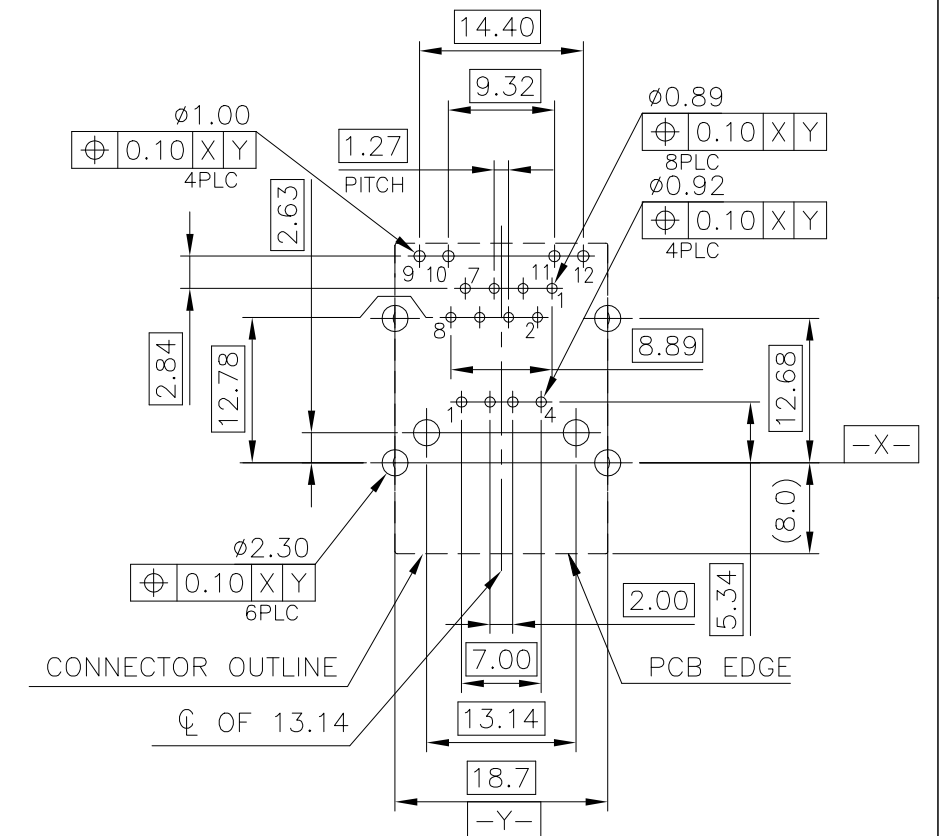
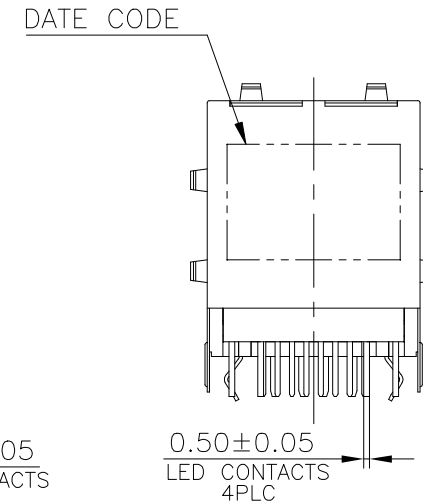
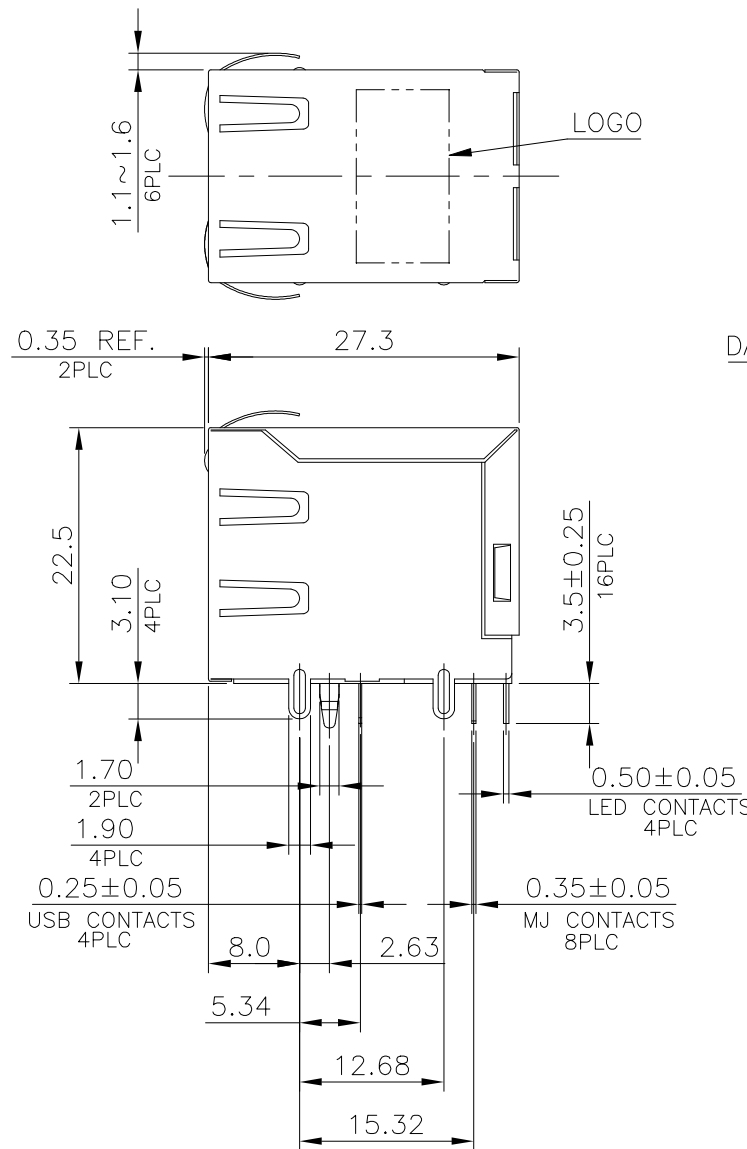
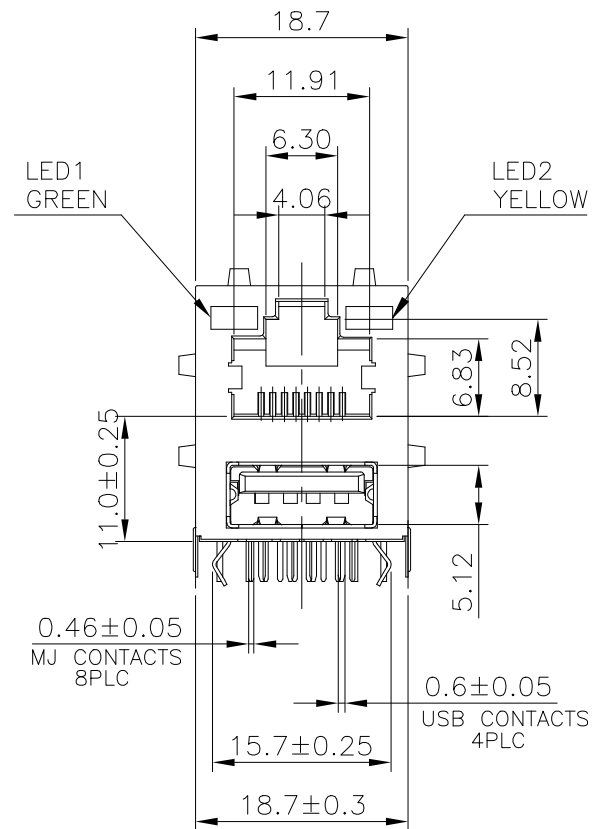
- MATERIAL:
  - MJ HOUSING: PBT, WITH 30% GF, UL94V-0, COLOR: SEE TABLE.
  - MJ CONTACTS: PHOSPHOR BRONZE.
  - MJ SHIELD: BRASS.
  - USB HOUSING: PBT, UL94V-0, COLOR: SEE TABLE.
  - USB CONTACTS: BRASS.
  - USB SHIELD: SPCC.
- FINISH:
  - MJ CONTACTS: GOLD FLASH PLATED ON CONTACT AREA, GOLD FLASH ON SOLDER TAILS, 1.27um [50u"] MIN. NICKEL UNDERPLATED OVERALL.
  - MJ SHIELD: 0.508um [20u"] MIN. NICKEL PLATED.
  - USB CONTACT: GOLD FLASH PLATED ON CONTACT AREA, 2.54um [100u"] MIN. BRIGHT-TIN PLATED ON SOLDER TAILS, 1.27um [50u"] MIN. NICKEL UNDERPLATED OVERALL.
  - USB SHIELD: 2.032um [80u"] MIN. NICKEL PLATED.
- WAVE SOLDER CAPABLE TO 265°C PER TE CONNECTIVITY SPEC. 109-202, CONDITION B.

12.69	5-1775855-1
WEIGHT (gram)	PART NUMBER

THIS DRAWING IS A CONTROLLED DOCUMENT.		DWN	12JUN2009	TE Connectivity Ltd.	NAME MODULAR JACK, RJ45, STACKED OVER, USB CONN., DIP TYPE
DIMENSIONS: mm		CHK	12JUN2009		
TOLERANCES UNLESS OTHERWISE SPECIFIED:		APVD	12JUN2009		
0 PLC ± - 1 PLC ± 0.3 2 PLC ± 0.2 3 PLC ± 0.15 4 PLC ± - ANGLES ± 3°		PRODUCT SPEC	108-57802		
MATERIAL	SEE TABEL	APPLICATION SPEC	-	SIZE	A3
		WEIGHT	-	CAGE CODE	00779
		CUSTOMER DRAWING		DRAWING NO	1775855
		SCALE	1:1	RESTRICTED TO	-
		SHEET	3 of 5	REV	E

REVISIONS

P	LTR	DESCRIPTION	DATE	DWN	APVD
-	-	SEE SHEET 1	-	-	-



RECOMMENDED PCB LAYOUT  
 RECOMMENDED PCB THICKNESS: 1.6mm  
 TOLERANCE: ±0.05 (TOP VIEW)

LED ELECTRICAL CHARACTERISTIC			
NO.	NODE	COLOR	
LED1	9(+), 10(-)	GREEN	9-10
LED2	11(+), 12(-)	YELLOW	11-12

NOTE:

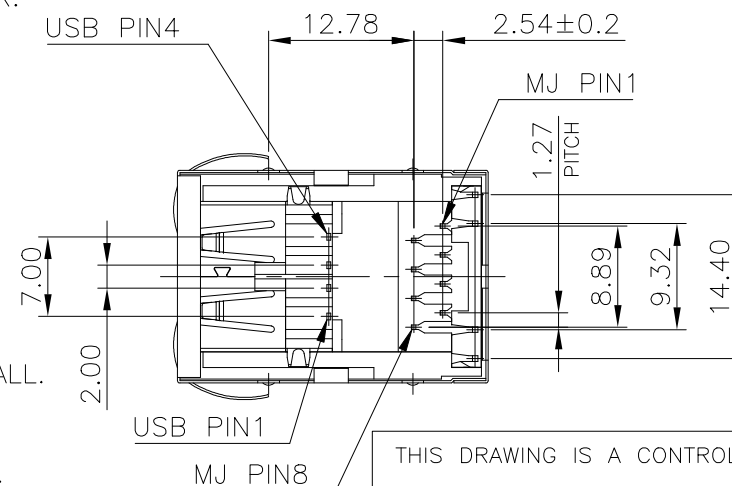
1. MATERIAL:

- 1.1 MJ HOUSING & LED COVER: PBT, WITH 30% GF, UL94V-0, BLACK COLOR.
- 1.2 MJ CONTACTS: PHOSPHOR BRONZE.
- 1.3 MJ SHIELD: BRASS.
- 1.4 LED SOLDER TAIL: EPOXY, STEEL.
- 1.5 USB HOUSING: PBT, UL94V-0, BLACK COLOR.
- 1.6 USB CONTACTS: BRASS.
- 1.7 USB SHIELD: SPCC.

2. FINISH:

- 2.1 MJ CONTACTS:  
 SELECTIVE GOLD PLATED (SEE TABLE) ON CONTACT AREA,  
 GOLD FLASH ON SOLDER TAILS,  
 1.27um [50u"] MIN. NICKEL UNDERPLATED OVERALL.
- 2.2 MJ SHIELD: 0.508um [20u"] MIN. NICKEL PLATED.
- 2.3 LED SOLDER TAIL:  
 1.02um [40u"] COPPER UNDERPLATED OVERALL.  
 1.27um [50u"] NICKEL OVERALL.  
 1.27um [50u"] SILVER ON BONDING AREA.  
 2.54um [100u"] BRIGHT-TIN ON SOLDER AREA.
- 2.4 USB CONTACT: SELECTIVE GOLD PLATED (SEE TABLE) ON CONTACT AREA,  
 2.54um [100u"] MIN. BRIGHT-TIN PLATED ON SOLDER TAILS,  
 1.27um [50u"] MIN. NICKEL UNDERPLATED OVERALL.
- 2.5 USB SHIELD: 2.032um [80u"] MIN. NICKEL PLATED.

- 3. WAVE SOLDER CAPABLE TO 265°C PER TE CONNECTIVITY SPEC.  
 109-202, CONDITION B.



THIS DRAWING IS A CONTROLLED DOCUMENT.

DIMENSIONS:	TOLERANCES UNLESS OTHERWISE SPECIFIED:
mm	
0 PLC	± -
1 PLC	± 0.3
2 PLC	± 0.2
3 PLC	± 0.15
4 PLC	± -
ANGLES	± 3'
MATERIAL	FINISH
SEE TABEL	-

DWN	B. HSING	12JUN2009
CHK	S. CHIEN	12JUN2009
APVD	W. KODAMA	12JUN2009
PRODUCT SPEC	108-57802	
APPLICATION SPEC	-	
WEIGHT	-	

OBSOLETE	12.90	0.762um [30u"]	6-1775855-3
		GOLD FLASH	6-1775855-1
WEIGHT (gram)		MIN. GOLD THICKNESS	PART NUMBER

**TE** TE Connectivity Ltd.

NAME			
MODULAR JACK, RJ45, STACKED OVER, USB CONN., DIP TYPE			
SIZE	CAGE CODE	DRAWING NO	RESTRICTED TO
A3	00779	1775855	-
CUSTOMER DRAWING		SCALE	SHEET
		1:1	4 of 5
			REV
			E

THIS DRAWING IS UNPUBLISHED.

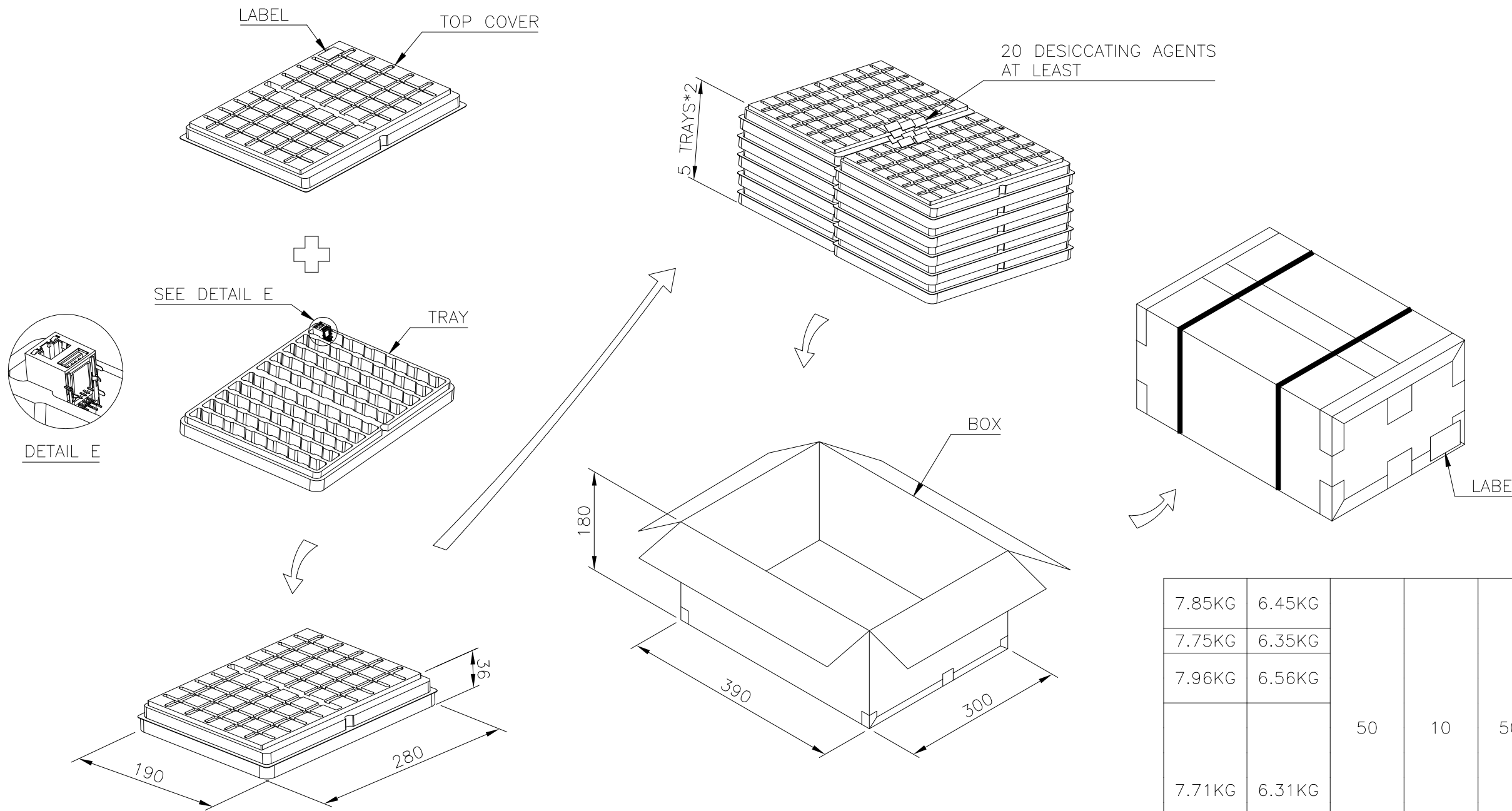
RELEASED FOR PUBLICATION

ALL RIGHTS RESERVED.

© COPYRIGHT - TE Connectivity Ltd.

REVISIONS

P	LTR	DESCRIPTION	DATE	DWN	APVD
-	-	SEE SHEET 1	-	-	-



7.85KG	6.45KG				6-1775855-3
					<del>6-1775855-1</del>
7.75KG	6.35KG				5-1775855-1
					4-1775855-2
7.96KG	6.56KG				4-1775855-1
					<del>3-1775855-1</del>
		50	10	500	<del>2-1775855-2</del>
					<del>2-1775855-1</del>
7.71KG	6.31KG				1-1775855-1
					1775855-3
					1775855-2
					1775855-1
GROSS WEIGHT	NET WEIGHT	PCS/ TRAY	TRAY/ BOX	PCS/ BOX	PART NUMBER

- NOTES:
- MATERIAL:  
TRAY: PVC.  
BOX: CORRUGATED FIBER.
  - DIMENSION: SEE DRAWING
  - QUANTITY: SEE TABLE
  - WEIGHT: SEE TABLE

THIS DRAWING IS A CONTROLLED DOCUMENT.		DWN	B. HSING	12JUN2009	 TE Connectivity Ltd.
		CHK	S. CHIEN	12JUN2009	
		APVD	W. KODAMA	12JUN2009	
		PRODUCT SPEC			
DIMENSIONS: mm		TOLERANCES UNLESS OTHERWISE SPECIFIED:		NAME	
		0 PLC	± -	108-57802	
		1 PLC	± 0.3	APPLICATION SPEC	
		2 PLC	± 0.2	-	
		3 PLC	± 0.15	WEIGHT	
		4 PLC	± -	-	
		ANGLES	± 3'	A3 00779 C=1775855	
MATERIAL		FINISH		RESTRICTED TO	
SEE TABEL		-		-	
CUSTOMER DRAWING				SCALE	1:1
				SHEET	5 of 5
				REV	E

# Mouser Electronics

Authorized Distributor

Click to View Pricing, Inventory, Delivery & Lifecycle Information:

[TE Connectivity:](#)

[4-1775855-1](#)