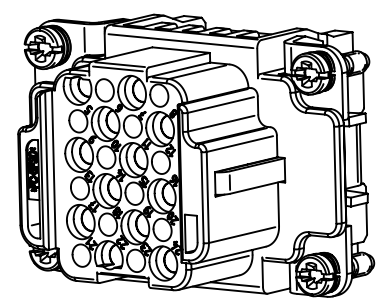
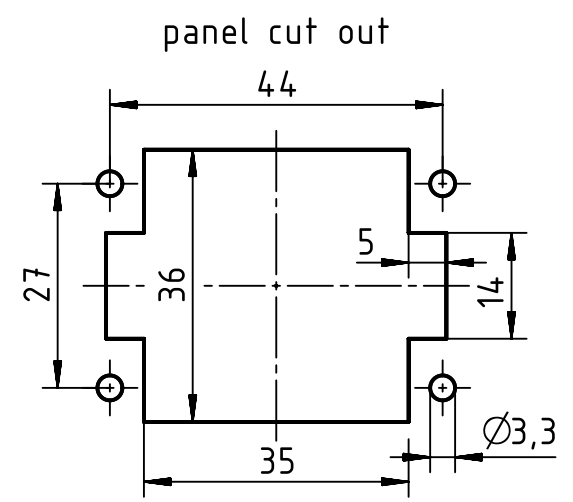
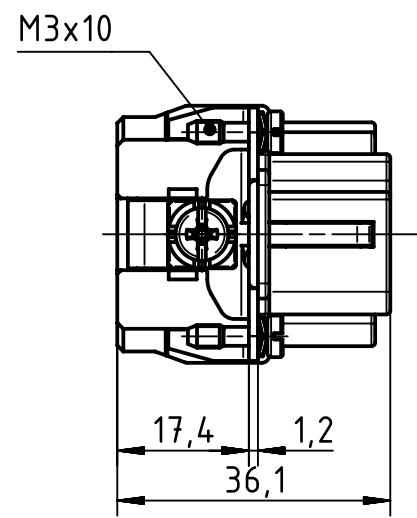
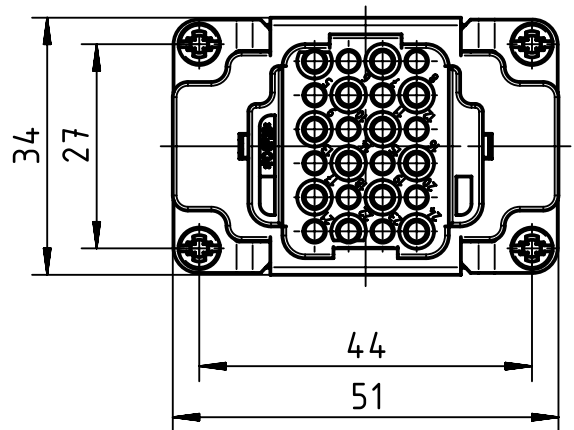

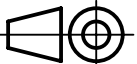


1 2 3 4 5 6

A
B
C
D



	All rights reserved Department EL PD - DE	Created by MATAU		Inspected by PRIESTER		Standardisation TIEMANNA		Date 2016-04-04		State Final Release	
		Title Han 24DD-F-C								Doc-Key / ECM-Nr. 100216913/UGD/005/C 500000097569	
HARTING Electric GmbH & Co. KG D-32339 Espelkamp		Type TB		Number 09 16 024 3101				Rev. C		Page 1/1	
 All Dimensions in mm Original Size DIN A4		Scale 1:1		Free size tol.				Ref.		Sub.	

Mouser Electronics

Authorized Distributor

Click to View Pricing, Inventory, Delivery & Lifecycle Information:

[HARTING:](#)

[09160243101](#)