

1 2 3 4 5 6

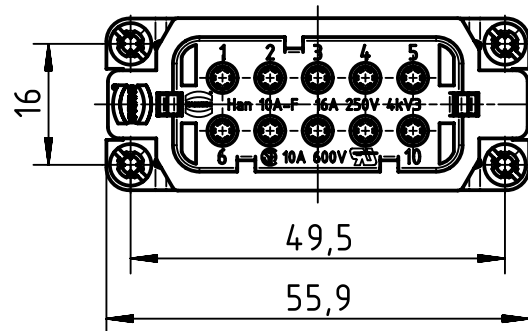
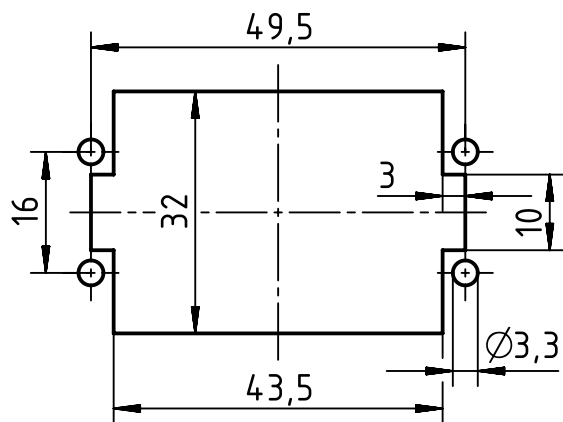
A

B

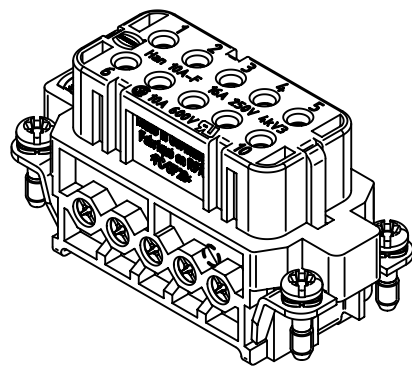
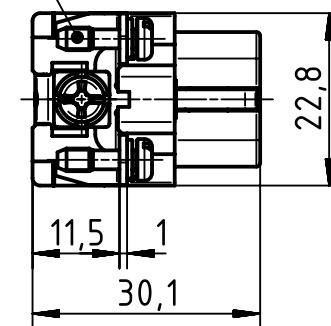
C

D

panel cut out



M3x10



	All rights reserved Department EL PD - DE HARTING Electric GmbH & Co. KG D-32339 Espelkamp	All Dimensions in mm Original Size DIN A4		Scale 1:1	Free size tol.		Ref. Sub.			
		Created by SPRENB	Inspected by BERGHORN	Standardisation TIEMANNA	Date 2015-09-18	State Final Release		Doc-Key / ECM-Nr. 100087383/UGD/005/B 500000091602		
Title Han A 10 Pos. F Insert Screw							Type TB	Number 09 20 010 2812	Rev. B	Page 1/1

# Mouser Electronics

Authorized Distributor

Click to View Pricing, Inventory, Delivery & Lifecycle Information:

[HARTING:](#)

[09200102812](#)