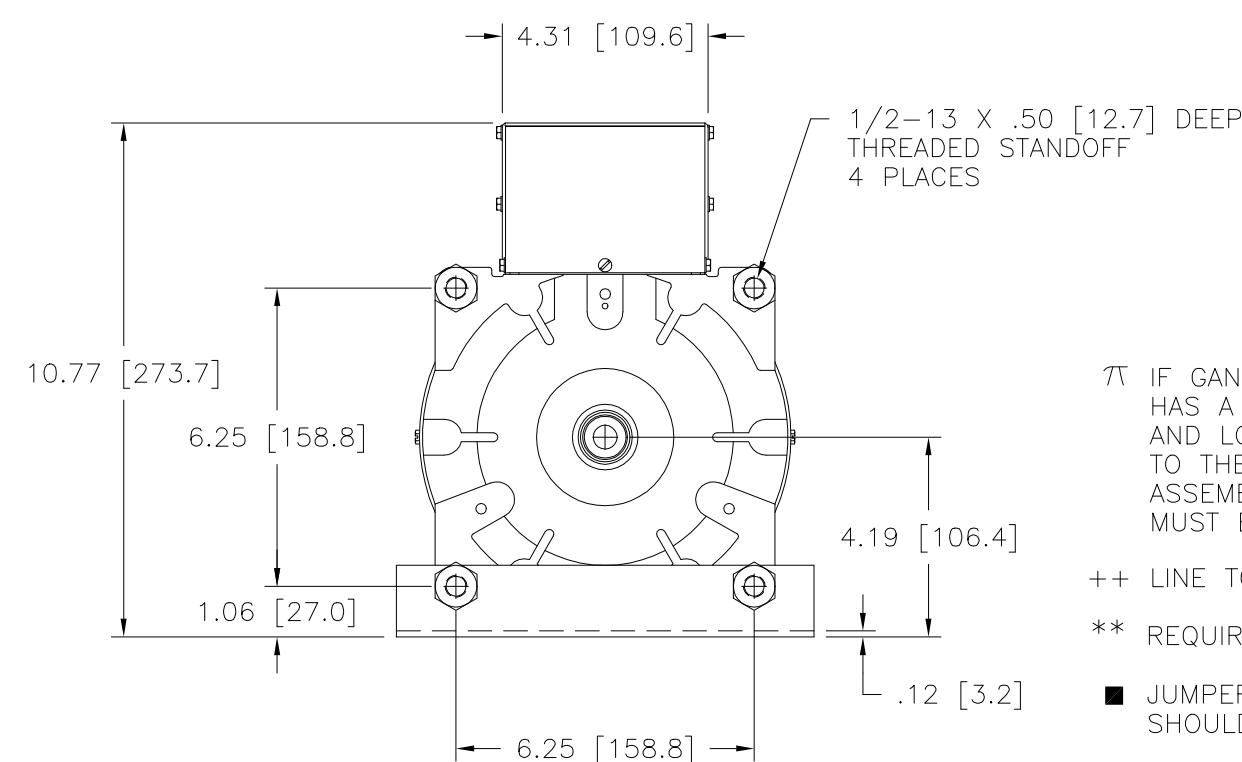


SCHMATIC
 THREE PHASE OPEN DELTA AND SINGLE PHASE SERIES. FUSE RECOMMENDED BUT NOT SUPPLIED
 SCHMATIC
 SINGLE PHASE PARALLEL FUSE RECOMMENDED BUT NOT SUPPLIED



π IF GANGED UNITS ARE USED IN A SYSTEM THAT ORDINARILY HAS A COMMON NEUTRAL OR GROUND BETWEEN SOURCE AND LOAD, THE NEUTRAL OR GROUND MUST BE CONNECTED TO THE COMMON TERMINALS OF THE VARIABLE TRANSFORMER ASSEMBLY. IF THE SYSTEM HAS NO NEUTRAL, THE LOAD MUST BE BALANCED OR THE TRANSFORMER WILL BE DAMAGED.
 ++ LINE TO LINE VOLTAGE.
 ** REQUIRES ONE 51LAC PARALLELING CHOKE (NOT SUPPLIED).
 ■ JUMPER PROVIDED IN STANDARD COMMON POSITION AND SHOULD BE MOVED OR REMOVED AS REQUIRED.

NOTE:
 UNIT IS SUPPLIED WITH A 7.00 [177.8] DIA. 0-100 GRADUATED DIAL PLATE FOR PANEL MOUNTING.

SPECIFICATIONS											
WIRING	INPUT		OUTPUT				SHAFT ROTATION TO INCREASE VOLTAGE	TERMINAL CONNECTIONS			
	VOLTS	HERTZ	VOLTS	CONSTANT CURRENT LOAD MAX. AMPS	CONSTANT IMPEDANCE LOAD MAX. KVA	MAX. AMPS		MAX. KVA	FOR INCREASING VOLTAGE AS VIEWED FROM BASE END ■		
SINGLE PHASE PARALLEL **	120	50/60	0-120	50	6.00	60	7.2	CW	2-2,4-4	—	4-B
			0-140	50	7.00	—	—	CCW	2-2,4-4	—	2-B
			0-120	25	6.00	30	7.2	CW	1-1,4-4	—	4-B
			0-140	25	7.00	—	—	CCW	5-5,2-2	—	2-B
SINGLE PHASE SERIES	240	50/60	0-240	25	6.00	30	7.2	CW	2-2	4-4	3-3
			0-280	25	7.00	—	—	CCW	4-4	2-2	3-3
			0-240	25	6.00	30	7.2	CW	1-1	4-4	3-3
			0-280	25	7.00	—	—	CCW	5-5	2-2	3-3
THREE PHASE OPEN DELTA π	120	50/60	0-120	25	5.20	30	6.2	CW	2-4-2	4-4	3-4-3
			0-140	25	6.06	—	—	CCW	4-2-4	2-2	3-2-3
			0-120	25	5.20	30	6.2	CW	1-4-1	4-4	3-4-3
			0-140	25	6.06	—	—	CCW	5-2-5	2-2	3-2-3

Mouser Electronics

Authorized Distributor

Click to View Pricing, Inventory, Delivery & Lifecycle Information:

[Staco:](#)

[2510CT-2](#)