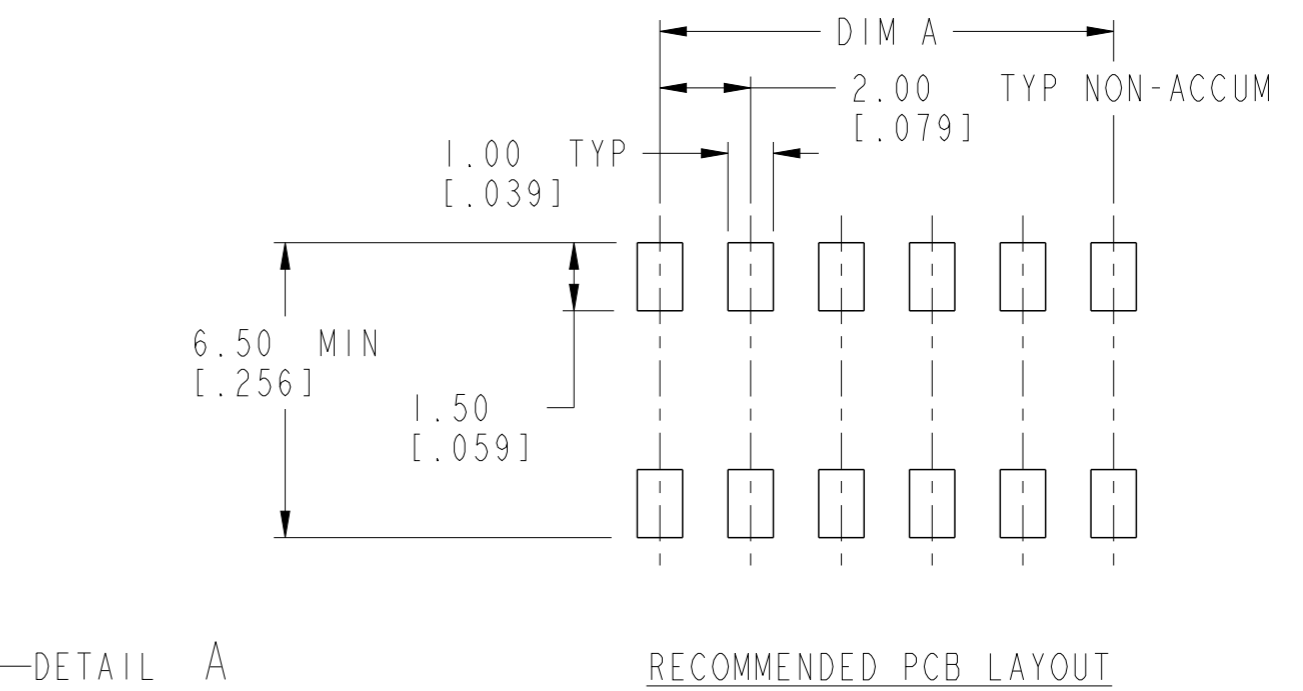
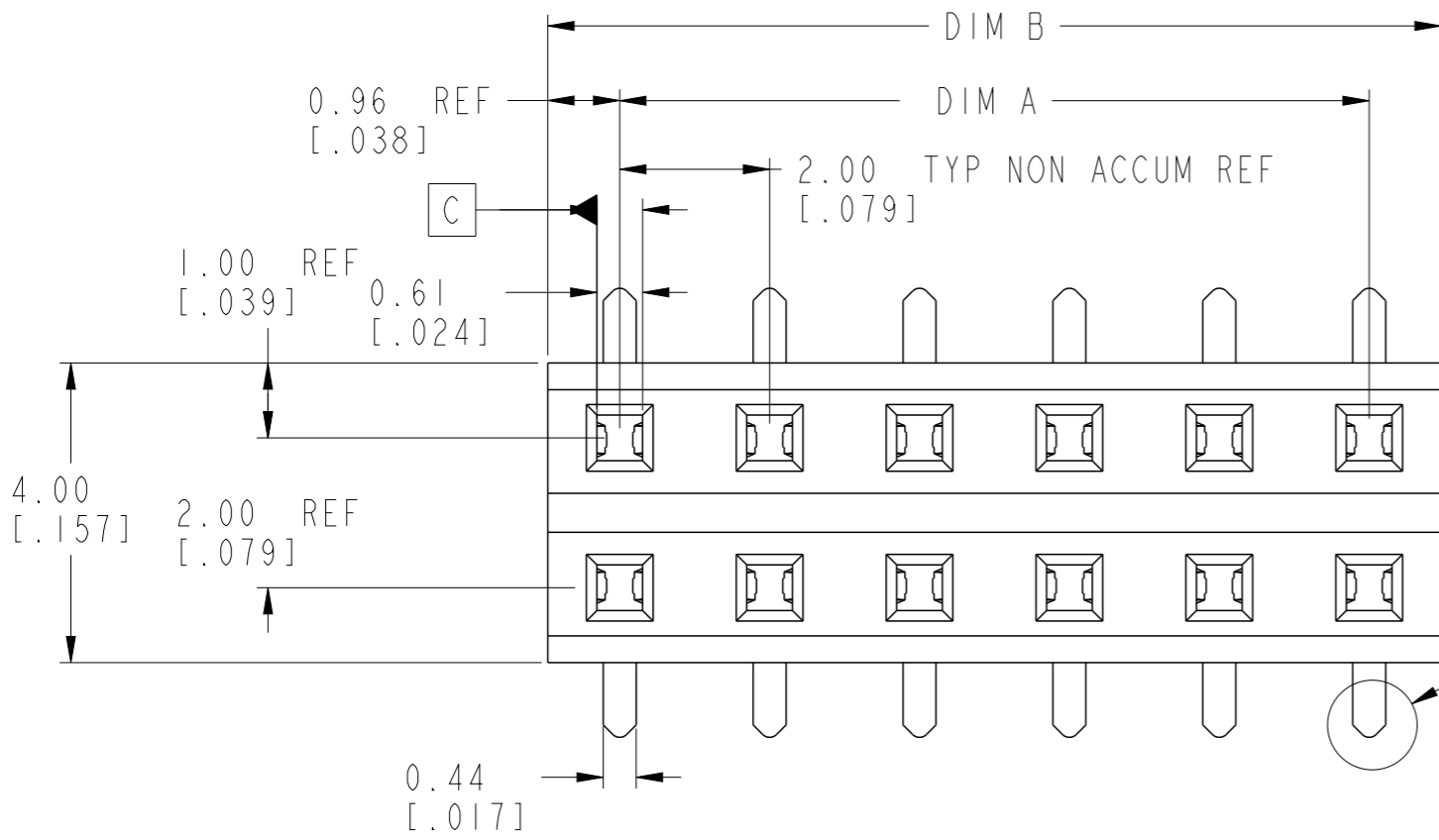




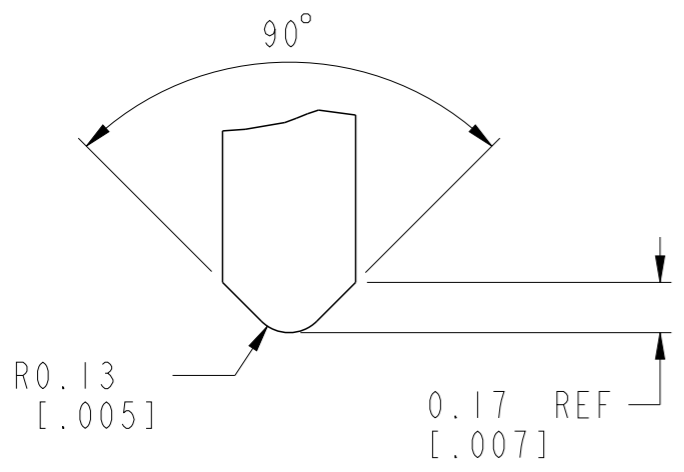
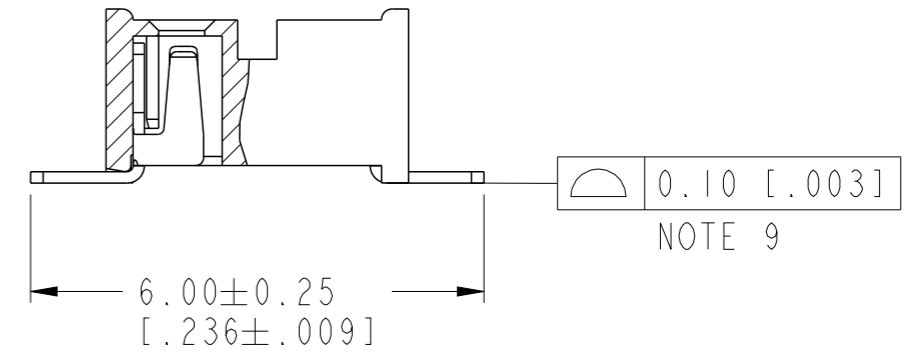
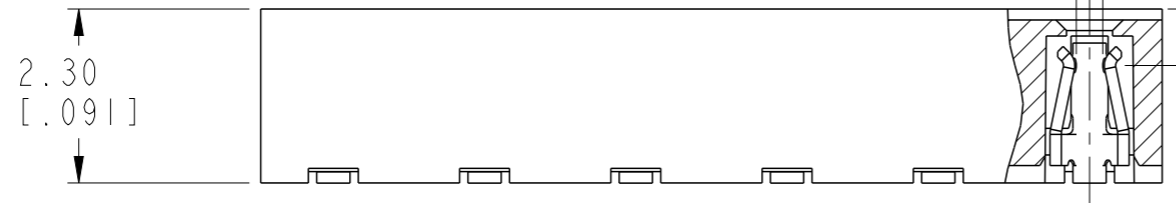
Copyright FCI.



DETAIL NOTE A

⊕ 0.20 [.007] Ⓢ Ⓢ

0.75 REF [.029]



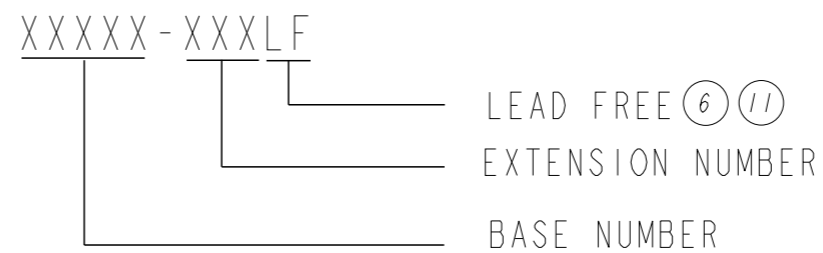
DETAIL A SCALE 40:1

spec ref	-	dr	Andrew Yong	2010/10/20	projection	MM / INCH	size	A3	scale	3:1	
tolerance std	ISO 406 ISO 1101	eng	Guo-Min Sun	2013/12/11			ecn no		ELX-N-16502-1		
TOLERANCES UNLESS OTHERWISE SPECIFIED		chr	-	-			rel level		Released		
surface	✓	appr	Rick Bian	2013/12/12	product family	-	dwg no		55508		
ISO 1302	linear	0.X	±0.3		LOW PROFILE VCC 2.3			rev		J	
		0.XX	±.13		TOP ENTRY SMT ASSY			cat. no.		-	
	angular	0°	±2°		Product - Customer Drw			sheet 1 of 2			

PRODUCT NO (5) (6)	POSITIONS	DIM. A	DIM.B
55508-X04	2 X 2	2.00 / .079	3.92 / .154
-X06	2 X 3	4.00 / .158	5.92 / .233
-X08	2 X 4	6.00 / .236	7.92 / .312
-X10	2 X 5	8.00 / .315	9.92 / .391
-X12	2 X 6	10.00 / .394	11.92 / .469
-X14	2 X 7	12.00 / .472	13.92 / .548
-X16	2 X 8	14.00 / .551	15.92 / .627
-X18	2 X 9	16.00 / .630	17.92 / .706
-X20	2 X 10	18.00 / .709	19.92 / .784
-X22	2 X 11	20.00 / .787	21.92 / .863
-X24	2 X 12	22.00 / .866	23.92 / .942
-X26	2 X 13	24.00 / .945	25.92 / 1.020
-X28	2 X 14	26.00 / 1.024	27.92 / 1.099
-X30	2 X 15	28.00 / 1.102	29.92 / 1.178
-X32	2 X 16	30.00 / 1.181	31.92 / 1.257
-X34	2 X 17	32.00 / 1.260	33.92 / 1.335
-X36	2 X 18	34.00 / 1.339	35.92 / 1.414
-X38	2 X 19	36.00 / 1.417	37.92 / 1.493
-X40	2 X 20	38.00 / 1.496	39.92 / 1.572
-X42	2 X 21	40.00 / 1.575	41.92 / 1.650
-X44	2 X 22	42.00 / 1.654	43.92 / 1.729
-X46	2 X 23	44.00 / 1.732	45.92 / 1.808
-X48	2 X 24	46.00 / 1.811	47.92 / 1.887
-X50	2 X 25	48.00 / 1.890	49.92 / 1.965

NOTES:

- HOUSING MAT'L : HIGH TEMP PLASTIC.
- TERMINAL MAT'L : PHOSPHOR BRONZE.
- TERMINAL RETENTION 0.5Kg/1.1 Lbs
- 'V' CUT OPTIONAL - MANUFACTURING PROCESS OPTION.
- SOLDER TAILS OF P/N:55508-XXX IS TIN/LEAD PLATED.
- SOLDER TAILS OF P/N:55508-XXXLF IS 100% MATTE TIN PLATED.
- PRODUCT DESCRIPTION CODE:



- PACKAGING:
 - (a) XXXXX-XXX ---STD PACKAGING IN TUBE.
 - (b) XXXXX-XXXTR ---TAPE AND REEL PACKAGING WITH PICK-UP CAP (SEE FIG 1).
 - (c) XXXXX-XXXTRN ---TAPE AND REEL PACKAGING WITHOUT PICK-UP CAP.
 - (d) XXXXX-XXXTRS ---TAPE AND REEL PACKAGING WITHOUT PICK-UP CAP. (SOLDERTAILS ON TOP)
- CO-PLANARITY:
 - FROM POSITION - X04 THRU -X38 : 0.10 / .004
 - X40 THRU -X50 : 0.12 / .005
- THE HOUSING WILL WITHSTAND EXPOSURE TO 255°C PEAK TEMPERATURE FOR 10 SECONDS IN A CONVECTION, INFRA-RED OR VAPOR PHASE REFLOW OVEN.
- THIS PRODUCT MEETS EUROPEAN UNION DIRECTIVES AND OTHER COUNTRY REGULATIONS AS DESCRIBED IN GS-22-008.

PLATING OPTIONS OVER CONTACT AREA

0 = 0.05um/2u"Au
1 = 0.76um/30u"Au
3 = 0.38um/15u"Au
5 = 2.54um/100u"MATTE Tin
7 = 0.76um/30u"GXT
8 = 0.38um/15u"GXT



Copyright FCI.

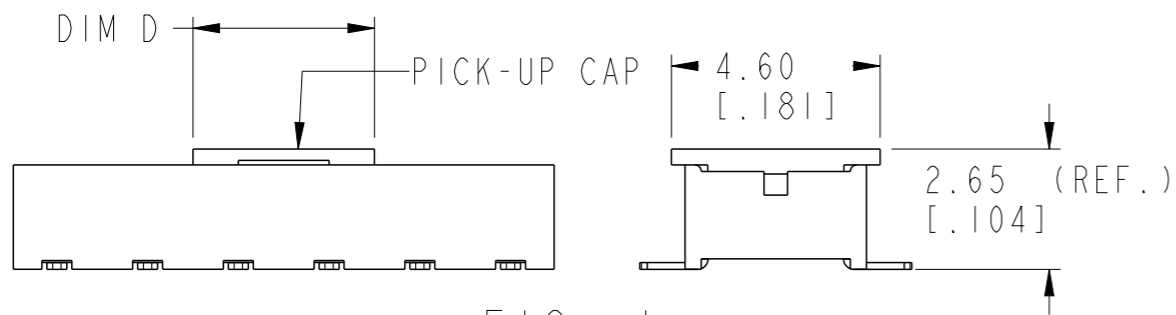


FIG. 1

DIM D=4.0 APPLY TO POS 2X2
 DIM D=6.0 APPLY TO POS 2X3 ~ 2X25

spec ref	-	dr	Andrew Yong	2010/10/20	projection	MM / INCH	size	A3	scale	3:1	
tolerance std	ISO 406 ISO 1101	eng	Guo-Min Sun	2013/12/11			ecn no	ELX-N-16502-1	rel level	Released	
TOLERANCES UNLESS OTHERWISE SPECIFIED		chr	-	apppr							Rick Bian
surface	ISO 1302	linear	0.X ±0.3 0.XX ±.13 0.XXX ±.051			LOW PROFILE VCC 2.3 TOP ENTRY SMT ASSY		dwg no	55508	rev	J
angular	0° ±2°	www.fci.com	cat. no.	-	Product - Customer Drw	sheet 2 of 2					

Mouser Electronics

Authorized Distributor

Click to View Pricing, Inventory, Delivery & Lifecycle Information:

[FCI / Amphenol:](#)

[55508-004LF](#) [55508-006LF](#) [55508-008LF](#) [55508-010LF](#) [55508-014LF](#) [55508-016LF](#) [55508-016TRLF](#) [55508-018LF](#) [55508-020LF](#) [55508-022LF](#) [55508-024LF](#) [55508-026LF](#) [55508-028LF](#) [55508-030LF](#) [55508-032LF](#) [55508-034LF](#) [55508-036LF](#) [55508-038LF](#) [55508-042LF](#) [55508-044LF](#) [55508-046LF](#) [55508-048LF](#) [55508-050LF](#) [55508-104LF](#) [55508-106LF](#) [55508-108LF](#) [55508-110LF](#) [55508-112LF](#) [55508-114LF](#) [55508-116LF](#) [55508-118LF](#) [55508-120LF](#) [55508-122LF](#) [55508-124LF](#) [55508-130LF](#) [55508-132LF](#) [55508-134LF](#) [55508-136LF](#) [55508-138LF](#) [55508-140LF](#) [55508-142LF](#) [55508-144LF](#) [55508-146LF](#) [55508-148LF](#) [55508-150LF](#) [55508-304LF](#) [55508-306LF](#) [55508-308LF](#) [55508-310LF](#) [55508-312LF](#) [55508-314LF](#) [55508-316LF](#) [55508-318LF](#) [55508-320LF](#) [55508-322LF](#) [55508-324LF](#) [55508-326LF](#) [55508-328LF](#) [55508-330LF](#) [55508-332LF](#) [55508-334LF](#) [55508-336LF](#) [55508-338LF](#) [55508-340LF](#) [55508-342LF](#) [55508-344LF](#) [55508-346LF](#) [55508-348LF](#) [55508-350LF](#) [55508-012TRLF](#) [55508-040TR](#) [55508-040TRLF](#) [55508-104TR](#) [55508-104TRLF](#) [55508-112TR](#) [55508-114TR](#) [55508-114TRLF](#) [55508-116TR](#) [55508-116TRLF](#) [55508-130TR](#) [55508-130TRLF](#) [55508-316TR](#) [55508-316TRLF](#) [55508-004TRLF](#) [55508-006TRLF](#) [55508-014TRLF](#) [55508-018TRLF](#) [55508-108TRLF](#) [55508-110TRLF](#) [55508-118TRLF](#) [55508-120TRLF](#) [55508-126](#) [55508-126LF](#) [55508-128LF](#) [55508-134TRLF](#) [55508-318TRLF](#) [55508-008TRLF](#) [55508-010TRLF](#) [55508-020TRLF](#) [55508-022TRLF](#)