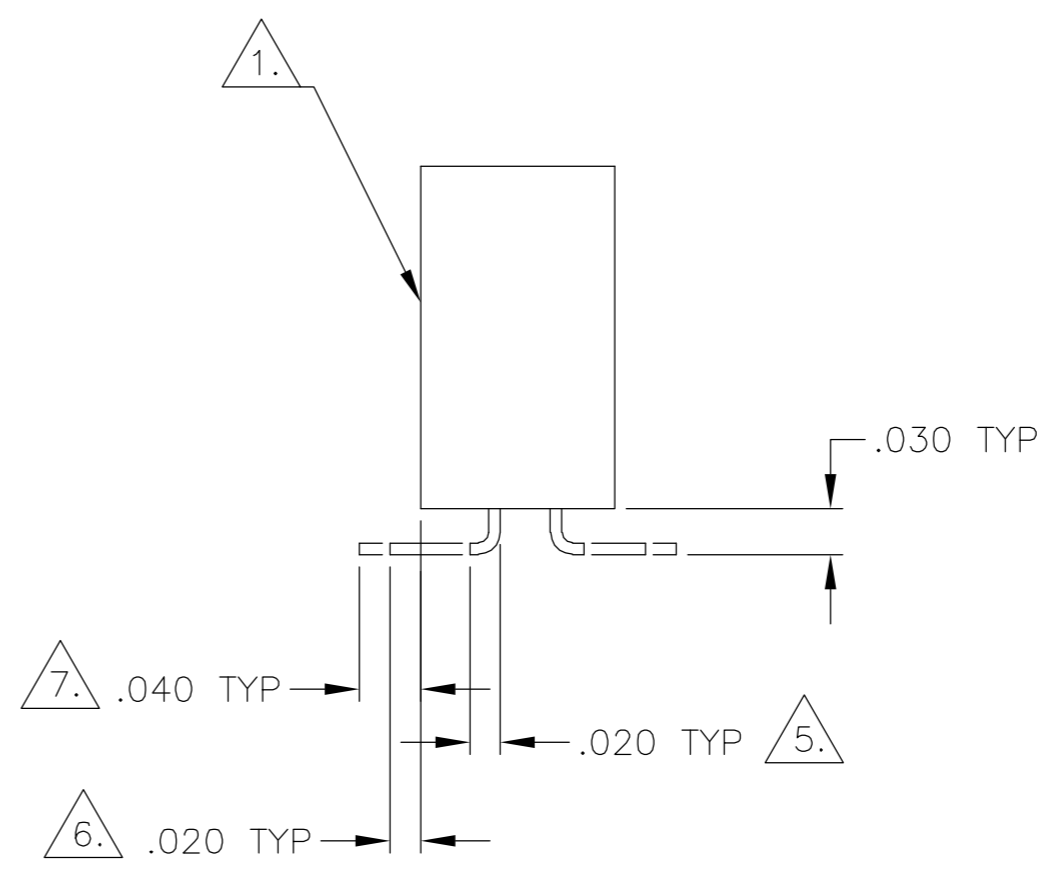
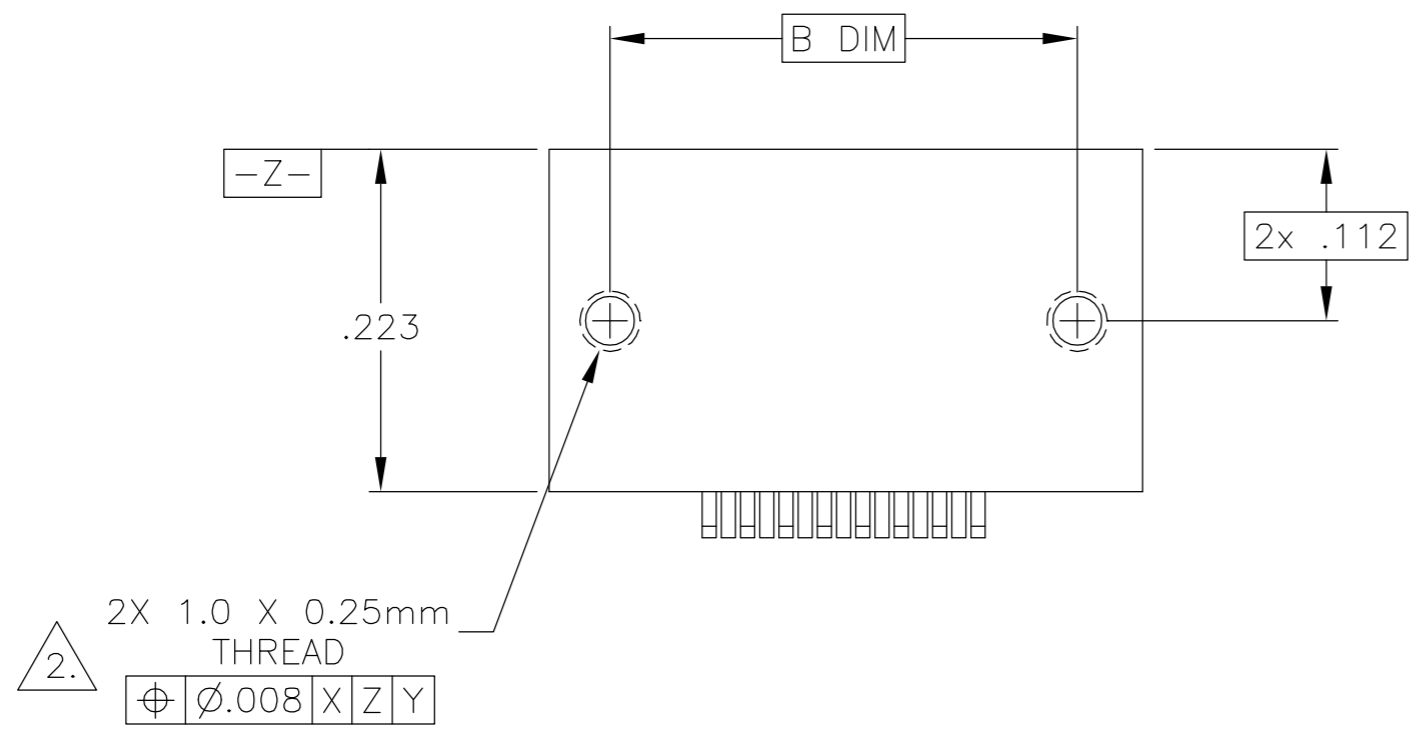
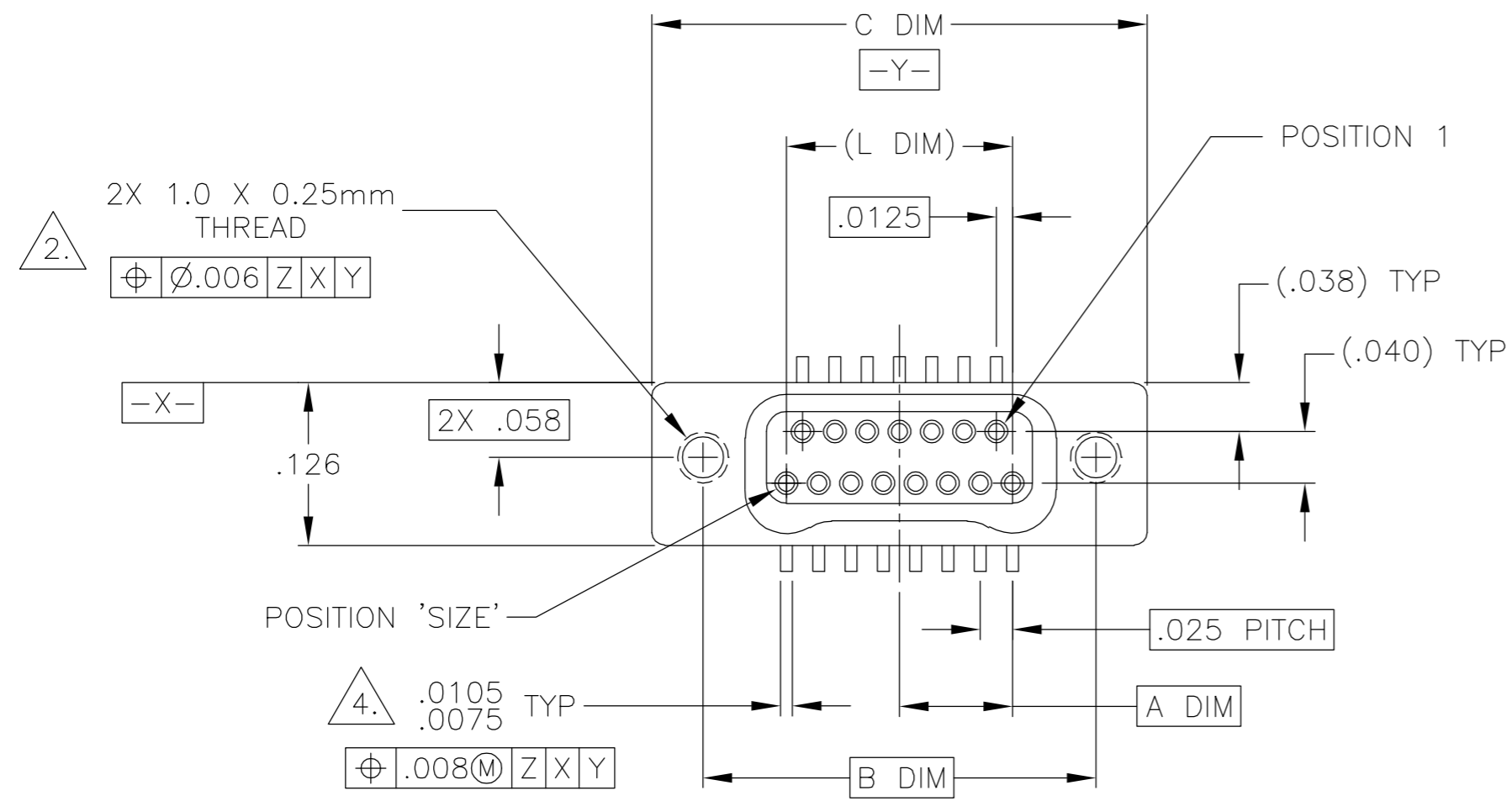


THIS DRAWING IS UNPUBLISHED. RELEASED FOR PUBLICATION  
 © COPYRIGHT BY TYCO ELECTRONICS CORPORATION. ALL RIGHTS RESERVED.

| LOC | DIST | REVISIONS |     |                         |           |     |      |
|-----|------|-----------|-----|-------------------------|-----------|-----|------|
| DF  | DO   | P         | LTR | DESCRIPTION             | DATE      | DWN | APVD |
|     |      | P         |     | UPDATE PER 0H2Y-0164-04 | 12 MAY 04 | CAS | MKS  |

| SIZE | A DIM | B DIM | C DIM<br>±.0050 | (L DIM) |
|------|-------|-------|-----------------|---------|
| 09   | .050  | .229  | .3085           | (.100)  |
| 15   | .0875 | .304  | .3835           | (.175)  |
| 25   | .150  | .429  | .5085           | (.300)  |
| 37   | .225  | .579  | .6585           | (.450)  |
| 51   | .3125 | .754  | .8335           | (.625)  |
| 65   | .400  | .929  | 1.0085          | (.800)  |

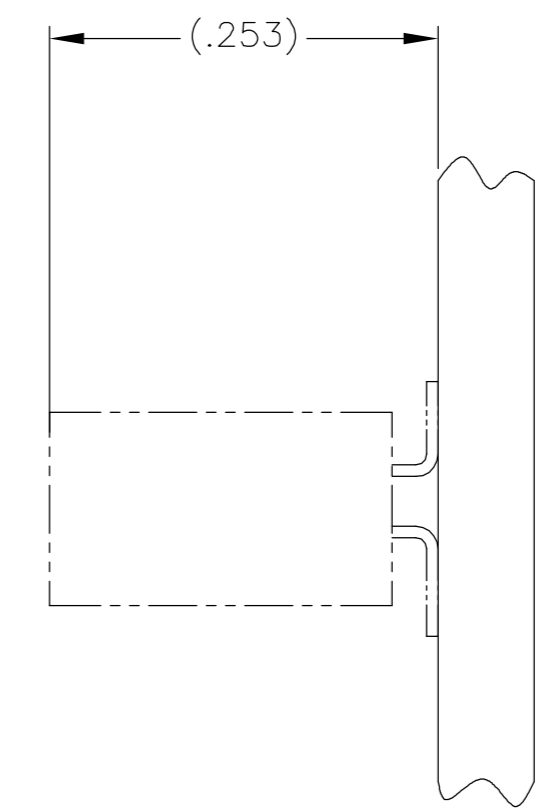
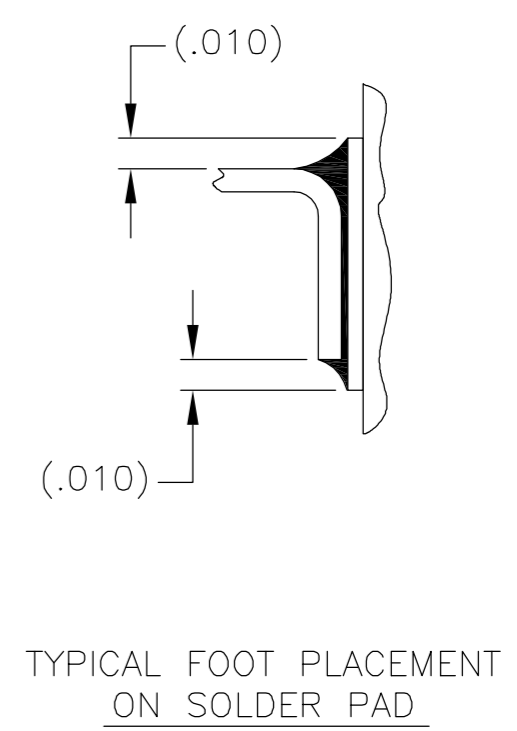
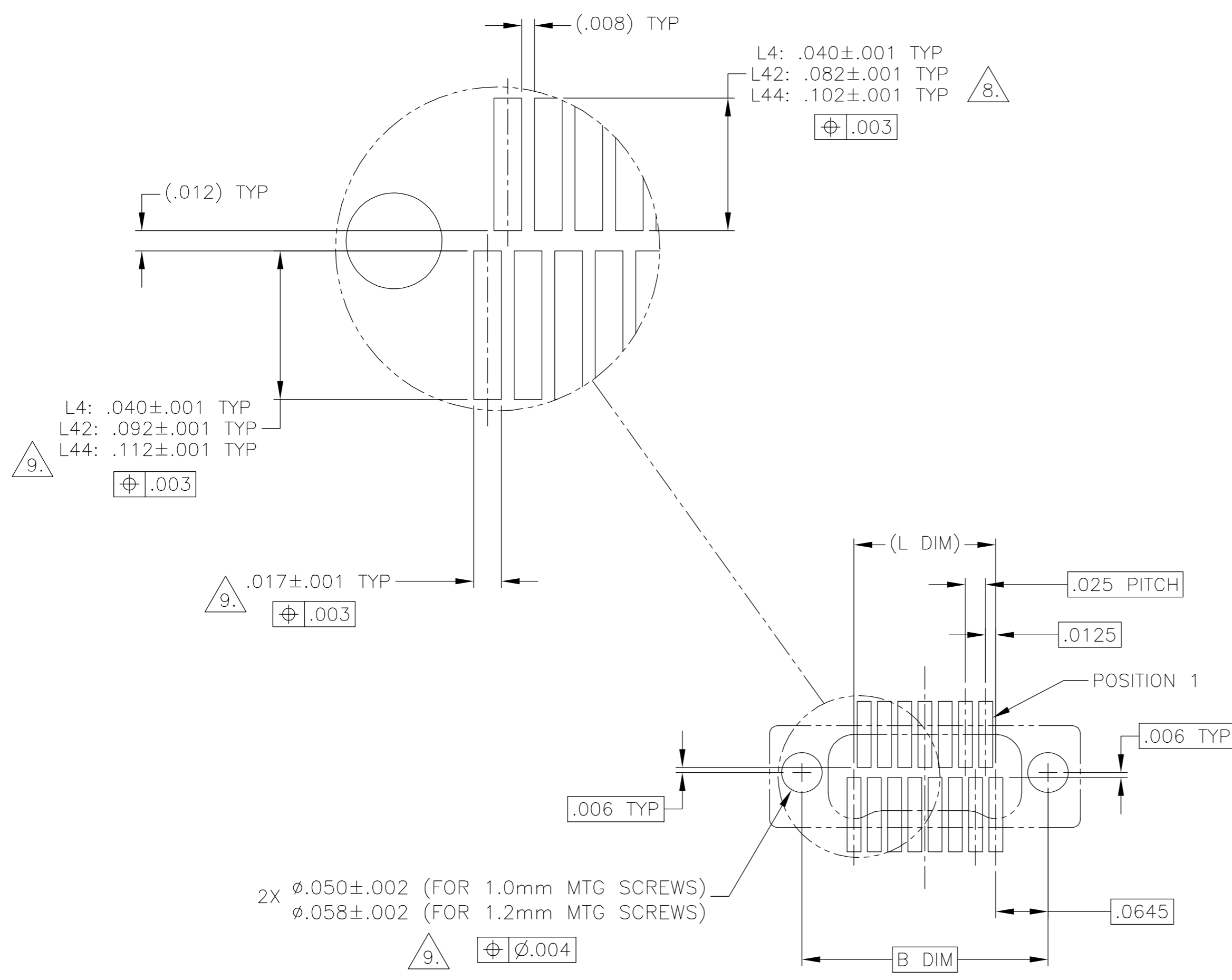


- 1. SHELL OPTIONS (TO BE SPECIFIED IN NANONICS PART NUMBER):  
 METAL: 6061-T6 ALUMINUM, ELECTROLESS NICKEL PLATED PER MIL-C-26074 (STANDARD) OR GOLD PLATED PER MIL-G-45204  
 303 STAINLESS STEEL, PASSIVATED PER SAE-AMS-QQ-P-35  
 INSULATOR MATERIAL FOR ALL METAL SHELLS IS LIQUID CRYSTAL POLYMER (LCP) PER MIL-M-24519 OR PER ASTM D5138  
 PLASTIC: LIQUID CRYSTAL POLYMER (LCP) PER MIL-M-24519 OR PER ASTM D5138
- 2. STANDARD 1.0 X 0.25mm MOUNTING AND JACKSCREW THREADS ARE SHOWN FOR REFERENCE ONLY AND MUST BE SPECIFIED IN THE NANONICS PART NUMBER WHEN REQUIRED. 1.2 X 0.25mm THREADS ALSO AVAILABLE.
- 3. MOUNTING HARDWARE IS AVAILABLE WITH THIS CONFIGURATION (NOT SHOWN). HARDWARE MUST BE SPECIFIED IN THE NANONICS PART NUMBER. CONSULT TYCO ELECTRONICS FOR DETAILS.
- 4. SMT LEADS ARE BeCu, TIN LEAD PLATED 60/40 COMPOSITION PER SAE-AMS-P-81728.
- 5. NANONICS TERMINATION CODE: L4 6. NANONICS TERMINATION CODE: L42 7. NANONICS TERMINATION CODE: L44
- 8. THIS DRAWING PREVIOUSLY IDENTIFIED AS NANONICS N10138/232

|   |  |                               |   |
|---|--|-------------------------------|---|
| THIS DRAWING IS A CONTROLLED DOCUMENT.  |  | DWN<br>D. RYAN<br>21 APR 92   | <br>Tyco Electronics Corporation<br>Harrisburg, PA 17105                                |
| DIMENSIONS:<br>INCHES   |  | CHK<br>E. PAULUS<br>23 AUG 99 |   |
| TOLERANCES UNLESS OTHERWISE SPECIFIED:  |  | APVD<br>M. STORRY<br>3 APR 01 | NAME<br>RECEPTACLE ASSEMBLY, VERTICAL SURFACE MOUNT, TWO ROW DUALLOBE, PLASTIC OR METAL |
| 0 PLC ± -<br>1 PLC ± -<br>2 PLC ± .010<br>3 PLC ± .005<br>4 PLC ± -<br>ANGLES ± 1 |  | PRODUCT SPEC<br>-             | SIZE<br>A2  |
| MATERIAL<br>SEE NOTES   |  | APPLICATION SPEC<br>-         | CAGE CODE<br>00779  |
| FINISH<br>SEE NOTES   |  | WEIGHT<br>-                   | DRAWING NO<br>C=1589484   |
|   |  | CUSTOMER DRAWING              | RESTRICTED TO<br>-  |
|   |  | SCALE<br>8:1                  | SHEET<br>1 OF 2   |
|   |  |                               | REV<br>P  |

THIS DRAWING IS UNPUBLISHED. RELEASED FOR PUBLICATION  
 © COPYRIGHT BY TYCO ELECTRONICS CORPORATION. ALL RIGHTS RESERVED.

| LOC | DIST | REVISIONS |     |                         |           |     |      |
|-----|------|-----------|-----|-------------------------|-----------|-----|------|
| DF  | DO   | P         | LTR | DESCRIPTION             | DATE      | DWN | APVD |
|     |      | P         |     | UPDATE PER 0H2Y-0164-04 | 12 MAY 04 | CAS | MKS  |



SIZE 15 SHOWN FOR REFERENCE  
 TYPICAL PCB LAYOUT

9. POSITIONAL TOLERANCES FOR BASIC DIMENSIONED FEATURES ARE RELATIVE TO FIDUCIALS OR SOME SIMILAR DATUM REFERENCE DEFINED BY THE PCB DESIGNER.

|  |   |                               |  |   |
|--|---|-------------------------------|--|---|
| THIS DRAWING IS A CONTROLLED DOCUMENT. |   | DWN<br>D. RYAN<br>21 APR 92   | Tyco Electronics Corporation<br>Harrisburg, PA 17105 |   |
| DIMENSIONS:<br>INCHES                  | TOLERANCES UNLESS OTHERWISE SPECIFIED:                                      | CHK<br>E. PAULUS<br>23 AUG 99 | APVD<br>M. STORRY<br>3 APR 01                        | NAME<br>RECEPTACLE ASSEMBLY, VERTICAL SURFACE MOUNT, TWO ROW DUALLOBE, PLASTIC OR METAL |
|  | 0 PLC ± -<br>1 PLC ± -<br>2 PLC ± -<br>3 PLC ± -<br>4 PLC ± -<br>ANGLES ± - | PRODUCT SPEC                  | APPLICATION SPEC                                     | RESTRICTED TO   |
| MATERIAL                               | FINISH  | WEIGHT                        | SCALE 8:1  | SIZE A2 CAGE CODE 00779 DRAWING NO. C=1589484   |
|  |   | CUSTOMER DRAWING              | SHEET 2 OF 2   | REV P   |

1589484

# Mouser Electronics

Authorized Distributor

Click to View Pricing, Inventory, Delivery & Lifecycle Information:

[TE Connectivity:](#)

[STL015L44N](#)