

HIGH-SPEED DIFFERENTIAL LINE DRIVERS AND RECEIVERS

 Check for Samples: [SN65LVDS180-Q1](#), [SN65LVDS050-Q1](#), [SN65LVDS051-Q1](#)

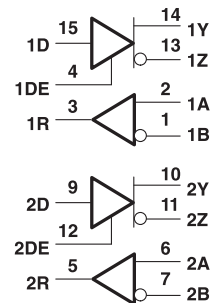
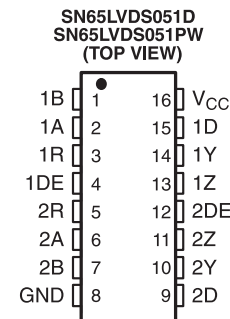
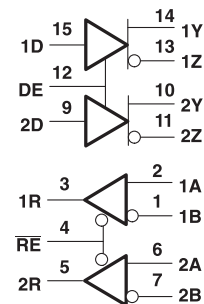
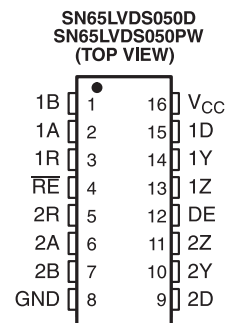
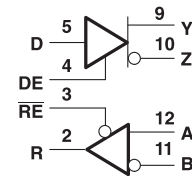
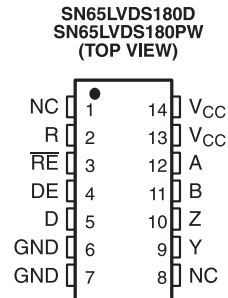
FEATURES

- Qualified for Automotive Applications
- ESD Protection Exceeds 2000 V Per MIL-STD-883, Method 3015; Exceeds 200 V Using Machine Model (C = 200 pF, R = 0)
- Meets or Exceeds the Requirements of ANSI TIA/EIA-644-1995 Standard
- Signaling Rates up to 400 Mbps
- Bus-Terminal ESD Exceeds 12 kV
- Operates From a Single 3.3-V Supply
- Low-Voltage Differential Signaling With Typical Output Voltages of 350 mV and a 100-Ω Load
- Propagation Delay Times
 - Driver: 1.7 ns Typ
 - Receiver: 3.7 ns Typ
- Power Dissipation at 200 MHz
 - Driver: 25 mW Typical
 - Receiver: 60 mW Typical
- LVTTTL Input Levels Are 5-V Tolerant
- Receiver Maintains High Input Impedance With $V_{CC} < 1.5$ V
- Receiver Has Open-Circuit Fail Safe

DESCRIPTION

The SN65LVDS180, SN65LVDS050, and SN65LVDS051 are differential line drivers and receivers that use low-voltage differential signaling (LVDS) to achieve signaling rates as high as 400 Mbps. The TIA/EIA-644 standard compliant electrical interface provides a minimum differential output voltage magnitude of 247 mV into a 100-Ω load and receipt of 50-mV signals with up to 1 V of ground potential difference between a transmitter and receiver.

The intended application of this device and signaling technique is for point-to-point baseband data transmission over controlled impedance media of approximately 100-Ω characteristic impedance. The transmission media may be printed-circuit board traces, backplanes, or cables. (Note: The ultimate rate and distance of data transfer is dependent upon the attenuation characteristics of the media, the noise coupling to the environment, and other application specific characteristics).



Please be aware that an important notice concerning availability, standard warranty, and use in critical applications of Texas Instruments semiconductor products and disclaimers thereto appears at the end of this data sheet.



These devices have limited built-in ESD protection. The leads should be shorted together or the device placed in conductive foam during storage or handling to prevent electrostatic damage to the MOS gates.

DESCRIPTION (CONTINUED)

The devices offer various driver, receiver, and enabling combinations in industry standard footprints. Since these devices are intended for use in simplex or distributed simplex bus structures, the driver enable function does not put the differential outputs into a high-impedance state but rather disconnects the input and reduces the quiescent power used by the device. (For these functions with a high-impedance driver output, see the SN65LVDM series of devices.) All devices are characterized for operation from -40°C to 85°C.

ORDERING INFORMATION⁽¹⁾

| T _A | PACKAGE ⁽²⁾ | | ORDERABLE PART NUMBER | TOP-SIDE MARKING |
|----------------|------------------------|---------------|--------------------------------|------------------|
| -40°C to 85°C | SOIC (D) | Tape and reel | SN65LVDS180DRQ1 | VDS180Q |
| | TSSOP (PW) | Tape and reel | SN65LVDS180PWRQ1 | VDS180Q |
| | SOIC (D) | Tape and reel | SN65LVDS050DRQ1 ⁽³⁾ | VDS050Q |
| | TSSOP (PW) | Tape and reel | SN65LVDS050IPWRQ1 | VDS050Q |
| | SOIC (D) | Tape and reel | SN65LVDS051DRQ1 | VDS051Q |
| | TSSOP (PW) | Tape and reel | SN65LVDS051PWRQ1 | VDS051Q |

- (1) For the most current package and ordering information, see the Package Option Addendum at the end of this document, or see the TI web site at www.ti.com.
 (2) Package drawings, thermal data, and symbolization are available at www.ti.com/packaging.
 (3) Product Preview

FUNCTION TABLES

SN65LVDS180, SN65LVDS050, and SN65LVDS051 RECEIVER⁽¹⁾

| INPUTS | | OUTPUT |
|-----------------------------|-----------------|--------|
| $V_{ID} = V_A - V_B$ | \overline{RE} | R |
| $V_{ID} \geq 50$ mV | L | H |
| -50 mV < $V_{ID} < 50$ mV | L | ? |
| $V_{ID} \leq -50$ mV | L | L |
| Open | L | H |
| X | H | Z |

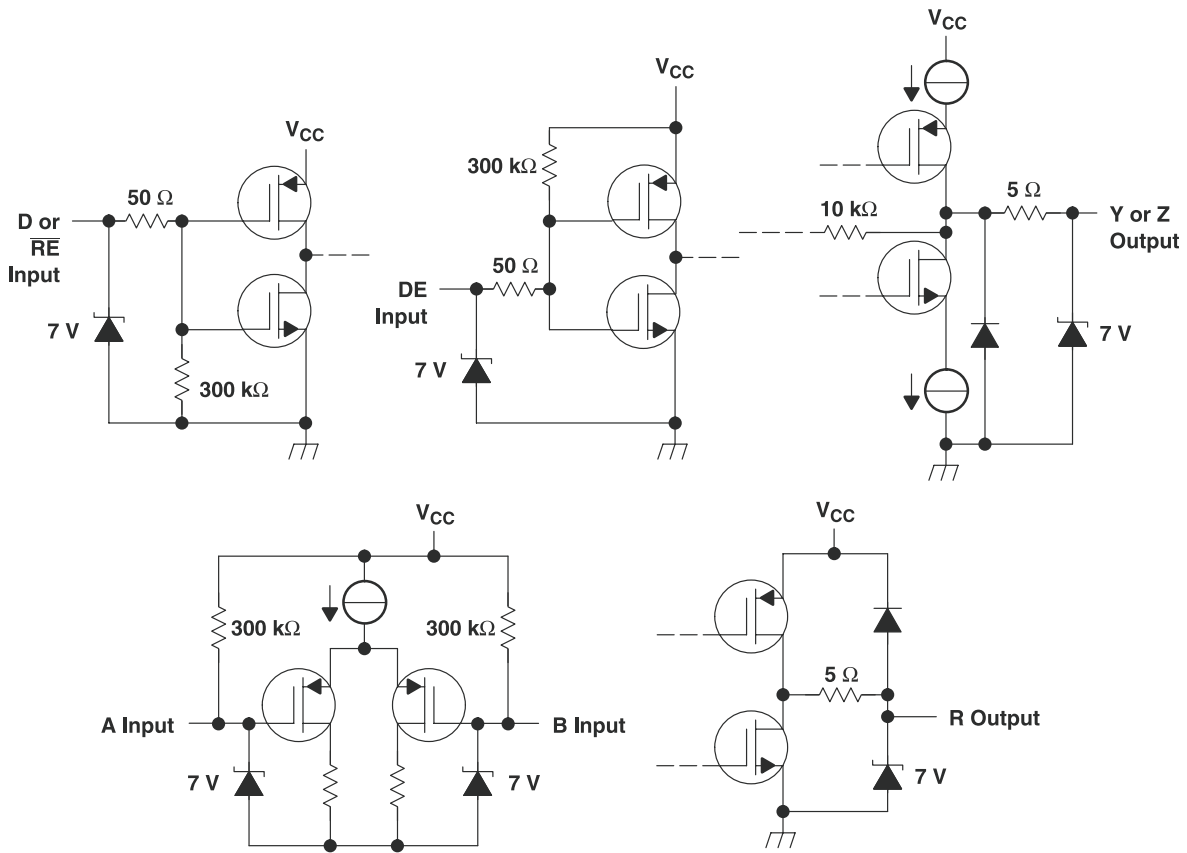
- (1) H = high level, L = low level, Z = high impedance, X = don't care, ? = indeterminate

SN65LVDS180, SN65LVDS050, and SN65LVDS051 DRIVER⁽¹⁾

| INPUTS | | OUTPUTS | |
|--------|----|---------|-----|
| D | DE | Y | Z |
| L | H | L | H |
| H | H | H | L |
| Open | H | L | H |
| X | L | OFF | OFF |

- (1) H = high level, L = low level, Z = high impedance, X = don't care, OFF = no output

EQUIVALENT INPUT AND OUTPUT SCHEMATIC DIAGRAMS



ABSOLUTE MAXIMUM RATINGS⁽¹⁾

over operating free-air temperature range (unless otherwise noted)

| | | UNIT |
|--|---|------------------------------|
| V _{CC} | Supply voltage range ⁽²⁾ | –0.5 V to 4 V |
| Voltage range | D, R, DE, \overline{RE} | –0.5 V to 6 V |
| | Y, Z, A, and B | –0.5 V to 4 V |
| V _{OD} | Differential output voltage | 1 V |
| Electrostatic discharge | Y, Z, A, B, and GND (see ⁽³⁾) | Class 3, A:12 kV, B:600 V |
| | All | Class 3, A:7 kV, B:500 V |
| Continuous power dissipation | | See Dissipation Rating Table |
| Storage temperature range | | –65°C to 150°C |
| Lead temperature 1,6 mm (1/16 inch) from case for 10 seconds | | 250°C |

- (1) Stresses beyond those listed under absolute maximum ratings may cause permanent damage to the device. These are stress ratings only, and functional operation of the device at these or any other conditions beyond those indicated under recommended operating conditions is not implied. Exposure to absolute-maximum-rated conditions for extended periods may affect device reliability.
 (2) All voltage values, except differential I/O bus voltages are with respect to network ground terminal.
 (3) Tested in accordance with MIL-STD-883C Method 3015.7.

DISSIPATION RATING TABLE

| PACKAGE | T _A ≤ 25°C POWER RATING | DERATING FACTOR ABOVE T _A = 25°C ⁽¹⁾ | T _A = 85°C POWER RATING |
|---------|---------------------------------------|---|---------------------------------------|
| PW(14) | 736 mW | 5.9 mW/°C | 383 mW |
| PW(16) | 839 mW | 6.7 mW/°C | 437 mW |
| D(8) | 635 mW | 5.1 mW/°C | 330 mW/°C |
| D(14) | 987 mW | 7.9 mW/°C | 513 mW/°C |
| D(16) | 1110 mW | 8.9 mW/°C | 577 mW/°C |

- (1) This is the inverse of the junction-to-ambient thermal resistance when board-mounted and with no airflow.

RECOMMENDED OPERATING CONDITIONS

| | | MIN | NOM | MAX | UNIT |
|------------------------------------|---|----------------------|-----|----------------------------|------|
| V _{CC} | Supply voltage | 3 | 3.3 | 3.6 | V |
| V _{IH} | High-level input voltage | 2 | | | V |
| V _{IL} | Low-level input voltage | | | 0.8 | V |
| V _{ID} | Magnitude of differential input voltage | 0.1 | | 0.6 | V |
| V _{OD} (dis) | Magnitude of differential output voltage with disabled driver | | | 520 | mV |
| V _{OY} or V _{OZ} | Driver output voltage | 0 | | 2.4 | V |
| V _{IC} | Common-mode input voltage (see Figure 5) | $\frac{ V_{ID} }{2}$ | | $2.4 - \frac{ V_{ID} }{2}$ | V |
| | | | | V _{CC} - 0.8 | |
| T _A | Operating free-air temperature | –40 | | 85 | °C |

DEVICE ELECTRICAL CHARACTERISTICS

over recommended operating conditions (unless otherwise noted)

| PARAMETER | | TEST CONDITIONS | MIN | TYP ⁽¹⁾ | MAX | UNIT | |
|-----------------|----------------|---|--|--------------------|-----|------|----|
| I _{CC} | Supply current | SN65LVDS180 | Driver and receiver enabled, no receiver load, driver R _L = 100 Ω | | 9 | 12 | mA |
| | | | Driver enabled, receiver disabled, R _L = 100 Ω | | 5 | 7 | |
| | | | Driver disabled, receiver enabled, no load | | 1.5 | 2 | |
| | | | Disabled | | 0.5 | 1 | |
| | SN65LVDS050 | Drivers and receivers enabled, no receiver loads, driver R _L = 100 Ω | | 12 | 20 | mA | |
| | | Drivers enabled, receivers disabled, R _L = 100 Ω | | 10 | 16 | | |
| | | Drivers disabled, receivers enabled, no loads | | 3 | 6 | | |
| | | Disabled | | 0.5 | 1 | | |
| | SN65LVDS051 | Drivers enabled, No receiver loads, driver R _L = 100 Ω | | 12 | 20 | mA | |
| | | Drivers disabled, no loads | | 3 | 6 | | |

(1) All typical values are at 25°C and with a 3.3-V supply.

DRIVER ELECTRICAL CHARACTERISTICS

over recommended operating conditions (unless otherwise noted)

| PARAMETER | | TEST CONDITIONS | MIN | TYP | MAX | UNIT |
|----------------------|--|--|-------------------------|------|-------|------|
| V _{OD} | Differential output voltage magnitude | R _L = 100 Ω, See Figure 3 and Figure 2 | 247 | 340 | 454 | mV |
| Δ V _{OD} | Change in differential output voltage magnitude between logic states | | -50 | | 50 | |
| V _{OC(SS)} | Steady-state common-mode output voltage | See Figure 3 | 1.125 | 1.2 | 1.375 | V |
| ΔV _{OC(SS)} | Change in steady-state common-mode output voltage between logic states | | -50 | | 50 | mV |
| V _{OC(PP)} | Peak-to-peak common-mode output voltage | | 50 | | 150 | mV |
| I _{IH} | High-level input current | DE | V _{IH} = 5 V | -0.5 | -20 | μA |
| | | D | | 2 | 20 | |
| I _{IL} | Low-level input current | DE | V _{IL} = 0.8 V | -0.5 | -10 | μA |
| | | D | | 2 | 10 | |
| I _{OS} | Short-circuit output current | V _{OY} or V _{OZ} = 0 V | | 3 | 10 | mA |
| | | V _{OD} = 0 V | | 3 | 10 | |
| I _{O(OFF)} | Off-state output current | DE = 0V V _{OY} = V _{OZ} = 0V | | -1 | 1 | μA |
| | | DE = V _{CC} V _{OY} = V _{OZ} = 0V, V _{CC} < 1.5 V | | | | |
| C _{IN} | Input capacitance | | | 3 | | pF |

RECEIVER ELECTRICAL CHARACTERISTICS

over recommended operating conditions (unless otherwise noted)

| PARAMETER | | TEST CONDITIONS | MIN | TYP ⁽¹⁾ | MAX | UNIT |
|---------------------|---|---------------------------|------|--------------------|-----|------|
| V _{IT+} | Positive-going differential input voltage threshold | See Figure 5 and | | | 50 | mV |
| V _{IT-} | Negative-going differential input voltage threshold | | | -50 | | |
| V _{OH} | High-level output voltage | I _{OH} = -8 mA | 2.4 | | | V |
| | | I _{OH} = -4 mA | 2.8 | | | |
| V _{OL} | Low-level output voltage | I _{OL} = 8 mA | | | 0.4 | V |
| I _I | Input current (A or B inputs) | V _I = 0 | -2 | -11 | -20 | μA |
| | | V _I = 2.4 V | -1.2 | -3 | | |
| I _{I(OFF)} | Power-off input current (A or B inputs) | V _{CC} = 0 | | | ±20 | μA |
| I _{IH} | High-level input current (enables) | V _{IH} = 5 V | | | ±10 | μA |
| I _{IL} | Low-level input current (enables) | V _{IL} = 0.8 V | | | ±10 | μA |
| I _{OZ} | High-impedance output current | V _O = 0 or 5 V | | | ±10 | μA |
| C _I | Input capacitance | | | 5 | | pF |

(1) All typical values are at 25°C and with a 3.3-V supply.

DRIVER SWITCHING CHARACTERISTICS

over recommended operating conditions (unless otherwise noted)

| PARAMETER | | TEST CONDITIONS | MIN | TYP ⁽¹⁾ | MAX | UNIT |
|--------------------|--|--|-----|--------------------|-----|------|
| t _{PLH} | Propagation delay time, low-to-high-level output | R _L = 100 Ω, C _L = 10 pF, See Figure 2 | | 1.7 | 2.7 | ns |
| t _{PHL} | Propagation delay time, high-to-low-level output | | | 1.7 | 2.7 | ns |
| t _r | Differential output signal rise time | | | 0.8 | 1 | ns |
| t _f | Differential output signal fall time | | | 0.8 | 1 | ns |
| t _{sk(p)} | Pulse skew (t _{pHL} - t _{pLH}) ⁽²⁾ | | | 300 | | ps |
| t _{sk(o)} | Channel-to-channel output skew ⁽³⁾ | | | 150 | | ps |
| t _{en} | Enable time | See Figure 4 | | 4.3 | 10 | ns |
| t _{dis} | Disable time | | | 3.1 | 10 | ns |

(1) All typical values are at 25°C and with a 3.3-V supply.

(2) t_{sk(p)} is the magnitude of the time difference between the high-to-low and low-to-high propagation delay times at an output.

(3) t_{sk(o)} is the magnitude of the time difference between the outputs of a single device with all of their inputs connected together.

RECEIVER SWITCHING CHARACTERISTICS

over recommended operating conditions (unless otherwise noted)

| PARAMETER | | TEST CONDITIONS | MIN | TYP ⁽¹⁾ | MAX | UNIT |
|--------------------|--|---|-----|--------------------|-----|------|
| t _{PLH} | Propagation delay time, low-to-high-level output | C _L = 10 pF, See Figure 6 | | 3.7 | 4.5 | ns |
| t _{PHL} | Propagation delay time, high-to-low-level output | | | 3.7 | 4.5 | ns |
| t _{sk(p)} | Pulse skew (t _{pHL} - t _{pLH}) ⁽²⁾ | | | 0.3 | | ns |
| t _r | Output signal rise time | See Figure 7 | | 0.7 | 1.5 | ns |
| t _f | Output signal fall time | | | 0.9 | 1.5 | ns |
| t _{PZH} | Propagation delay time, high-impedance-to-high-level output | | | 2.5 | | ns |
| t _{PZL} | Propagation delay time, high-impedance-to-low-level output | | | 2.5 | | ns |
| t _{PHZ} | Propagation delay time, high-level-to-high-impedance output | | | 7 | | ns |
| t _{PLZ} | Propagation delay time, low-level-to-high-impedance output | | | 4 | | ns |

(1) All typical values are at 25°C and with a 3.3-V supply.

(2) t_{sk(p)} is the magnitude of the time difference between the high-to-low and low-to-high propagation delay times at an output.

PARAMETER MEASUREMENT INFORMATION

DRIVER

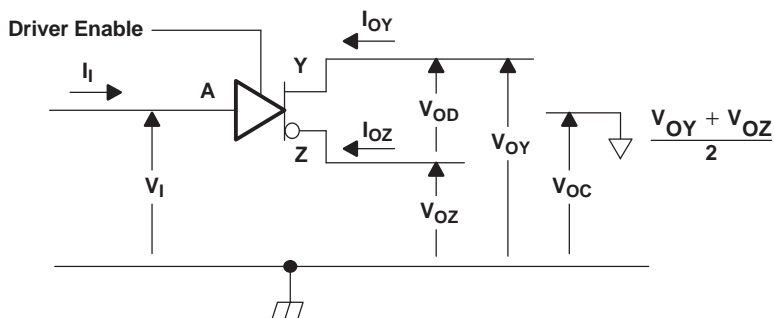
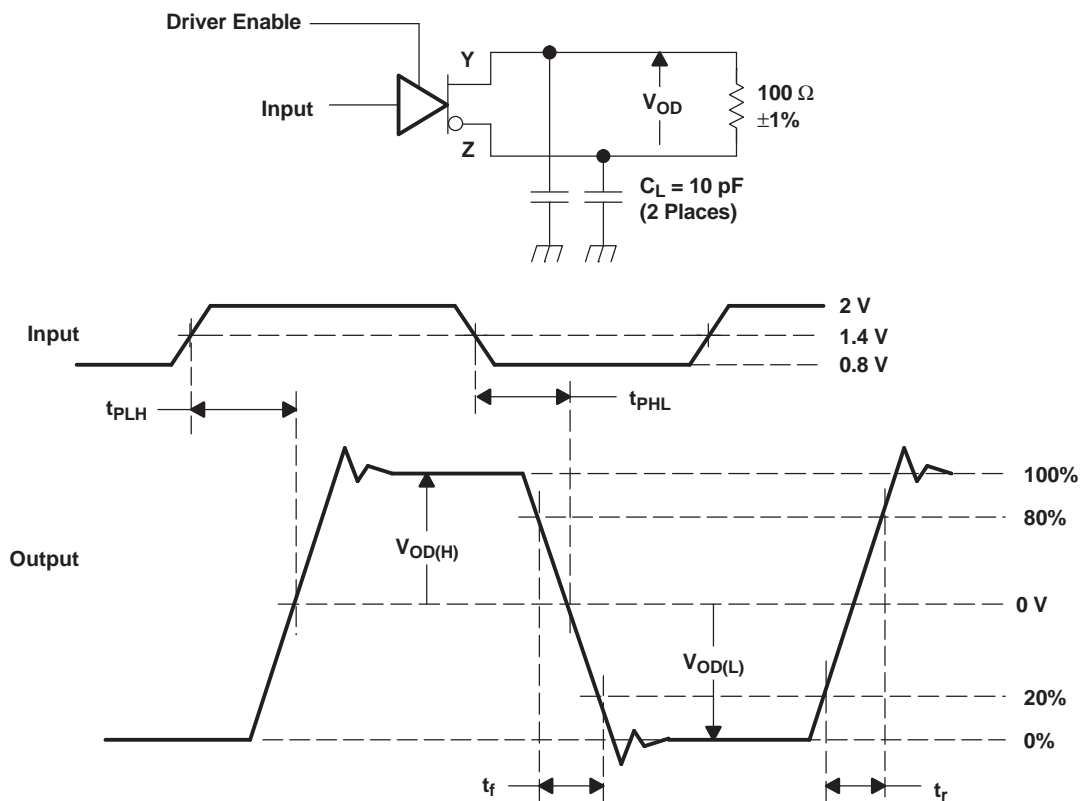


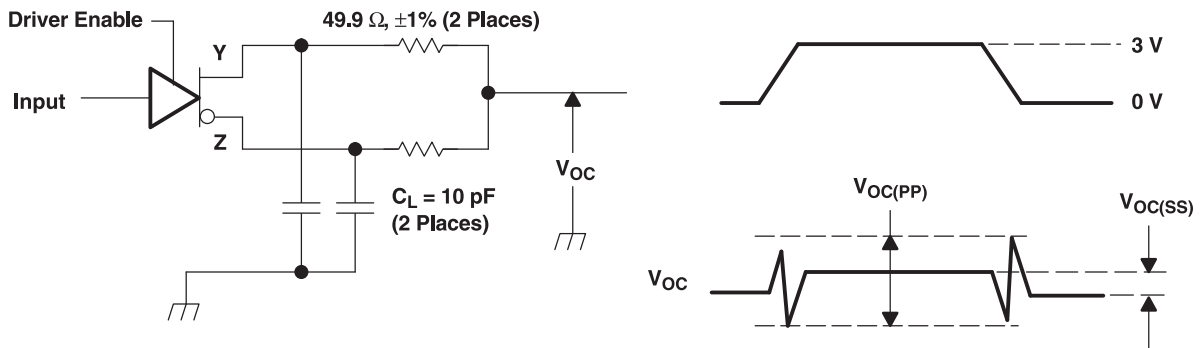
Figure 1. Driver Voltage and Current Definitions



- A. All input pulses are supplied by a generator having the following characteristics: t_f or $t_r \leq 1$ ns, pulse repetition rate (PRR) = 50 Mpps, pulse width = 10 ± 0.2 ns. C_L includes instrumentation and fixture capacitance within 0,06 mm of the D.U.T.

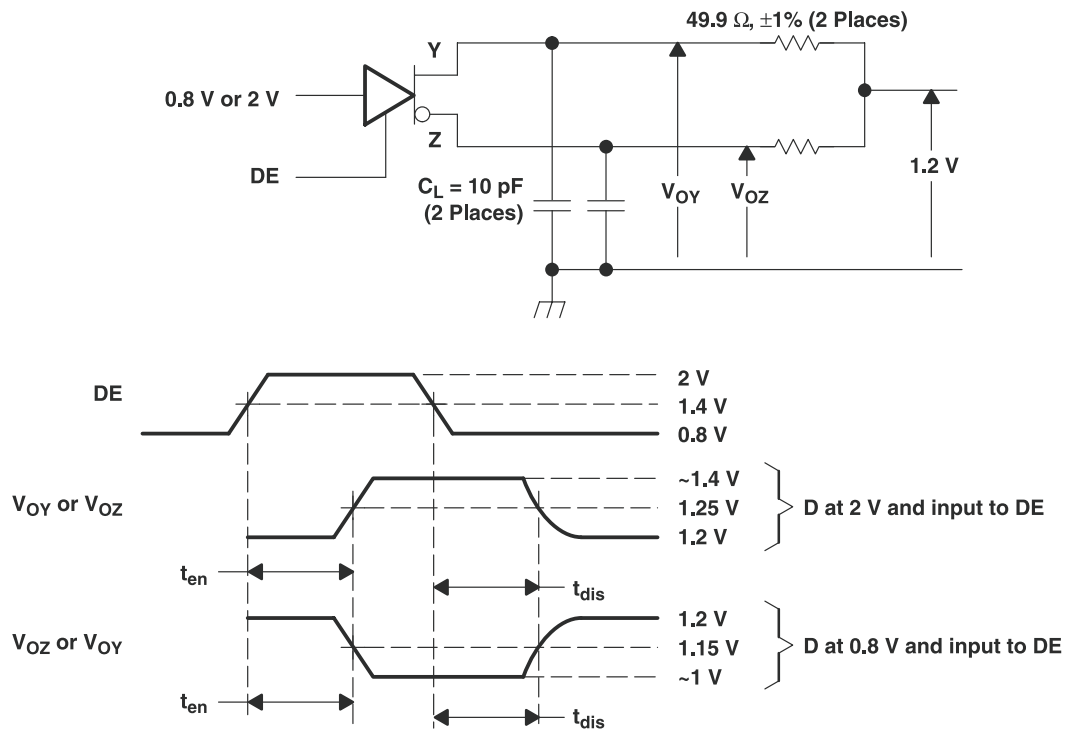
Figure 2. Test Circuit, Timing, and Voltage Definitions for the Differential Output Signal

PARAMETER MEASUREMENT INFORMATION (continued)



- A. All input pulses are supplied by a generator having the following characteristics: t_r or $t_f \leq 1$ ns, pulse repetition rate (PRR) = 50 Mpps, pulse width = 10 ± 0.2 ns. C_L includes instrumentation and fixture capacitance within 0,06 mm of the D.U.T. The measurement of $V_{OC(PP)}$ is made on test equipment with a -3 -dB bandwidth of at least 300 MHz.

Figure 3. Test Circuit and Definitions for the Driver Common-Mode Output Voltage



- A. All input pulses are supplied by a generator having the following characteristics: t_r or $t_f \leq 1$ ns, pulse repetition rate (PRR) = 0.5 Mpps, pulse width = 500 ± 10 ns. C_L includes instrumentation and fixture capacitance within 0,06 mm of the D.U.T.

Figure 4. Enable and Disable Time Circuit and Definitions

PARAMETER MEASUREMENT INFORMATION (continued)

RECEIVER

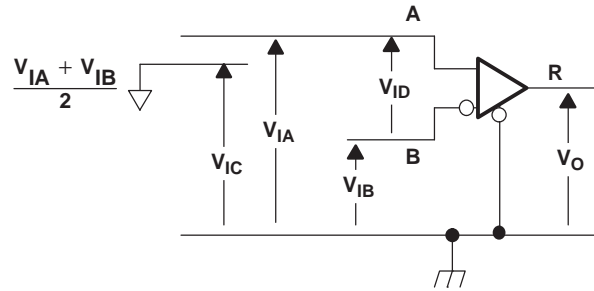
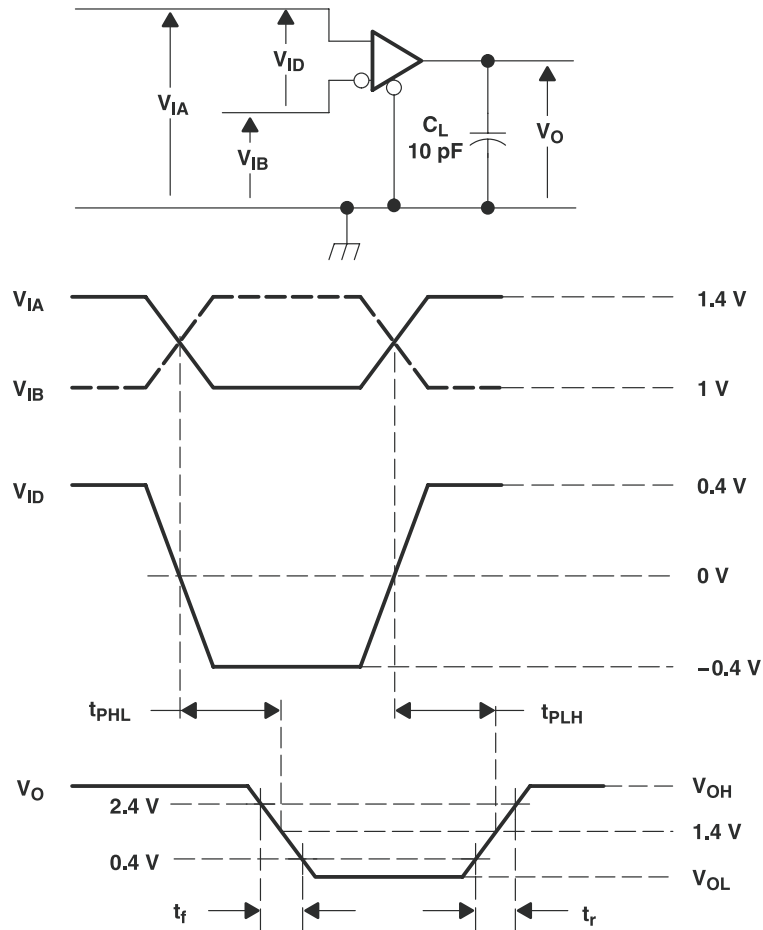


Figure 5. Receiver Voltage Definitions

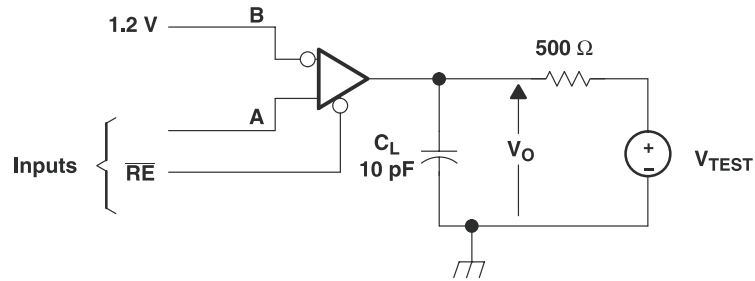
Receiver Minimum and Maximum Input Threshold Test Voltages

| APPLIED VOLTAGES (V) | | RESULTING DIFFERENTIAL INPUT VOLTAGE (mV) | RESULTING COMMON-MODE INPUT VOLTAGE (V) |
|----------------------|----------|---|---|
| V_{IA} | V_{IB} | V_{ID} | V_{IC} |
| 1.25 | 1.15 | 100 | 1.2 |
| 1.15 | 1.25 | -100 | 1.2 |
| 2.4 | 2.3 | 100 | 2.35 |
| 2.3 | 2.4 | -100 | 2.35 |
| 0.1 | 0 | 100 | 0.05 |
| 0 | 0.1 | -100 | 0.05 |
| 1.5 | 0.9 | 600 | 1.2 |
| 0.9 | 1.5 | -600 | 1.2 |
| 2.4 | 1.8 | 600 | 2.1 |
| 1.8 | 2.4 | -600 | 2.1 |
| 0.6 | 0 | 600 | 0.3 |
| 0 | 0.6 | -600 | 0.3 |



- A. All input pulses are supplied by a generator having the following characteristics: t_r or $t_f \leq 1$ ns, pulse repetition rate (PRR) = 50 Mpps, pulse width = 10 ± 0.2 ns. C_L includes instrumentation and fixture capacitance within 0,06 m of the D.U.T.

Figure 6. Timing Test Circuit and Waveforms



NOTE A: All input pulses are supplied by a generator having the following characteristics: t_r or $t_f \leq 1$ ns, pulse repetition rate (PRR) = 0.5 Mpps, pulse width = 500 ± 10 ns. C_L includes instrumentation and fixture capacitance within 0,06 m of the D.U.T.

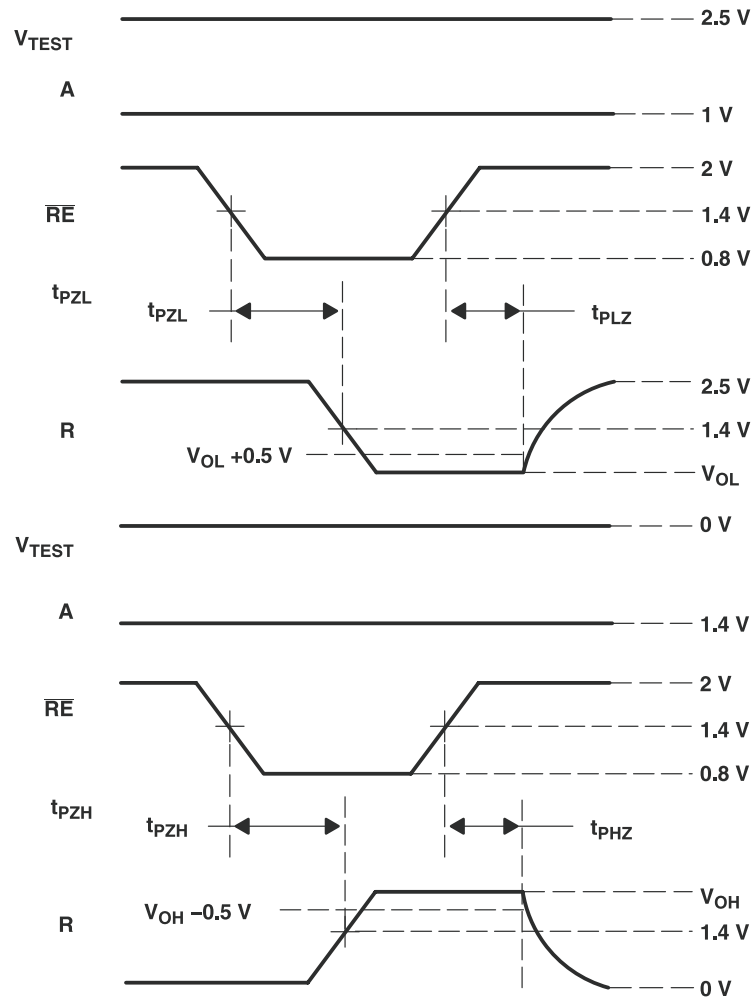
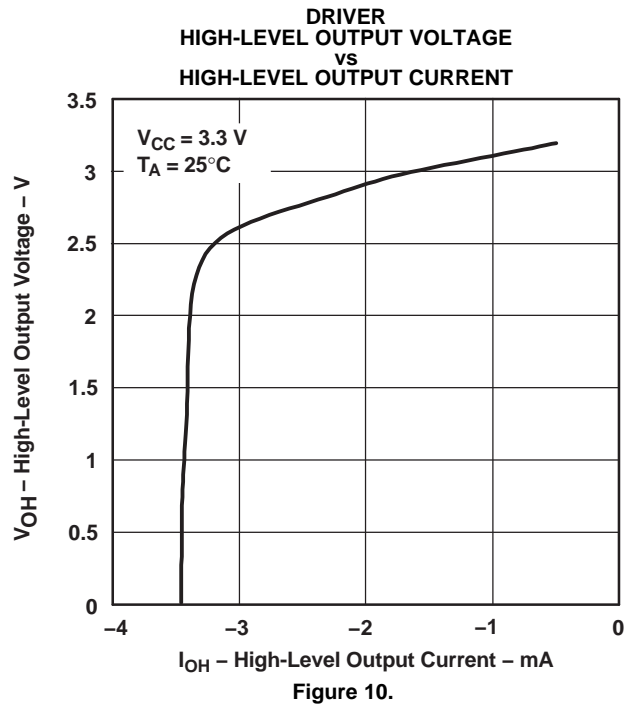
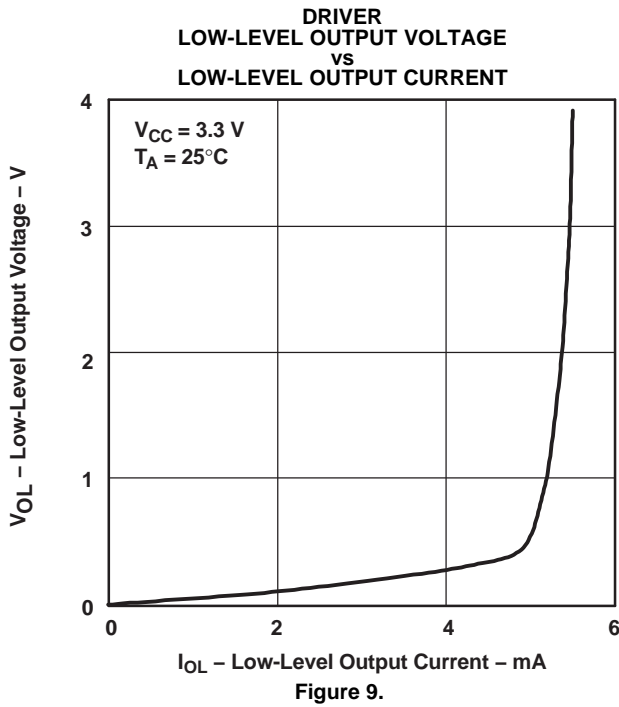
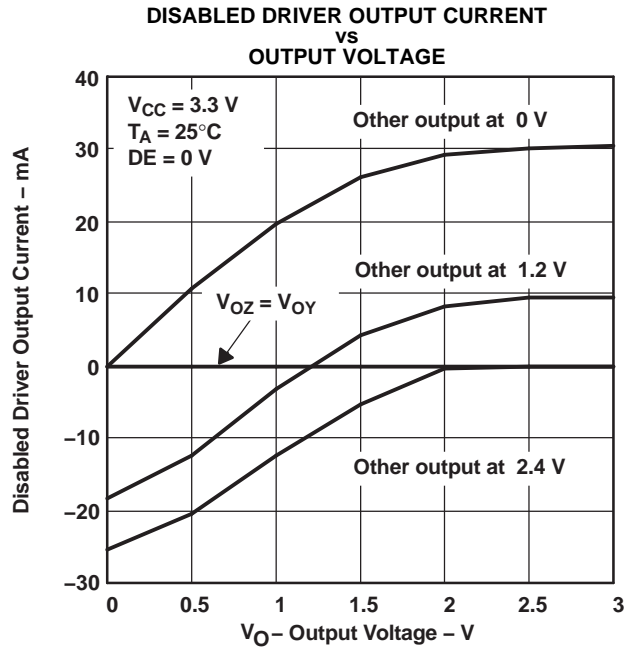


Figure 7. Enable/Disable Time Test Circuit and Waveforms

TYPICAL CHARACTERISTICS



TYPICAL CHARACTERISTICS (continued)

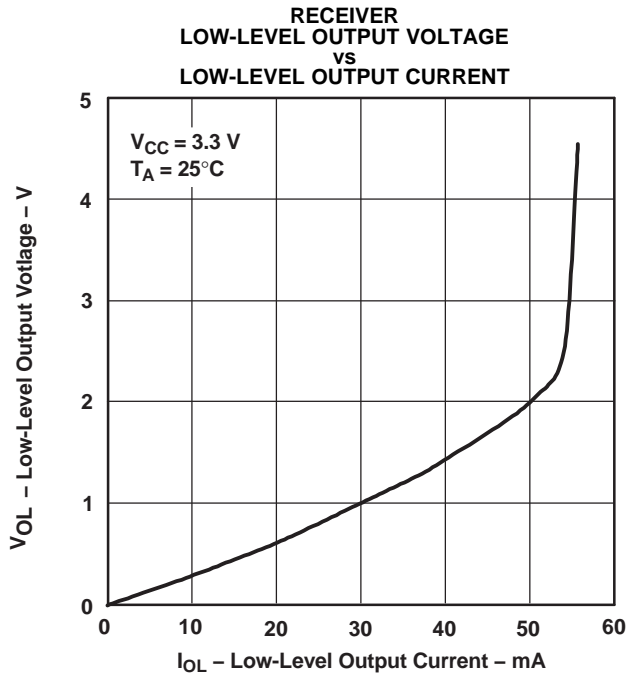


Figure 11.

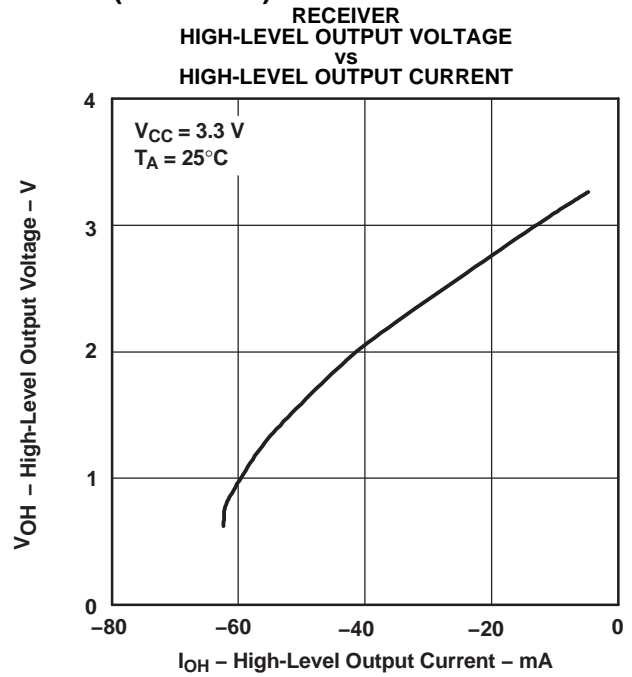


Figure 12.

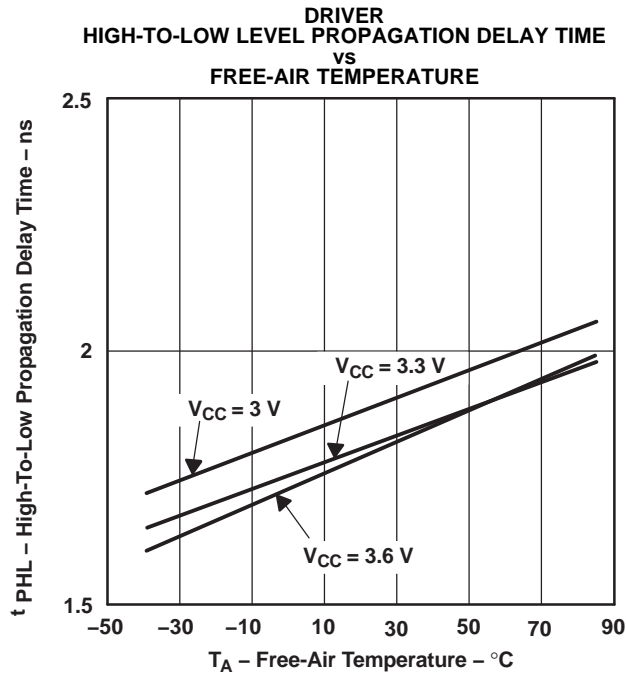


Figure 13.

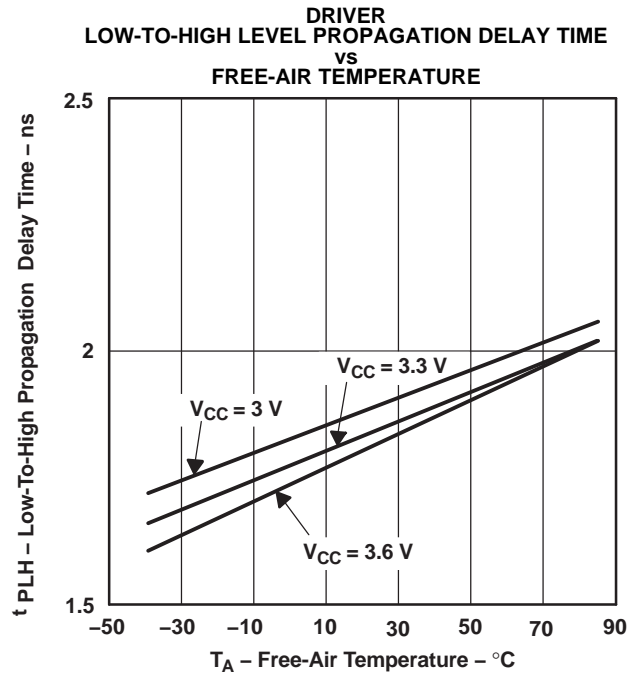


Figure 14.

TYPICAL CHARACTERISTICS (continued)
 RECEIVER
 HIGH-TO-LOW LEVEL PROPAGATION DELAY TIME
 VS
 FREE-AIR TEMPERATURE

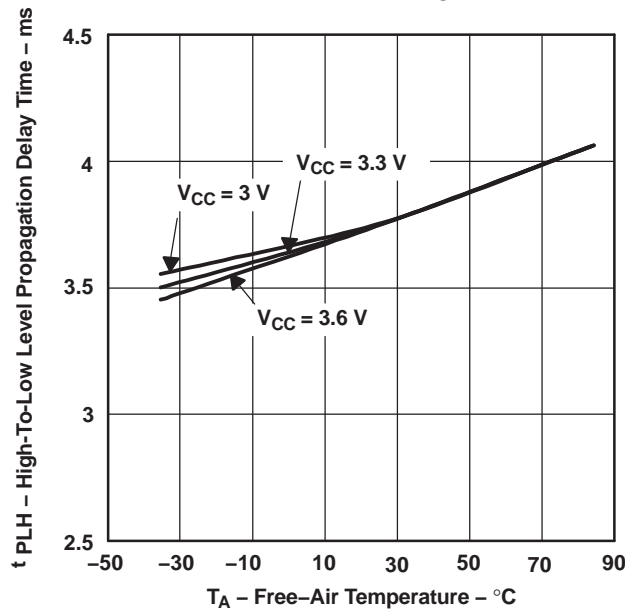


Figure 15.

RECEIVER
 LOW-TO-HIGH LEVEL PROPAGATION DELAY TIME
 VS
 FREE-AIR TEMPERATURE

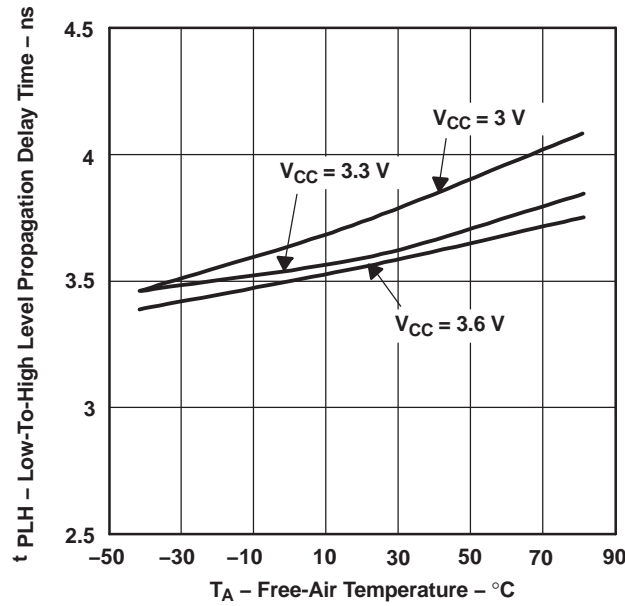


Figure 16.

APPLICATION INFORMATION

The devices are generally used as building blocks for high-speed point-to-point data transmission. Ground differences are less than 1 V with a low common-mode output and balanced interface for low noise emissions. Devices can interoperate with RS-422, PECL, and IEEE-P1596. Drivers/receivers maintain ECL speeds without the power and dual supply requirements.

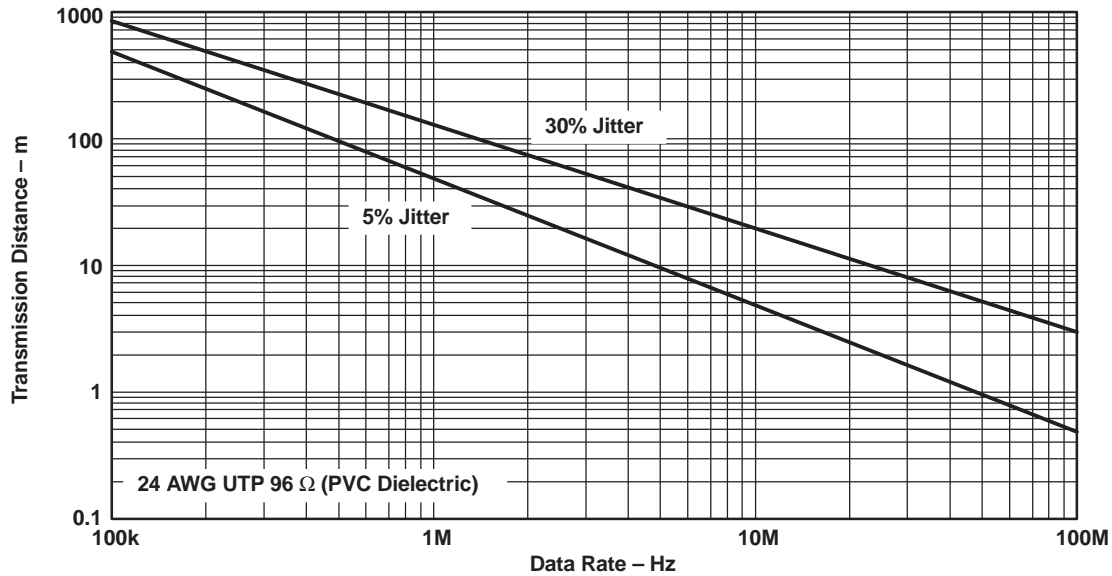


Figure 17. Data Transmission Distance Versus Rate

FAIL SAFE

One of the most common problems with differential signaling applications is how the system responds when no differential voltage is present on the signal pair. The LVDS receiver is like most differential line receivers, in that its output logic state can be indeterminate when the differential input voltage is between -100 mV and 100 mV and within its recommended input common-mode voltage range. TI's LVDS receiver is different in how it handles the open-input circuit situation, however.

Open-circuit means that there is little or no input current to the receiver from the data line itself. This could be when the driver is in a high-impedance state or the cable is disconnected. When this occurs, the LVDS receiver pulls each line of the signal pair to near V_{CC} through 300-k Ω resistors as shown in Figure 11. The fail-safe feature uses an AND gate with input voltage thresholds at about 2.3 V to $V_{CC} - 0.4$ V to detect this condition and force the output to a high-level regardless of the differential input voltage.

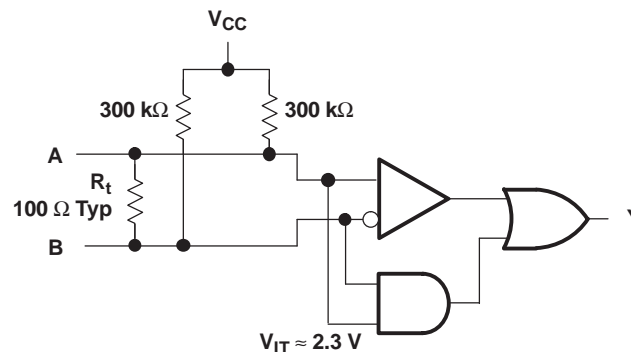


Figure 18. Open-Circuit Fail Safe of the LVDS Receiver

It is only under these conditions that the output of the receiver will be valid with less than a 100-mV differential input voltage magnitude. The presence of the termination resistor, R_t , does not affect the fail-safe function as long as it is connected as shown in the figure. Other termination circuits may allow a dc current to ground that could defeat the pullup currents from the receiver and the fail-safe feature.

REVISION HISTORY

Changes from Original (September 2003) to Revision A Page

- Deleted Feature: "Qualification in Accordance With AEC-Q100†" 1
 - Deleted Feature: "Customer-Specific Configuration Control..." 1
-

Changes from Revision A (April 2008) to Revision B Page

- Changed device number From: SN65LVDS050PWRQ1 To: SN65LVDS050IPWRQ1. Changed the device status to Production 2
-

Changes from Revision B (November 2011) to Revision C Page

- Deleted device SN65LVDS179-Q1 1
-

PACKAGING INFORMATION

| Orderable Device | Status (1) | Package Type | Package Drawing | Pins | Package Qty | Eco Plan (2) | Lead/Ball Finish (6) | MSL Peak Temp (3) | Op Temp (°C) | Device Marking (4/5) | Samples |
|--------------------|---------------|--------------|-----------------|------|-------------|-------------------------|-------------------------|----------------------|--------------|-------------------------|-------------------------|
| SN65LVDS050IPWRQ1 | ACTIVE | TSSOP | PW | 16 | 2000 | Green (RoHS & no Sb/Br) | NIPDAU | Level-1-260C-UNLIM | -40 to 85 | VDS050Q | Samples |
| SN65LVDS051DRG4Q1 | ACTIVE | SOIC | D | 16 | 2500 | Green (RoHS & no Sb/Br) | NIPDAU | Level-1-260C-UNLIM | -40 to 85 | VDS051Q | Samples |
| SN65LVDS051PWRG4Q1 | ACTIVE | TSSOP | PW | 16 | 2000 | Green (RoHS & no Sb/Br) | NIPDAU | Level-1-260C-UNLIM | -40 to 85 | VDS051Q | Samples |
| SN65LVDS051PWRQ1 | ACTIVE | TSSOP | PW | 16 | 2000 | Green (RoHS & no Sb/Br) | NIPDAU | Level-1-260C-UNLIM | -40 to 85 | VDS051Q | Samples |
| SN65LVDS180PWRG4Q1 | ACTIVE | TSSOP | PW | 14 | 2000 | Green (RoHS & no Sb/Br) | NIPDAU | Level-1-260C-UNLIM | -40 to 85 | VDS180Q | Samples |
| SN65LVDS180PWRQ1 | ACTIVE | TSSOP | PW | 14 | 2000 | Green (RoHS & no Sb/Br) | NIPDAU | Level-1-260C-UNLIM | -40 to 85 | VDS180Q | Samples |

(1) The marketing status values are defined as follows:

ACTIVE: Product device recommended for new designs.

LIFEBUY: TI has announced that the device will be discontinued, and a lifetime-buy period is in effect.

NRND: Not recommended for new designs. Device is in production to support existing customers, but TI does not recommend using this part in a new design.

PREVIEW: Device has been announced but is not in production. Samples may or may not be available.

OBSOLETE: TI has discontinued the production of the device.

(2) **RoHS:** TI defines "RoHS" to mean semiconductor products that are compliant with the current EU RoHS requirements for all 10 RoHS substances, including the requirement that RoHS substance do not exceed 0.1% by weight in homogeneous materials. Where designed to be soldered at high temperatures, "RoHS" products are suitable for use in specified lead-free processes. TI may reference these types of products as "Pb-Free".

RoHS Exempt: TI defines "RoHS Exempt" to mean products that contain lead but are compliant with EU RoHS pursuant to a specific EU RoHS exemption.

Green: TI defines "Green" to mean the content of Chlorine (Cl) and Bromine (Br) based flame retardants meet JS709B low halogen requirements of <=1000ppm threshold. Antimony trioxide based flame retardants must also meet the <=1000ppm threshold requirement.

(3) MSL, Peak Temp. - The Moisture Sensitivity Level rating according to the JEDEC industry standard classifications, and peak solder temperature.

(4) There may be additional marking, which relates to the logo, the lot trace code information, or the environmental category on the device.

(5) Multiple Device Markings will be inside parentheses. Only one Device Marking contained in parentheses and separated by a "~" will appear on a device. If a line is indented then it is a continuation of the previous line and the two combined represent the entire Device Marking for that device.

⁽⁶⁾ Lead/Ball Finish - Orderable Devices may have multiple material finish options. Finish options are separated by a vertical ruled line. Lead/Ball Finish values may wrap to two lines if the finish value exceeds the maximum column width.

Important Information and Disclaimer:The information provided on this page represents TI's knowledge and belief as of the date that it is provided. TI bases its knowledge and belief on information provided by third parties, and makes no representation or warranty as to the accuracy of such information. Efforts are underway to better integrate information from third parties. TI has taken and continues to take reasonable steps to provide representative and accurate information but may not have conducted destructive testing or chemical analysis on incoming materials and chemicals. TI and TI suppliers consider certain information to be proprietary, and thus CAS numbers and other limited information may not be available for release.

In no event shall TI's liability arising out of such information exceed the total purchase price of the TI part(s) at issue in this document sold by TI to Customer on an annual basis.

OTHER QUALIFIED VERSIONS OF SN65LVDS050-Q1, SN65LVDS051-Q1, SN65LVDS180-Q1 :

- Catalog: [SN65LVDS050](#), [SN65LVDS051](#), [SN65LVDS180](#)

NOTE: Qualified Version Definitions:

- Catalog - TI's standard catalog product

TAPE AND REEL INFORMATION



QUADRANT ASSIGNMENTS FOR PIN 1 ORIENTATION IN TAPE



*All dimensions are nominal

| Device | Package Type | Package Drawing | Pins | SPQ | Reel Diameter (mm) | Reel Width W1 (mm) | A0 (mm) | B0 (mm) | K0 (mm) | P1 (mm) | W (mm) | Pin1 Quadrant |
|--------------------|--------------|-----------------|------|------|--------------------|--------------------|---------|---------|---------|---------|--------|---------------|
| SN65LVDS051PWRG4Q1 | TSSOP | PW | 16 | 2000 | 330.0 | 12.4 | 6.9 | 5.6 | 1.6 | 8.0 | 12.0 | Q1 |
| SN65LVDS051PWRQ1 | TSSOP | PW | 16 | 2000 | 330.0 | 12.4 | 6.9 | 5.6 | 1.6 | 8.0 | 12.0 | Q1 |
| SN65LVDS180PWRG4Q1 | TSSOP | PW | 14 | 2000 | 330.0 | 12.4 | 6.9 | 5.6 | 1.6 | 8.0 | 12.0 | Q1 |
| SN65LVDS180PWRQ1 | TSSOP | PW | 14 | 2000 | 330.0 | 12.4 | 6.9 | 5.6 | 1.6 | 8.0 | 12.0 | Q1 |

TAPE AND REEL BOX DIMENSIONS


*All dimensions are nominal

| Device | Package Type | Package Drawing | Pins | SPQ | Length (mm) | Width (mm) | Height (mm) |
|--------------------|--------------|-----------------|------|------|-------------|------------|-------------|
| SN65LVDS051PWRG4Q1 | TSSOP | PW | 16 | 2000 | 367.0 | 367.0 | 35.0 |
| SN65LVDS051PWRQ1 | TSSOP | PW | 16 | 2000 | 367.0 | 367.0 | 35.0 |
| SN65LVDS180PWRG4Q1 | TSSOP | PW | 14 | 2000 | 367.0 | 367.0 | 35.0 |
| SN65LVDS180PWRQ1 | TSSOP | PW | 14 | 2000 | 367.0 | 367.0 | 35.0 |

D (R-PDSO-G16)

PLASTIC SMALL OUTLINE



- NOTES:
- A. All linear dimensions are in inches (millimeters).
 - B. This drawing is subject to change without notice.
 - C. Body length does not include mold flash, protrusions, or gate burrs. Mold flash, protrusions, or gate burrs shall not exceed 0.006 (0,15) each side.
 - D. Body width does not include interlead flash. Interlead flash shall not exceed 0.017 (0,43) each side.
 - E. Reference JEDEC MS-012 variation AC.



4220204/A 02/2017

NOTES:

1. All linear dimensions are in millimeters. Any dimensions in parenthesis are for reference only. Dimensioning and tolerancing per ASME Y14.5M.
2. This drawing is subject to change without notice.
3. This dimension does not include mold flash, protrusions, or gate burrs. Mold flash, protrusions, or gate burrs shall not exceed 0.15 mm per side.
4. This dimension does not include interlead flash. Interlead flash shall not exceed 0.25 mm per side.
5. Reference JEDEC registration MO-153.

EXAMPLE BOARD LAYOUT

PW0016A

TSSOP - 1.2 mm max height

SMALL OUTLINE PACKAGE



LAND PATTERN EXAMPLE
EXPOSED METAL SHOWN
SCALE: 10X



SOLDER MASK DETAILS

4220204/A 02/2017

NOTES: (continued)

- 6. Publication IPC-7351 may have alternate designs.
- 7. Solder mask tolerances between and around signal pads can vary based on board fabrication site.

EXAMPLE STENCIL DESIGN

PW0016A

TSSOP - 1.2 mm max height

SMALL OUTLINE PACKAGE



SOLDER PASTE EXAMPLE
BASED ON 0.125 mm THICK STENCIL
SCALE: 10X

4220204/A 02/2017

NOTES: (continued)

8. Laser cutting apertures with trapezoidal walls and rounded corners may offer better paste release. IPC-7525 may have alternate design recommendations.
9. Board assembly site may have different recommendations for stencil design.

MECHANICAL DATA

PW (R-PDSO-G14)

PLASTIC SMALL OUTLINE



- NOTES:
- A. All linear dimensions are in millimeters. Dimensioning and tolerancing per ASME Y14.5M-1994.
 - B. This drawing is subject to change without notice.
 - C. Body length does not include mold flash, protrusions, or gate burrs. Mold flash, protrusions, or gate burrs shall not exceed 0,15 each side.
 - D. Body width does not include interlead flash. Interlead flash shall not exceed 0,25 each side.
 - E. Falls within JEDEC MO-153

PW (R-PDSO-G14)

PLASTIC SMALL OUTLINE



4211284-2/G 08/15

- NOTES:
- All linear dimensions are in millimeters.
 - This drawing is subject to change without notice.
 - Publication IPC-7351 is recommended for alternate designs.
 - Laser cutting apertures with trapezoidal walls and also rounding corners will offer better paste release. Customers should contact their board assembly site for stencil design recommendations. Refer to IPC-7525 for other stencil recommendations.
 - Customers should contact their board fabrication site for solder mask tolerances between and around signal pads.

IMPORTANT NOTICE AND DISCLAIMER

TI PROVIDES TECHNICAL AND RELIABILITY DATA (INCLUDING DATASHEETS), DESIGN RESOURCES (INCLUDING REFERENCE DESIGNS), APPLICATION OR OTHER DESIGN ADVICE, WEB TOOLS, SAFETY INFORMATION, AND OTHER RESOURCES "AS IS" AND WITH ALL FAULTS, AND DISCLAIMS ALL WARRANTIES, EXPRESS AND IMPLIED, INCLUDING WITHOUT LIMITATION ANY IMPLIED WARRANTIES OF MERCHANTABILITY, FITNESS FOR A PARTICULAR PURPOSE OR NON-INFRINGEMENT OF THIRD PARTY INTELLECTUAL PROPERTY RIGHTS.

These resources are intended for skilled developers designing with TI products. You are solely responsible for (1) selecting the appropriate TI products for your application, (2) designing, validating and testing your application, and (3) ensuring your application meets applicable standards, and any other safety, security, or other requirements. These resources are subject to change without notice. TI grants you permission to use these resources only for development of an application that uses the TI products described in the resource. Other reproduction and display of these resources is prohibited. No license is granted to any other TI intellectual property right or to any third party intellectual property right. TI disclaims responsibility for, and you will fully indemnify TI and its representatives against, any claims, damages, costs, losses, and liabilities arising out of your use of these resources.

TI's products are provided subject to TI's Terms of Sale (www.ti.com/legal/termsofsale.html) or other applicable terms available either on ti.com or provided in conjunction with such TI products. TI's provision of these resources does not expand or otherwise alter TI's applicable warranties or warranty disclaimers for TI products.

Mailing Address: Texas Instruments, Post Office Box 655303, Dallas, Texas 75265
Copyright © 2020, Texas Instruments Incorporated