

6 & 8 VERSIONS

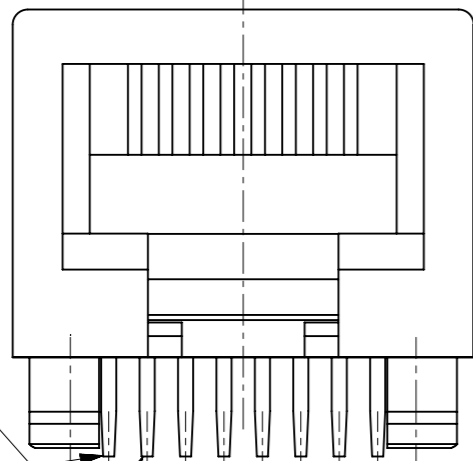
8 VERSION SHOWN

CIRCUIT 1
(8 CKTS VERSION)

4 1.27

CIRCUIT 1
(6 CKTS VERSION)

Z



6 A

5 18.10

18.10

VIEW Z

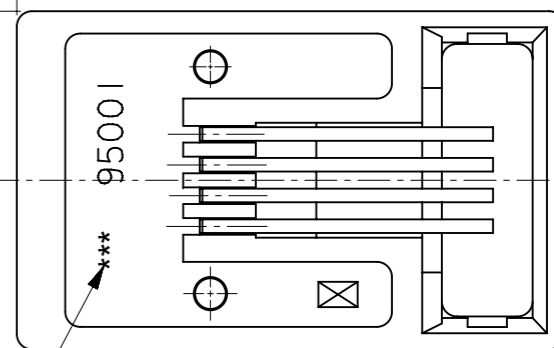
4 VERSION ONLY

7 18.10

18.10

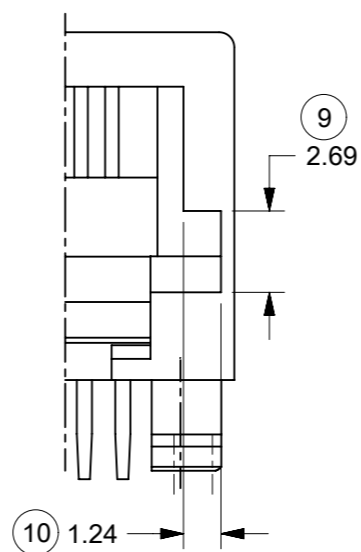
8 A

NOTE 5



NOTES:

- MATERIAL**
HOUSING: LCP GLASS FILLED UL 94 V-0, COLOUR BLACK.
TERMINAL: COPPER ALLOY
BASE FINISH: NICKEL
CONTACT SURFACE FINISH:
GOLD
OR
GOLD FLASH OVER PALLADIUM NICKEL.
EXCEEDS PRODUCT REQUIREMENTS BASED ON PSD-95501
- JACK FOR MATING WITH F.C.C. 68 PLUGS 90075 MOLEX SERIES.
- PRODUCT SPECIFICATION PSD-95501.
- PACKAGING SPECIFICATION PK-95001: STANDARD PACKAGING SHEET 1. SPECIAL PACKAGING SHEET 2. TUBE PACKAGING SHEET 3.
- MANUFACTURING I.D. CAN BE EITHER MXF, MG, MXI OR MXCH.
- RECOMMENDED PCB THICKNESS: 1.57mm
INSPECTION NUMBERS USED: 1 - 50
LAST INSPECTION NUMBER: 21



OPTIONAL
KEYING

CIRCUIT 1
(4 CKTS VERSION)

14 1.27

12 B

11 0.10 Y

13 C

20 3.00

21 1.80

19 7.88

18 2.54

17 8.89

15 11.50

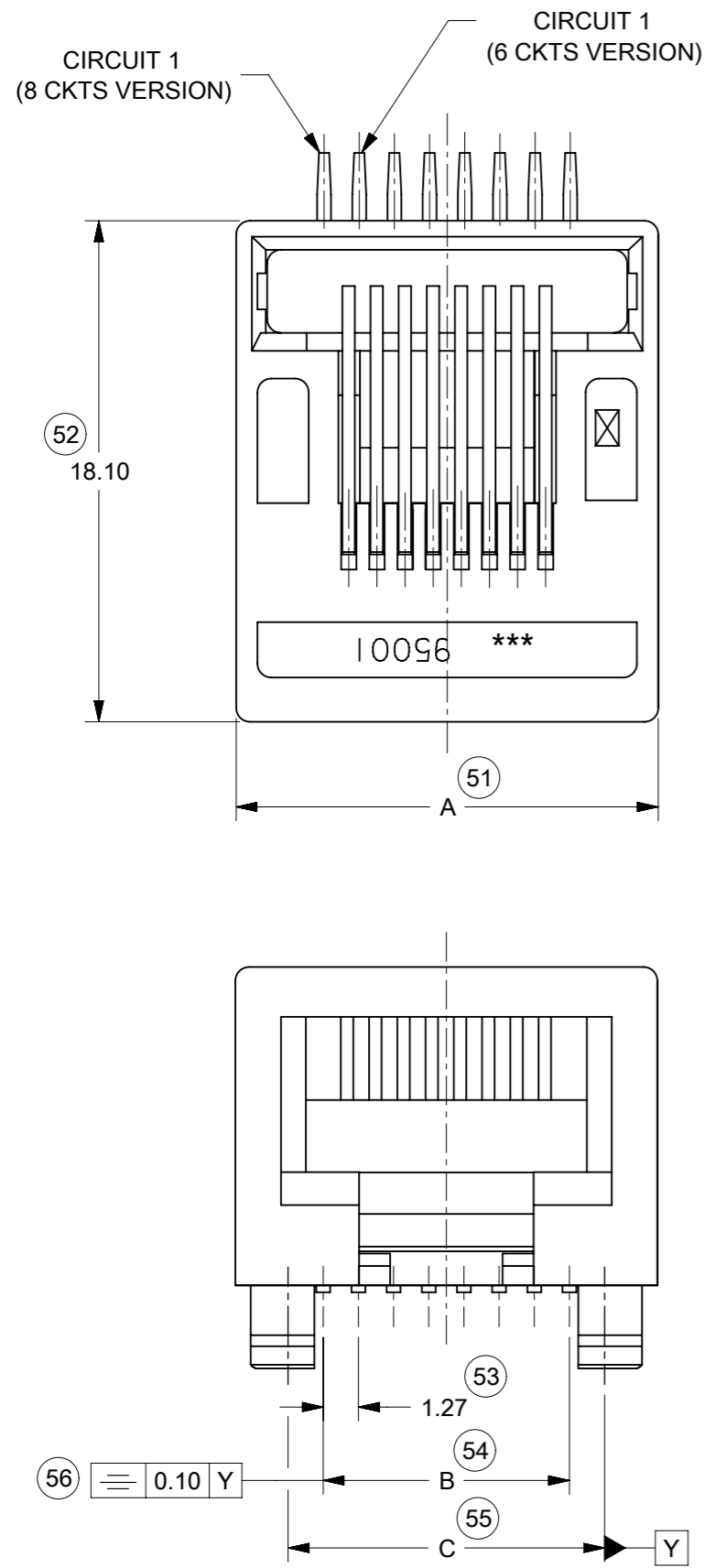
16 3.3 ±0.35

DIM.	TYPE	POS. 4	POS. 6		POS. 8
		4 CKTS.	4 CKTS.	6 CKTS.	8 CKTS.
A		11.18	13.21	13.21	15.24
C		7.62	10.16	10.16	11.43
B		3.81	3.81	6.35	8.89

FUNCTIONAL SYMBOLS	THIS DRAWING CONTAINS INFORMATION THAT IS PROPRIETARY TO MOLEX ELECTRONIC TECHNOLOGIES, LLC AND SHOULD NOT BE USED WITHOUT WRITTEN PERMISSION										
▲ = 0	DIMENSION UNITS	SCALE	CURRENT REV DESC: ADD "MXCH" AS MANUFACTURING I.D. SEE NOTE 5.								
▽ = 0	mm	1:1	GENERAL TOLERANCES (UNLESS SPECIFIED)								
∇ = 0	ANGULAR TOL ± °		4 PLACES ±							EC NO: 641518	
	4 PLACES ±		3 PLACES ±							DRWN: BCAFFREY 2017/06/30	
	3 PLACES ±		2 PLACES ± 0.15							CHK'D: KLANG 2020/08/25	
	2 PLACES ± 0.15		1 PLACE ± 0.25							APPR: KLANG 2020/08/25	
	1 PLACE ± 0.25		0 PLACES ±							INITIAL REVISION:	
	0 PLACES ±		DRAFT WHERE APPLICABLE MUST REMAIN WITHIN DIMENSIONS							DRWN: DBYRNES 2006/10/11	
	THIRD ANGLE PROJECTION		DRAWING		SERIES		MATERIAL NUMBER		CUSTOMER		
	A3-SIZE		95501		SEE CHART		GENERAL MARKET		SHEET NUMBER		
	SD-95501-001		PSD 001		F		1 OF 5				

6 & 8 VERSIONS

8 VERSION SHOWN

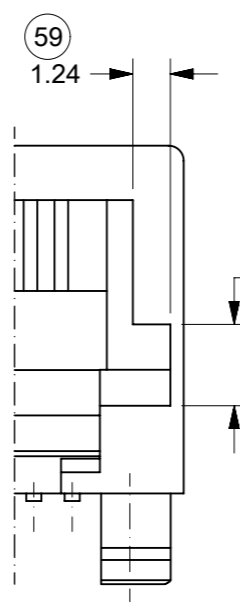


DIM. \ TYPE	POS. 4	POS. 6		POS. 8
	4 CKTS.	4 CKTS.	6 CKTS.	8 CKTS.
A	11.18	13.21	13.21	15.24
C	7.62	10.16	10.16	11.43
B	3.81	3.81	6.35	8.89

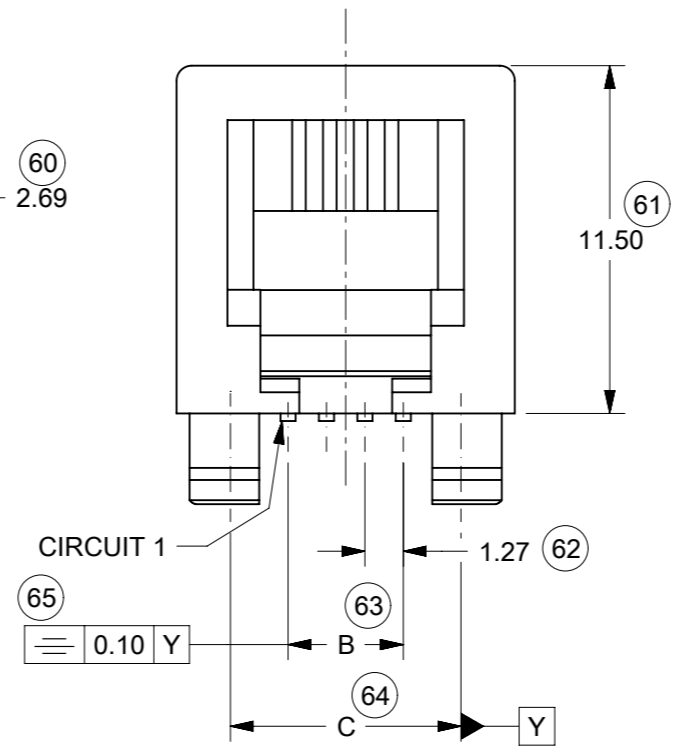
NOTES:

- MATERIAL:**
HOUSING: LCP GLASS FILLED UL 94V-0.
COLOUR BLACK.
- SEE OTHER NOTES SHEET 1.
- COPLANARITY OF SIGNAL TAILS 0.10mm.

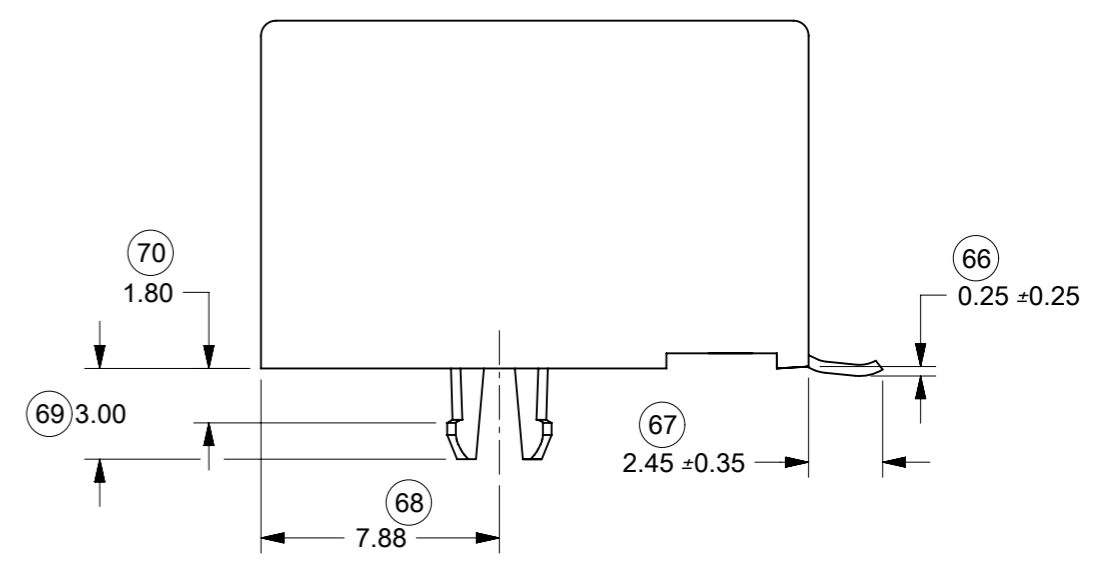
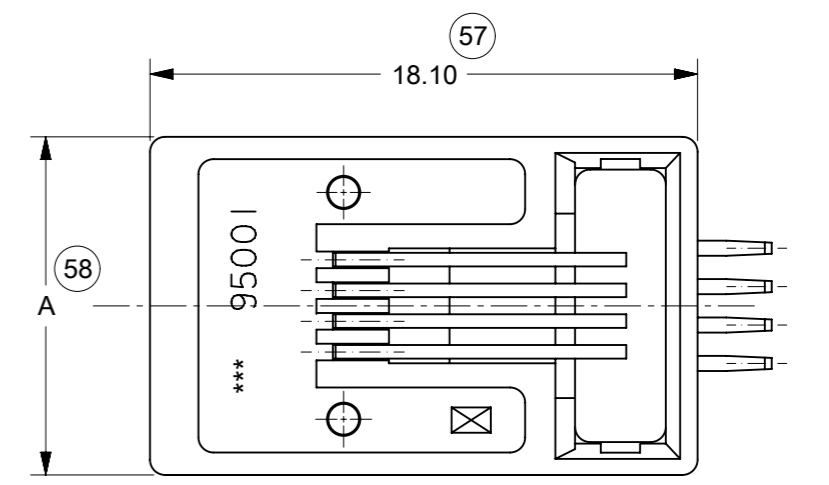
INSPECTION NUMBERS USED: 51 - 100
LAST INSPECTION NUMBER: 70



OPTIONAL KEYING



4 VERSION ONLY



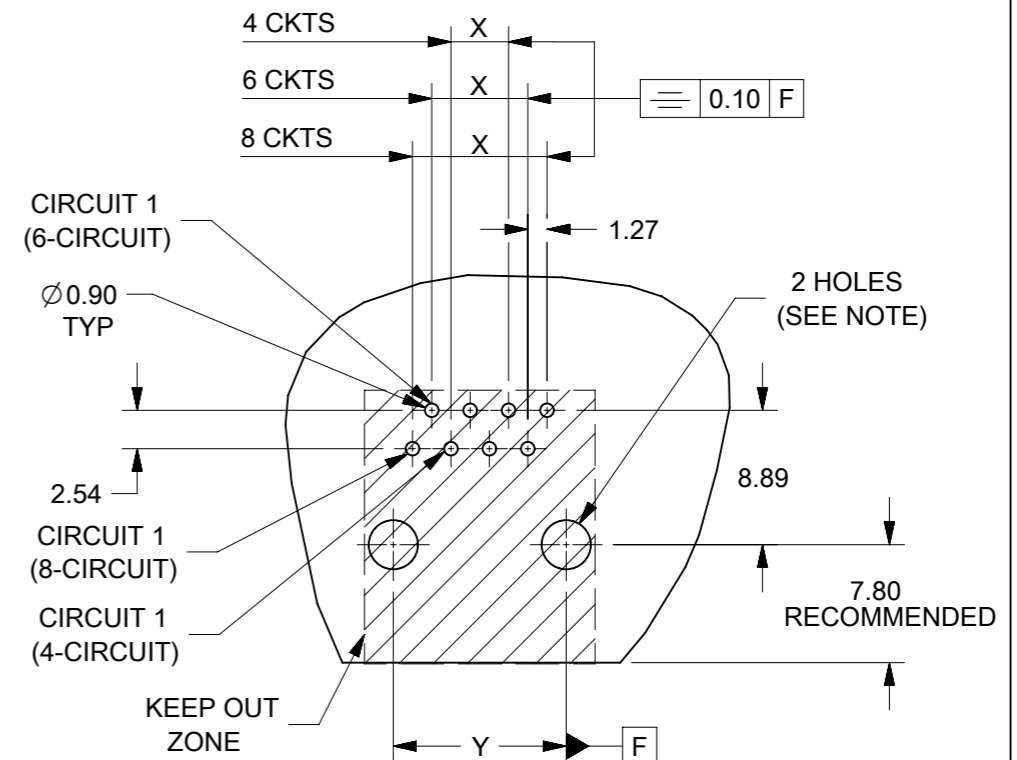
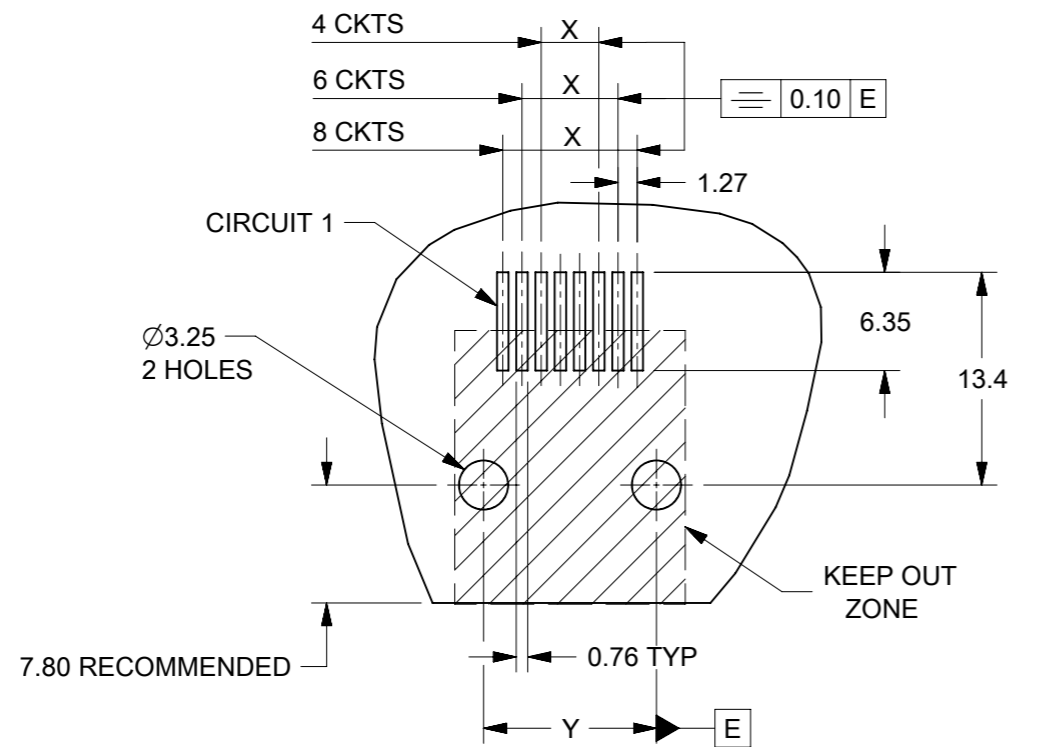
FUNCTIONAL SYMBOLS	THIS DRAWING CONTAINS INFORMATION THAT IS PROPRIETARY TO MOLEX ELECTRONIC TECHNOLOGIES, LLC AND SHOULD NOT BE USED WITHOUT WRITTEN PERMISSION	CURRENT REV DESC: ADD "MXCH" AS MANUFACTURING I.D. SEE NOTE 5.		molex	
	DIMENSION UNITS: mm	SCALE: 1:1	EC NO: 641518		
GENERAL TOLERANCES (UNLESS SPECIFIED)	ANGULAR TOL ± °	4 PLACES ±	DRWN: BCAFFREY	2017/06/30	PRODUCT CUSTOMER DRAWING
	3 PLACES ±	2 PLACES ± 0.15	CHK'D: KLANG	2020/08/25	
DIVISIONAL SYMBOLS	1 PLACE ± 0.25	0 PLACES ±	APPR: KLANG	2020/08/25	DOCUMENT NUMBER
	DRAFT WHERE APPLICABLE MUST REMAIN WITHIN DIMENSIONS	THIRD ANGLE PROJECTION	DRWN: DBYRNES	2006/10/11	SD-95501-001
			APPR: EOMAHONY	2006/10/12	DOC TYPE DOC PART REVISION
					PSD 001 F
					MATERIAL NUMBER CUSTOMER SHEET NUMBER
					SEE CHART GENERAL MARKET 2 OF 5

DIM. \ TYPE	POS. 4	POS. 6		POS. 8
	4 CKTS.	4 CKTS.	6 CKTS.	8 CKTS.
Y±0.05	7.62	10.16	10.16	11.43
X±0.05	3.81	3.81	6.35	8.89

P.C.B. MOUNTING PATTERNS - SEE FROM COMPONENT SIDE

FOR SMT JACK TYPE (SURFACE MOUNT)

FOR STANDARD JACK TYPE (THROUGH HOLE)



FOR ALL VERSIONS, CIRCUIT 1 ALWAYS ON THE LEFT SIDE _FT SIDE

NOTE:
 FOR CONVECTION SOLDERING: DIA 3.25±0.05
 FOR WAVE SOLDERING: DIA 3.20±0.10
 ALL DIMENSIONS REF DIMENSIONS

FUNCTIONAL SYMBOLS	THIS DRAWING CONTAINS INFORMATION THAT IS PROPRIETARY TO MOLEX ELECTRONIC TECHNOLOGIES, LLC AND SHOULD NOT BE USED WITHOUT WRITTEN PERMISSION		
	$\nabla = 0$ $\nabla = 0$ $\nabla = 0$	DIMENSION UNITS: mm SCALE: 1:1 GENERAL TOLERANCES (UNLESS SPECIFIED): ANGULAR TOL ± °	CURRENT REV DESC: ADD "MXCH" AS MANUFACTURING I.D. SEE NOTE 5. EC NO: 641518 DRWN: BCAFFREY 2017/06/30 CHK'D: KLANG 2020/08/25 APPR: KLANG 2020/08/25
DIVISIONAL SYMBOLS	4 PLACES ± 3 PLACES ± 2 PLACES ± 0.15 1 PLACE ± 0.25 0 PLACES ±	INITIAL REVISION: DRWN: DBYRNES 2006/10/11 APPR: EOMAHONY 2006/10/12	molex R/A LOW PROFILE PC JACK 4,6,8 CKTS SIZE THROUGH HOLE VERSION PRODUCT CUSTOMER DRAWING
	DRAFT WHERE APPLICABLE MUST REMAIN WITHIN DIMENSIONS THIRD ANGLE PROJECTION DRAWING: A3-SIZE SERIES: 95501	MATERIAL NUMBER: SEE CHART CUSTOMER: GENERAL MARKET	DOCUMENT NUMBER: SD-95501-001 DOC TYPE: PSD DOC PART: 001 REVISION: F

STANDARD PACKAGING OPEN TRAY, SEE PACKAGING SPEC PK95001 SHEET 1

HOUSING SIZE	LOADED CONTACTS
4	4
6	4
6	6
8	8

PART NO. FOR JACK ASSEMBLY THROUGH HOLE VERSION							
LCP GLASS FILLED UL-94V0, COLOUR BLACK.							
NO KEY	TOOLED	KEY	TOOLED		TOOLED		TOOLED
NOT RIBBED		NOT RIBBED					
95501-2441	X						
95501-2641	X						
95501-2661	X						
95501-2881	X	95501-2882	X				

FUNCTIONAL SYMBOLS FA=0 FE=0 FF=0	DIMENSION UNITS	SCALE	THIS DRAWING CONTAINS INFORMATION THAT IS PROPRIETARY TO MOLEX ELECTRONIC TECHNOLOGIES, LLC AND SHOULD NOT BE USED WITHOUT WRITTEN PERMISSION	
	mm	1:1	CURRENT REV DESC: ADD "MXCH" AS MANUFACTURING I.D. SEE NOTE 5.	
DIVISIONAL SYMBOLS	GENERAL TOLERANCES (UNLESS SPECIFIED)		molex R/A LOW PROFILE PC JACK 4,6,8 CKTS SIZE THROUGH HOLE VERSION PRODUCT CUSTOMER DRAWING	
	ANGULAR TOL	± °		
	4 PLACES	±	EC NO: 641518	2017/06/30
	3 PLACES	±	DRWN: BCAFFREY	2020/08/25
	2 PLACES	± 0.15	CHK'D: KLANG	2020/08/25
	1 PLACE	± 0.25	APPR: KLANG	
	0 PLACES	±	INITIAL REVISION:	
			DRWN: DBYRNES	2006/10/11
			APPR: EOMAHONY	2006/10/12
	DRAFT WHERE APPLICABLE MUST REMAIN WITHIN DIMENSIONS	THIRD ANGLE PROJECTION	DRAWING	SERIES
			A3-SIZE	95501
			MATERIAL NUMBER	CUSTOMER
			SEE CHART	GENERAL MARKET
			DOCUMENT NUMBER	DOC TYPE DOC PART REVISION
			SD-95501-001	PSD 001 F
				SHEET NUMBER
				4 OF 5

SPECIAL PACKAGING TUBE, SEE PACKAGING SPEC PK95001 SHEET 3

PART NO. FOR JACK ASSEMBLY THROUGH HOLE VERSION

LCP GLASS FILLED UL 94-V0, COLOUR BLACK.

NO KEY	TOOLED	KEY		TOOLED	TOOLED	TOOLED
		NOT RIBBED	TOOLED			
95501-2401	X					
95501-2601	X					
95501-2611	X					
95501-2821	X					

PART NO. FOR JACK ASSEMBLY SMT VERSION

LCP GLASS FILLED UL 94-V0, COLOUR BLACK.

NO KEY	TOOLED	KEY		NO KEY	TOOLED	KEY		TOOLED
		NOT RIBBED	TOOLED			NOT RIBBED	TOOLED	
95501-6449	X							
95501-6649	X							
95501-6669	X							
95501-6889	X	95501-6890	X					

HOUSING SIZE	LOADED CONTACTS
4	4
6	4
6	6
8	8

FUNCTIONAL SYMBOLS	THIS DRAWING CONTAINS INFORMATION THAT IS PROPRIETARY TO MOLEX ELECTRONIC TECHNOLOGIES, LLC AND SHOULD NOT BE USED WITHOUT WRITTEN PERMISSION	SCALE 1:1	CURRENT REV DESC: ADD "MXCH" AS MANUFACTURING I.D. SEE NOTE 5.	molex		
$\nabla = 0$	DIMENSION UNITS mm	GENERAL TOLERANCES (UNLESS SPECIFIED)	EC NO: 641518	R/A LOW PROFILE PC JACK 4,6,8 CKTS SIZE THROUGH HOLE VERSION		
$\nabla = 0$	ANGULAR TOL	± °	DRWN: BCAFFREY	PRODUCT CUSTOMER DRAWING		
$\nabla = 0$	4 PLACES	±	APPR: KLANG	2017/06/30	DOCUMENT NUMBER	
DIVISIONAL SYMBOLS	3 PLACES	±	INITIAL REVISION:	2020/08/25	SD-95501-001	PSD
	2 PLACES	± 0.15	DRWN: DBYRNES	2020/08/25	001	F
	1 PLACE	± 0.25	APPR: EOMAHONY	2006/10/11		
	0 PLACES	±	2006/10/12			
	DRAFT WHERE APPLICABLE MUST REMAIN WITHIN DIMENSIONS	THIRD ANGLE PROJECTION	DRAWING	SERIES	MATERIAL NUMBER	CUSTOMER
			A3-SIZE	95501	SEE CHART	GENERAL MARKET
						SHEET NUMBER
						5 OF 5

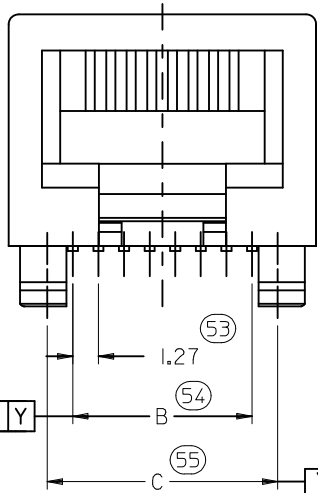
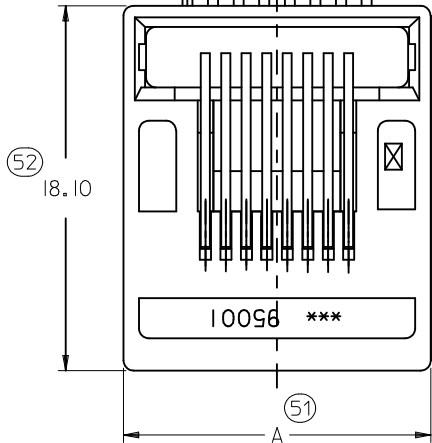
10 9 8 7 6 5 4 3 2 1

6 & 8 VERSIONS

8 VERSION SHOWN

CIRCUIT I
(8 CKTS VERSION)

CIRCUIT I
(6 CKTS VERSION)



TYPE	POS. 4	POS. 6		POS. 8
	4 CKTS.	4 CKTS.	6 CKTS.	8 CKTS.
A	11.18	13.21	13.21	15.24
C	7.62	10.16	10.16	11.43
B	3.81	3.81	6.35	8.89

NOTES :

1- MATERIAL:

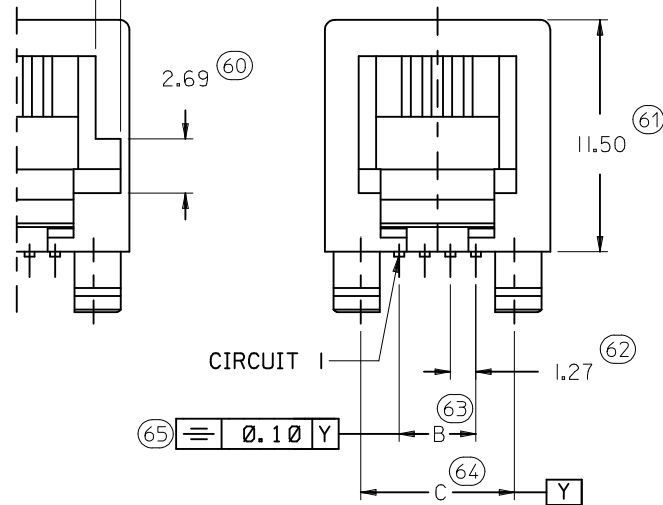
-HOUSING: LCP GLASS FILLED UL 94V-0,
COLOUR BLACK.

2- SEE OTHER NOTES SHEET 1

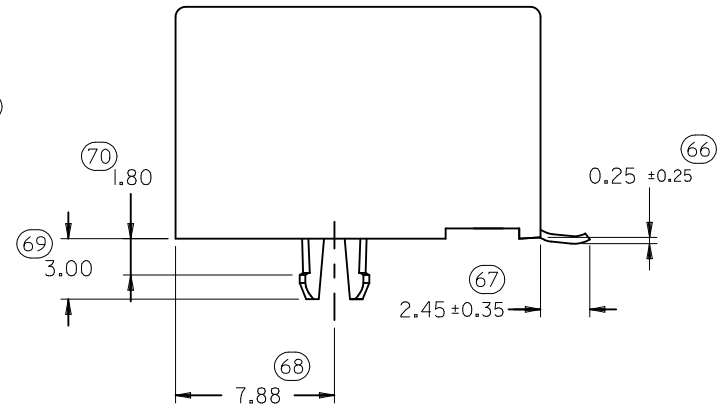
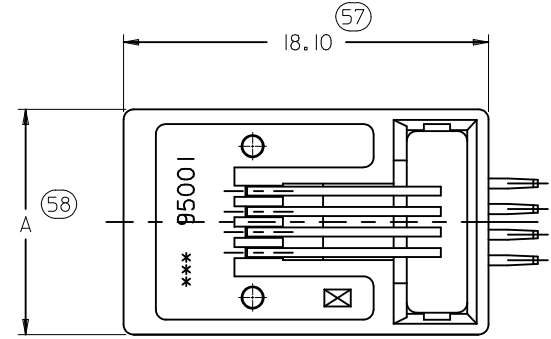
3- COPLANARITY OF SIGNAL TAILS 0.10MM
INSPECTION NUMBERS USED: 51 - 100
LAST INSPECTION NUMBER: 70

OPTIONAL KEYING

59 1.24



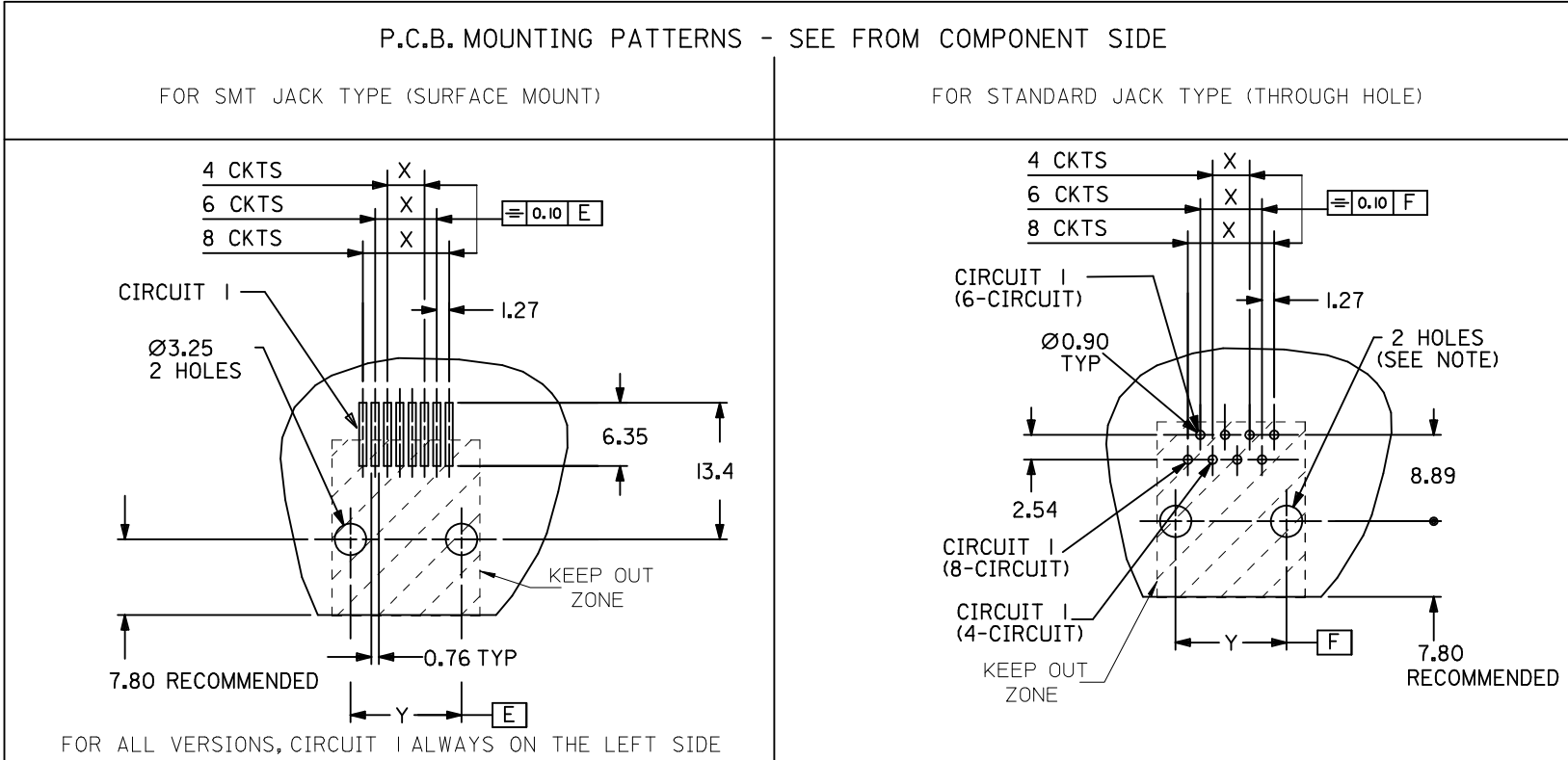
4 VERSION ONLY



REMOVED INCHES EC NO: E2012-0079 DRWN: JCONNOR 2011/02/23 CHKD: APPR: EFOLAN 2011/09/28	QUALITY SYMBOLS ▽=0 ∇=0	GENERAL TOLERANCES (UNLESS SPECIFIED)	DIMENSION STYLE MM ONLY	SCALE 4:1	DESIGN UNITS METRIC	THIRD ANGLE PROJECTION																										
		<table border="1"> <thead> <tr> <th></th> <th>mm</th> <th>INCH</th> </tr> </thead> <tbody> <tr> <td>4 PLACES</td> <td>± ---</td> <td>± ---</td> </tr> <tr> <td>3 PLACES</td> <td>± ---</td> <td>± ---</td> </tr> <tr> <td>2 PLACES</td> <td>± 0.15</td> <td>± ---</td> </tr> <tr> <td>1 PLACE</td> <td>± 0.25</td> <td>± ---</td> </tr> </tbody> </table>		mm	INCH	4 PLACES	± ---	± ---	3 PLACES	± ---	± ---	2 PLACES	± 0.15	± ---	1 PLACE	± 0.25	± ---	<table border="1"> <thead> <tr> <th>DRAWN BY</th> <th>DATE</th> <th>TITLE</th> </tr> </thead> <tbody> <tr> <td>DYRNES</td> <td>2006/08/02</td> <td>R/A LOW PROFILE PC JACK 4,6,8 CKTS SIZE SMT VERSION</td> </tr> <tr> <td>EOMAHONY</td> <td>2006/08/12</td> <td></td> </tr> <tr> <td>EOMAHONY</td> <td>2006/08/12</td> <td></td> </tr> </tbody> </table>	DRAWN BY	DATE	TITLE	DYRNES	2006/08/02	R/A LOW PROFILE PC JACK 4,6,8 CKTS SIZE SMT VERSION	EOMAHONY	2006/08/12		EOMAHONY	2006/08/12		MOLEX INCORPORATED	
	mm	INCH																														
4 PLACES	± ---	± ---																														
3 PLACES	± ---	± ---																														
2 PLACES	± 0.15	± ---																														
1 PLACE	± 0.25	± ---																														
DRAWN BY	DATE	TITLE																														
DYRNES	2006/08/02	R/A LOW PROFILE PC JACK 4,6,8 CKTS SIZE SMT VERSION																														
EOMAHONY	2006/08/12																															
EOMAHONY	2006/08/12																															
		DRAFT WHERE APPLICABLE MUST REMAIN WITHIN DIMENSIONS	SEE CHART SHEETS 4 & 5	DOCUMENT NO. SD-95501-001		SHEET NO. 2 OF 5																										
			SIZE A3	THIS DRAWING CONTAINS INFORMATION THAT IS PROPRIETARY TO MOLEX INCORPORATED AND SHOULD NOT BE USED WITHOUT WRITTEN PERMISSION																												

9 8 7 6 5 4 3 2 1

TYPE \ DIM.	POS. 4	POS. 6		POS. 8
	4 CKTS.	4 CKTS.	6 CKTS.	8 CKTS.
Y ±0.05	7.62	10.16	10.16	11.43
X ±0.05	3.81	3.81	6.35	8.89



NOTE:
 FOR CONVECTION SOLDERING: DIA 3.25±0.05
 FOR WAVE SOLDERING: DIA 3.20±0.10
 ALL DIMENSIONS REF DIMENSIONS

REMOVED INCHES	EC NO: E2012-0079	DRWN: JCONNOR	2011/02/23	QUALITY SYMBOLS ▽=0 ◻=0	GENERAL TOLERANCES (UNLESS SPECIFIED)		DIMENSION STYLE MM ONLY		SCALE 2:1	DESIGN UNITS METRIC	THIRD ANGLE PROJECTION		
	CHKD:	APPR: EFOLAN	2011/09/28		DESCRIPTION	mm	INCH	DRAWN BY	DATE	TITLE			
					4 PLACES	± ---	± ---	DBYRNES	2006/08/02	R/A LOW PROFILE JACK PC JACK 4,6,8 CKT SIZE SMT AND STANDARD VERSION			
					3 PLACES	± ---	± ---	CHECKED BY	DATE				
				2 PLACES	± 0.15	± ---	EOMAHONY	2006/08/12	MOLEX INCORPORATED				
				1 PLACE	± 0.25	± ---	APPROVED BY	DATE					
				ANGULAR ± ---°			EOMAHONY	2006/08/12	MOLEX INCORPORATED				
				DRAFT WHERE APPLICABLE MUST REMAIN WITHIN DIMENSIONS			MATERIAL NO.	DOCUMENT NO.				SHEET NO.	
							SEE CHART SHEETS 4 & 5		SD-95501-001	3 OF 5			
							SIZE	THIS DRAWING CONTAINS INFORMATION THAT IS PROPRIETARY TO MOLEX INCORPORATED AND SHOULD NOT BE USED WITHOUT WRITTEN PERMISSION					
							A3						

SPECIAL PACKAGING TUBE, SEE PACKAGING SPEC PK95001 SHEET 3

PART NO FOR JACK ASSEMBLY
THROUGH HOLE VERSION

PART NO FOR JACK ASSEMBLY
SMT VERSION

HOUSING SIZE	LOADED CONTACTS
4	4
6	4
6	6
8	8

LCP GLASS FILED 94V0,COLOR BLACK.							
NO KEY	TOOLED	KEY	TOOLED		TOOLED		TOOLED
NOT RIBBED	TOOLED	NOT RIBBED	TOOLED		TOOLED		TOOLED
95501-2401	X						
95501-2601	X						
95501-2611	X						
95501-2821	X						

LCP GLASS FILLED 94V0 COLOUR BLACK							
NO KEY	TOOLED	KEY	TOOLED	NO KEY	TOOLED	KEY	TOOLED
NOT RIBBED	TOOLED	NOT RIBBED	TOOLED	NOT RIBBED	TOOLED	NOT RIBBED	TOOLED
95501-6449	X						
95501-6649	X						
95501-6669	X						
95501-6889	X	95501-6890	X				

REMOVED OPTIONS EC NO: IPG2012-0602 DRW:DBYRNES 2012/03/30 CHKD:MSHAHAN 2012/03/30 APPR:EFOLAN 2012/06/26	QUALITY SYMBOLS 	GENERAL TOLERANCES (UNLESS SPECIFIED)		DIMENSION STYLE MM ONLY		SCALE ---	DESIGN UNITS METRIC	THIRD ANGLE PROJECTION		
			mm	INCH	DRAWN BY	DATE	TITLE LOW PROFILE R/A JACK STANDARD AND SMT VERSION TUBE PACKAGING MOLEX INCORPORATED			
		4 PLACES	± ---	± ---	DBYRNES	2006/08/02				
		3 PLACES	± ---	± ---	CHECKED BY	DATE				
2 PLACES	± ---	± ---	EOMAHONY	2006/08/12	DOCUMENT NO. SD-95501-001					
1 PLACE	± ---	± ---	APPROVED BY	DATE						
		ANGULAR ± ---°	EOMAHONY	2006/08/12	SHEET NO. 5 OF 5					
		DRAFT WHERE APPLICABLE MUST REMAIN WITHIN DIMENSIONS	SEE CHART							
			SIZE A3	THIS DRAWING CONTAINS INFORMATION THAT IS PROPRIETARY TO MOLEX INCORPORATED AND SHOULD NOT BE USED WITHOUT WRITTEN PERMISSION						