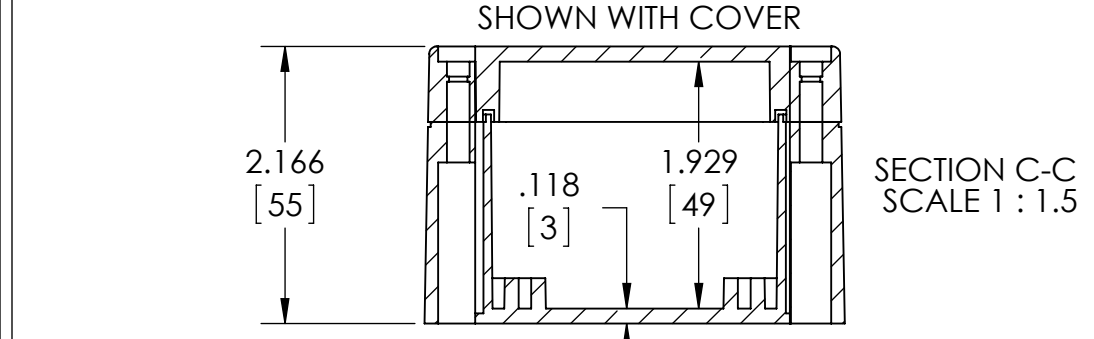


BODY

COVER



MATERIAL & FINISH:
 (-MB SUFFIX PART NO.) POLYCARBONATE UL94-HB, UV STABILIZED, SERVICE TEMPERATURE RANGE: -40°C TO +120°C, LIGHT GRAY BODY & COVER.
 (-CMB SUFFIX PART NO.) SAME AS -MB EXCEPT CLEAR COVER.
 (-DGMB SUFFIX PART NO.) ABS UL94-HB, SERVICE TEMPERATURE RANGE: -40°C TO +80°C, DARK GRAY BODY & COVER.

NOTES:
 1.) FOUR (4) M4 STAINLESS STEEL SCREWS SUPPLIED FOR ASSEMBLY OF COVER TO BODY.
 2.) BOXES DESIGNED TO MEET FOLLOWING STANDARDS:
 NEMA 1, 2, 4, 4X, 12, 13 AND IEC529-IP66 REQUIREMENTS.
 3.) ALL HOLE DIAMETERS HAVE ±.005[.12] TOLERANCE.
 ALL OTHER DIMENSIONS HAVE ±.015[.38] TOLERANCE.
 4.) ALL OUTSIDE DRAFT ANGLE: 1°
 ALL INSIDE DRAFT ANGLE: 1/2°
 5.) DIMENSIONS ARE INCH[MM]

MOUNTING HOLES ACCEPT M4 OR #8 PAN HEAD SCREW (NOT SUPPLIED)

SILICONE SPONGE GASKET

SECTION A-A
SCALE 1 : 1.5

SECTION B-B
SCALE 1 : 1.5

SECTION C-C
SCALE 1 : 1.5

Mouser Electronics

Authorized Distributor

Click to View Pricing, Inventory, Delivery & Lifecycle Information:

[Bud Industries:](#)

[PN-1331-CMB](#) [PN-1331-DGMB](#) [PN-1331-MB](#)