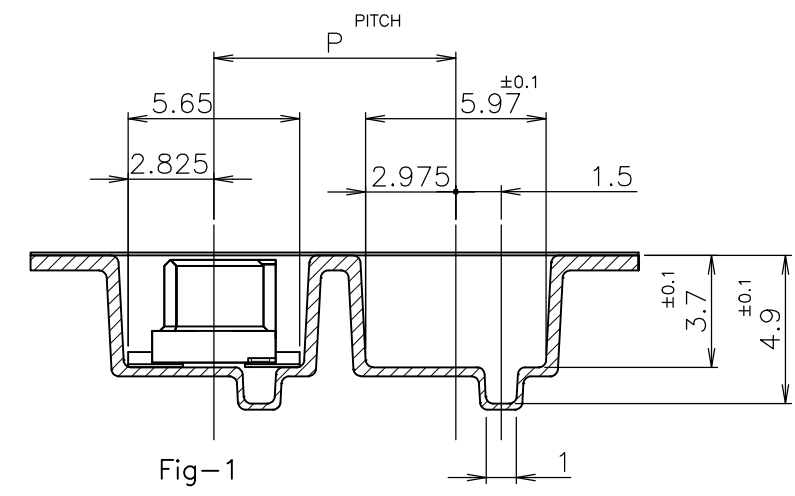
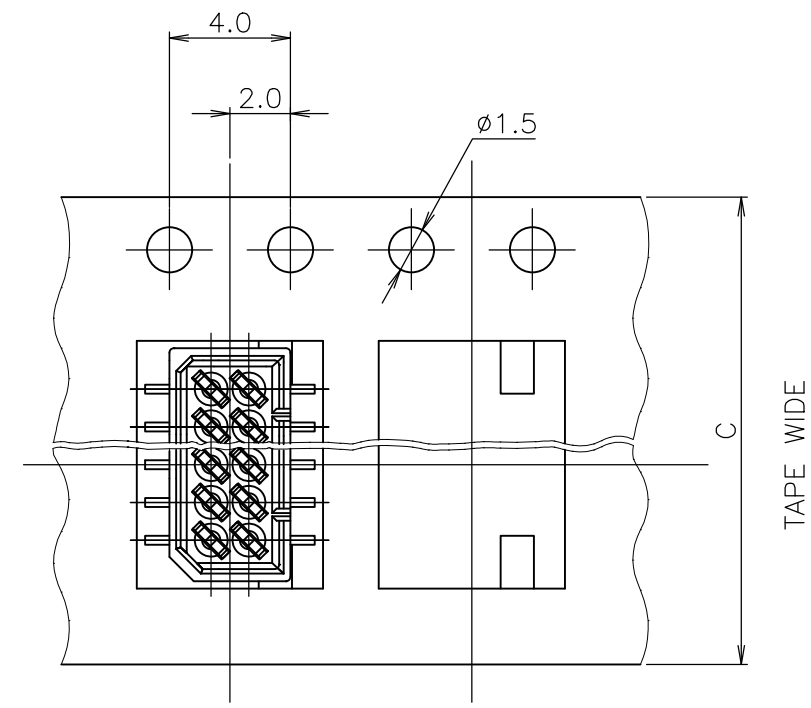
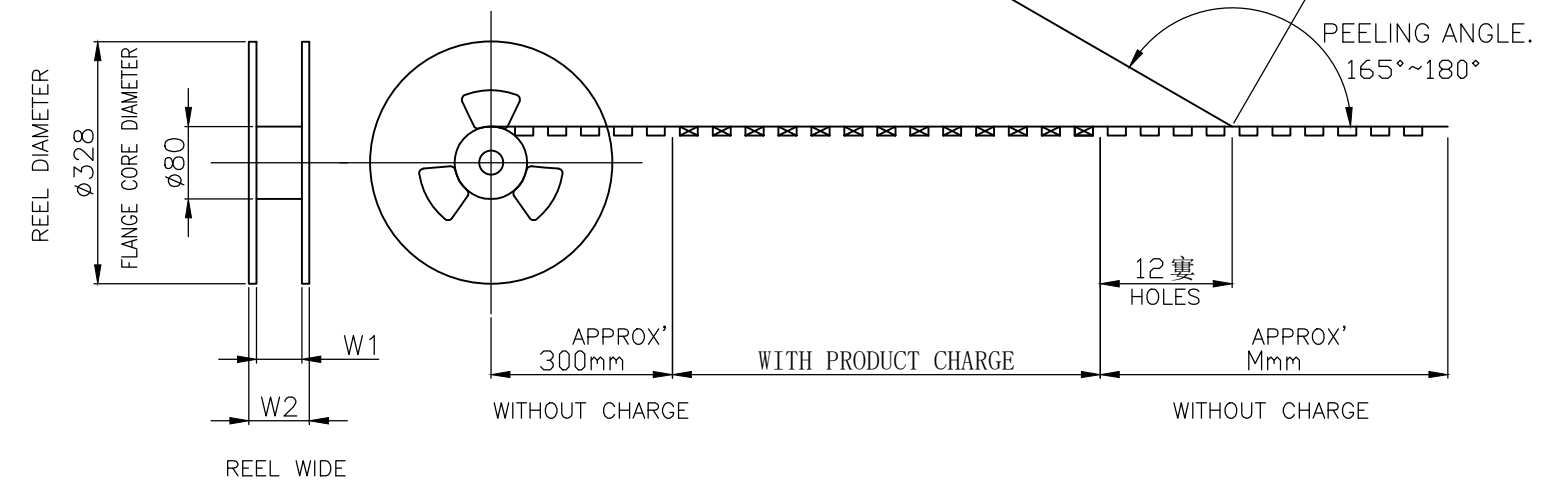


THIS DRAWING IS UNPUBLISHED. RELEASED FOR PUBLICATION  
 © COPYRIGHT By - ALL RIGHTS RESERVED.

REVISIONS					
P	LTR	DESCRIPTION	DATE	DWN	APVD
G		REVISED ECR-14-010014	11NOV2014	I.T	W.H
H		REVISED PER ECO-17-010005	10OCT2017	R.L	S.Y



TOP OF REEL



NOTES;  
 △ PACKING SPEC : 107-5123-1

OBSOLETE								20	2	4	5	0	5	0
OBSOLETE								18	2	3	4	8	4	8
OBSOLETE	29	26	600	12		1000	16		9	4	6	4	6	
								12		8	4	2	4	2
								10	1-720999-1	4	0	4	0	
OBSOLETE	21	18	300	8	16	1500	6	1-912050-3	3-174904-6	3-175630-6				
	W <sub>2</sub>	W <sub>1</sub>	M	P	C	?? (?) QTY/REEL	?? Pos.	?????? ? ? EMBOSS TAPE P/N	????? (???) CONNECTOR P/N	???? ????? TAPING P/N				

WITHOUT POLYAMIDE TAPE

THIS DRAWING IS A CONTROLLED DOCUMENT.		DWN J.TANIGAWA 28MAY88	TE Connectivity			
DIMENSIONS: mm		CHK S.KIKUCHI 30MAY88				
TOLERANCES UNLESS OTHERWISE SPECIFIED:		APVD N.ONOUE 30MAY88	NAME			
0-PLC ± 1-PLC ± 2-PLC ± 3-PLC ± 4-PLC ± ANGLES ± FINISH ±		PRODUCT SPEC	ON TAPING (EMBOSS) 1.25 F-P CONN. DOUBLE ROW REC HDR ASS'Y (V) SMT WITHOUT BOSS			
MATERIAL		APPLICATION SPEC	SIZE	CAGE CODE	DRAWING NO	RESTRICTED TO
		WEIGHT	A3	00779	C-175630	
CUSTOMER DRAWING			SCALE	SHEET	REV	
			NON	1 OF 2	H	

THIS DRAWING IS UNPUBLISHED.

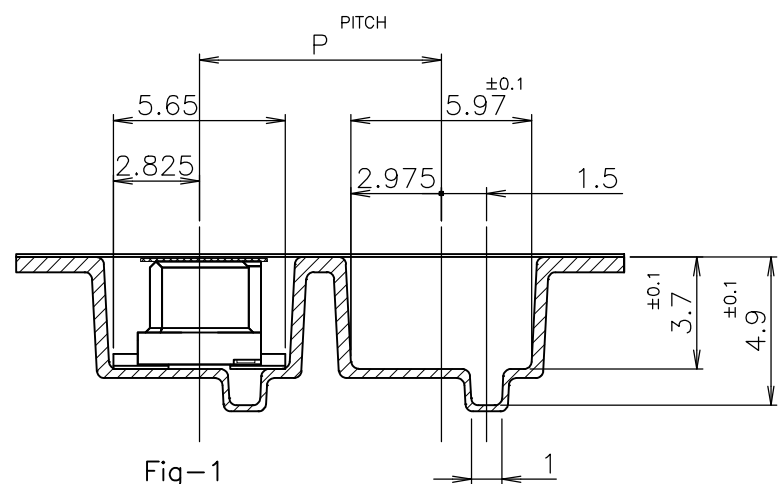
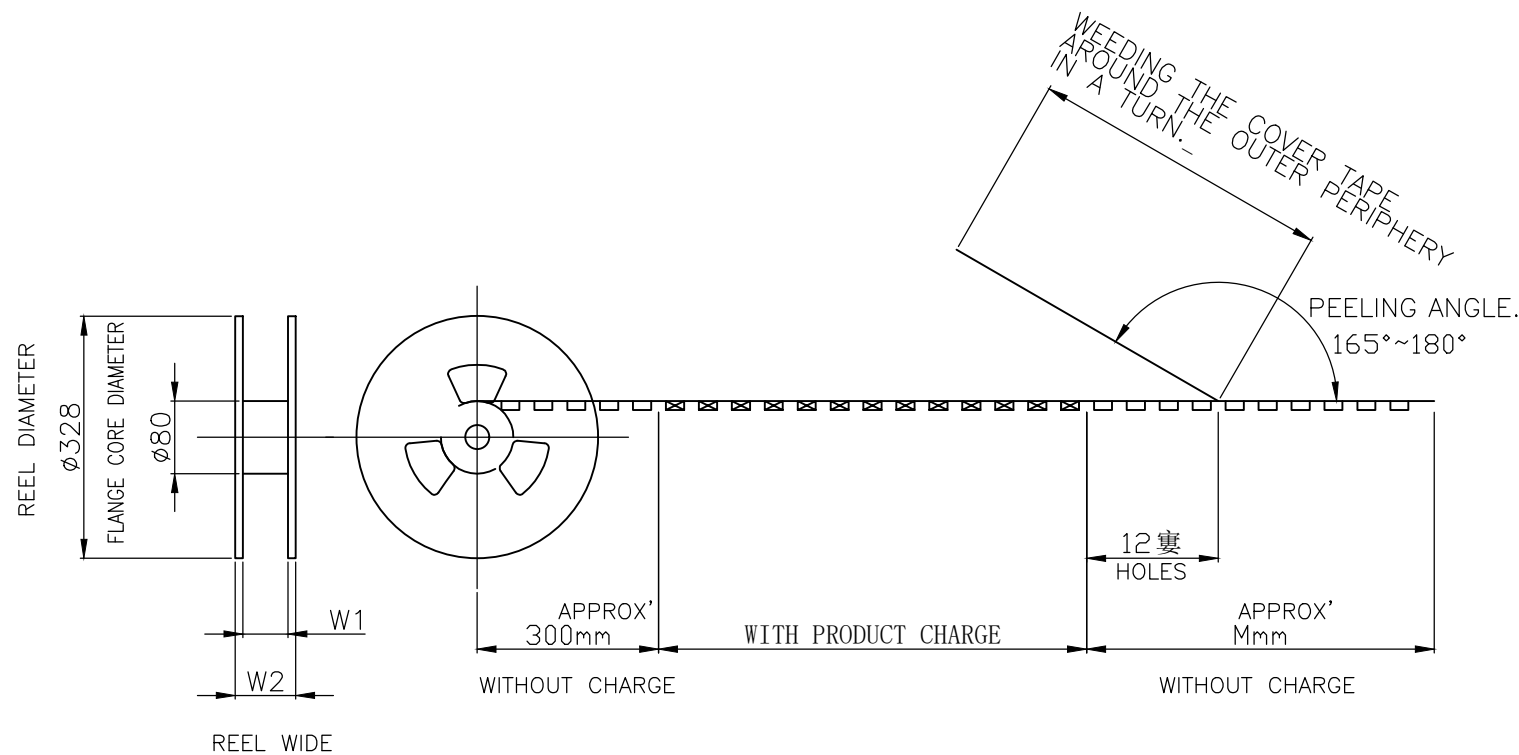
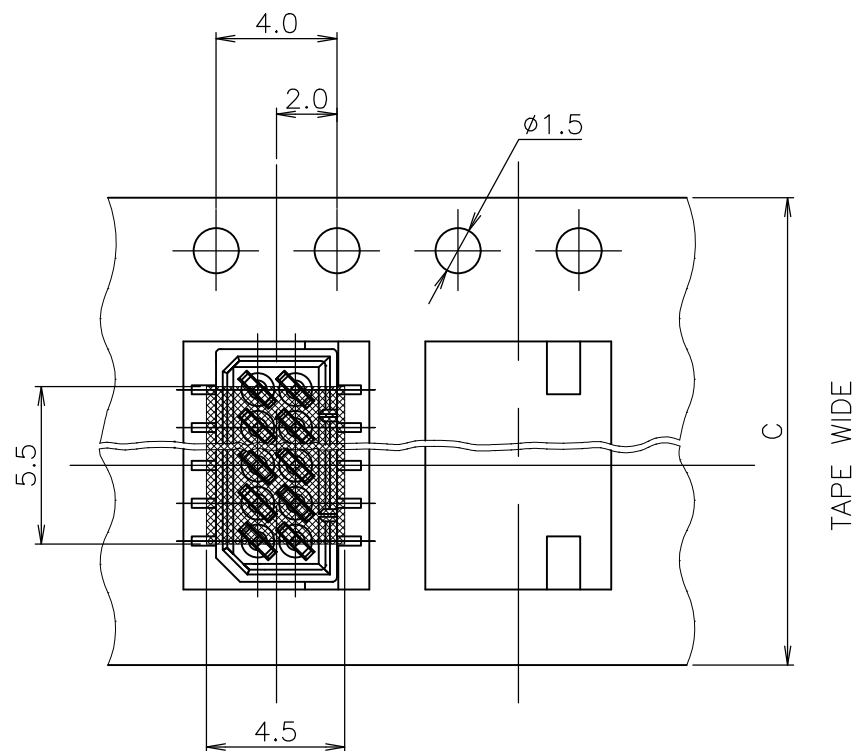
RELEASED FOR PUBLICATION

REVISIONS

© COPYRIGHT By -

ALL RIGHTS RESERVED.

P	LTR	DESCRIPTION	DATE	DWN	APVD
-	-	SEE SHEET 1	-	-	-



TOP OF REEL



29	26	600	12	24	1000	16	720999-9	4-	-6	9-	-6
21	18	300	8	24	1500	14	2-720999-2	4-174904-4		4-175630-4	
W <sub>2</sub>	W <sub>1</sub>	M	P	C	QTY/REEL	Pos.	EMBOSS TAPE P/N	CONNECTOR P/N		SALABLE TAPING P/N	

THIS DRAWING IS A CONTROLLED DOCUMENT.		DWN J.TANIGAWA 28MAY88	<b>STE</b> TE Connectivity			
DIMENSIONS: mm		CHK S.KIKUCHI 30MAY88				
TOLERANCES UNLESS OTHERWISE SPECIFIED:		APVD N.ONOUE 30MAY88	NAME ON TAPING (EMBOSS) 1.25 F-P CONNECTOR B-TO-B DOUBLE ROW REC HDR ASS'Y (V) SMT TYPE WITHOUT BOSS, W/CAP			
0 PLC ±		PRODUCT SPEC	SIZE	CAGE CODE	DRAWING NO	RESTRICTED TO
1 PLC ±		APPLICATION SPEC	A3 00779		C-175630	-
2 PLC ±		WEIGHT	CUSTOMER DRAWING			
3 PLC ±		SCALE NON				SHEET 2 OF 2
4 PLC ±		REV H				
ANGLES ±						
FINISH						

# Mouser Electronics

Authorized Distributor

Click to View Pricing, Inventory, Delivery & Lifecycle Information:

[TE Connectivity:](#)

[4-175630-2](#)