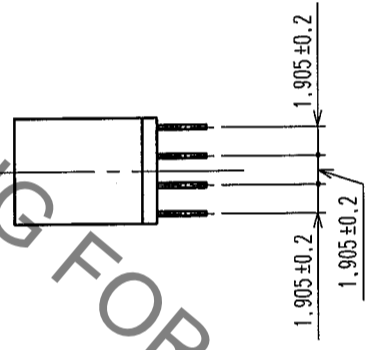
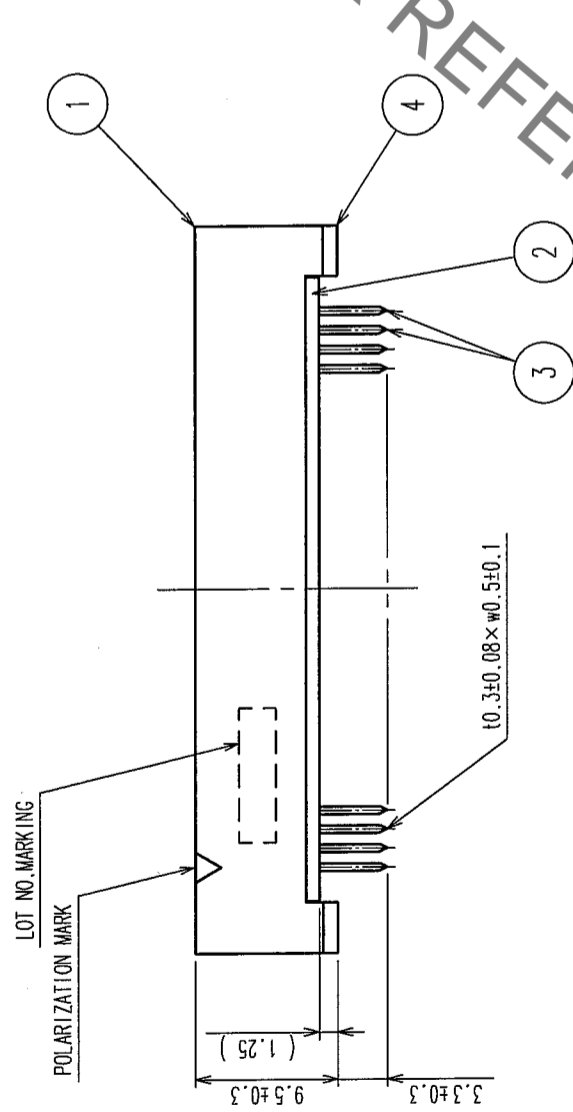
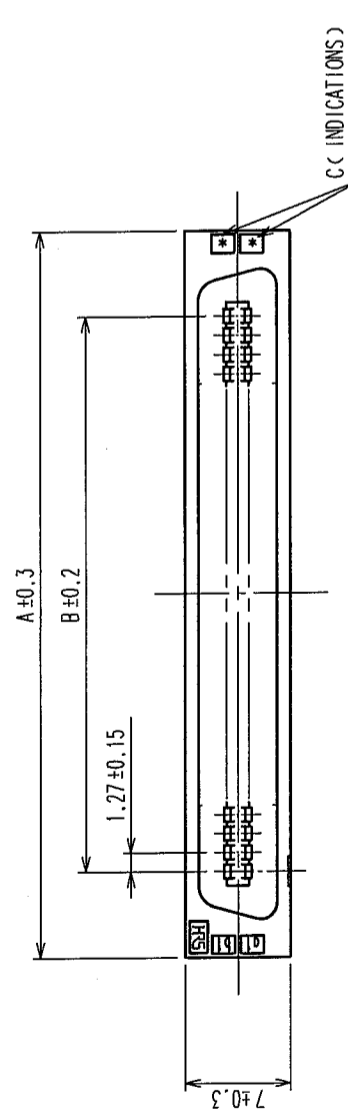
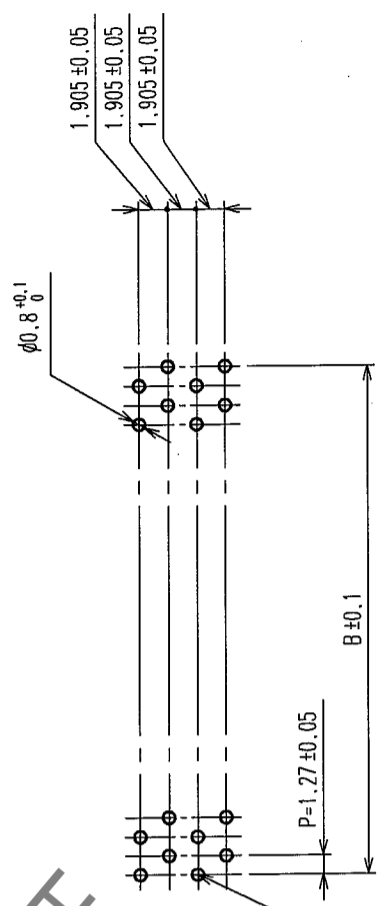


Oct.1.2020 Copyright 2020 HIROSE ELECTRIC CO., LTD. All Rights Reserved.
 In case of consideration for using Automotive equipment / device which demand high reliability, kindly contact our sales window correspondents.

COUNT	DESCRIPTION OF REVISIONS	BY	CHKD	DATE	COUNT	DESCRIPTION OF REVISIONS	BY	CHKD	DATE
△					△				
△					△				
△					△				



RECOMMEND PC BOARD HOLE PATTERN (MOUNTING SIDE)
 $t=1.6$



PART No.	CODE No.	A	B	C
FX2C1-20P-1.27DSA(71)	CL572-2211-1-71	20	22.75	11.43
FX2C1-32P-1.27DSA(71)	CL572-2212-4-71	32	30.37	19.05
FX2C1-40P-1.27DSA(71)	CL572-2213-7-71	40	35.45	24.13
FX2C1-52P-1.27DSA(71)	CL572-2214-0-71	52	43.07	31.75
FX2C1-60P-1.27DSA(71)	CL572-2215-2-71	60	48.15	36.83
FX2C1-68P-1.27DSA(71)	CL572-2216-5-71	68	53.23	41.91
FX2C1-80P-1.27DSA(71)	CL572-2217-8-71	80	60.85	49.53
FX2C1-100P-1.27DSA(71)	CL572-2218-0-71	100	73.55	62.23
FX2C1-120P-1.27DSA(71)	CL572-2219-3-71	120	86.25	74.93

NOTES 1. THE DIMENSIONS IN PARENTHESES ARE FOR REFERENCE.
 2. NUMBER OF PIN.

NO.	MATERIAL	FINISH, REMARKS	NO.	MATERIAL	FINISH, REMARKS
4	POLYAMIDE	BLACK	3	PHOSPHOR BRONZE	
1,2	POLYAMIDE	BLACK			

CODE NO. (OLD)	CL	DRAWN	DESIGNED	CHECKED	APPROVED	RELEASED
		I. OKAYAMA	K. NAKAMURA	H. OKAWA	H. OKAWA	
		04.06.02	04.06.02	04.06.09	04.06.09	

DRAWING NO.	PART NO.
EDC3-083047-21	FX2C1-**-P-1.27DSA(71)

CONTACT AREA:	CONTACT AREA:
GOLD 0.2μ m min	
DIP AREA: TIN-PLATING 2μ m min	
UNDER PLATING: NICKEL 2μ m min	

TO	
PCK	