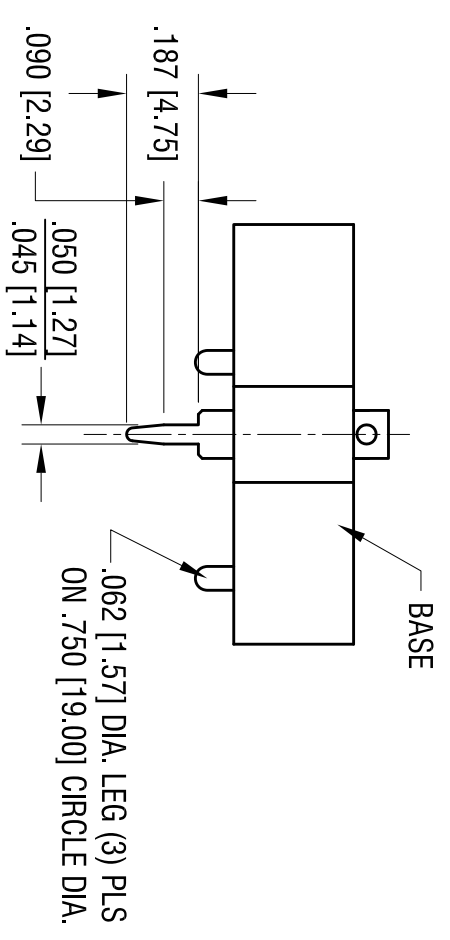
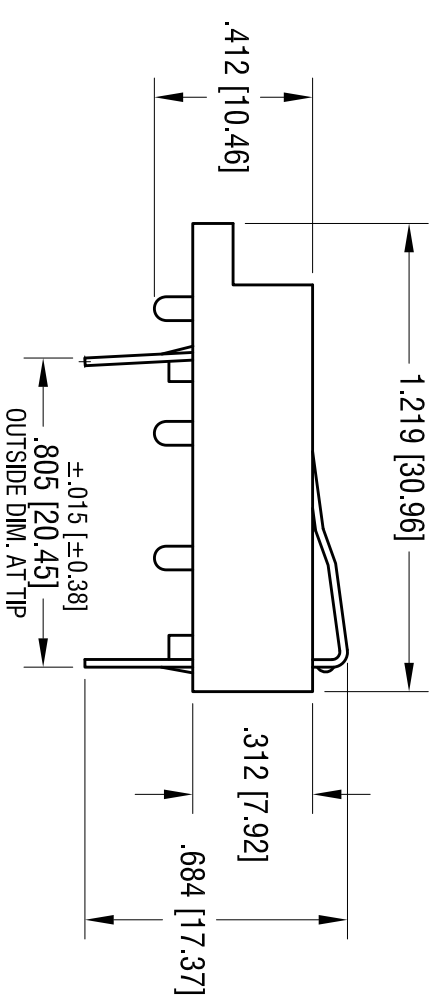
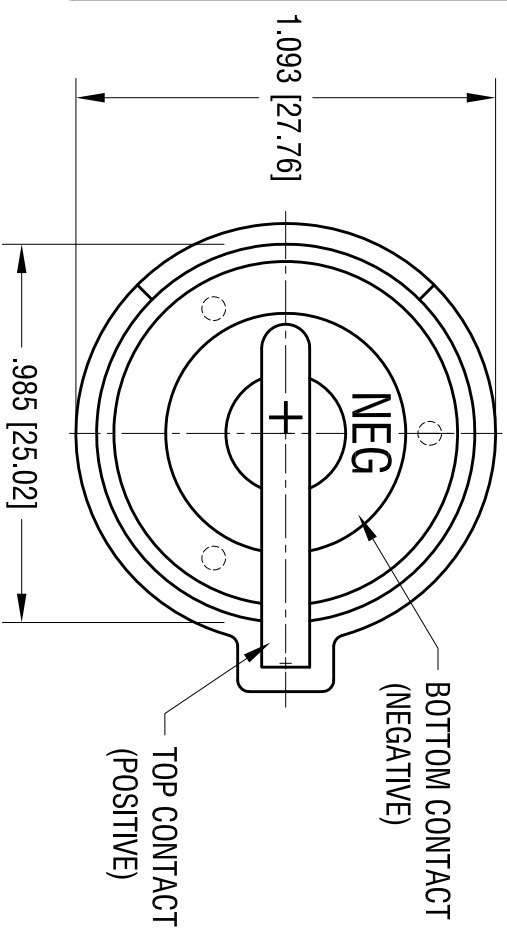
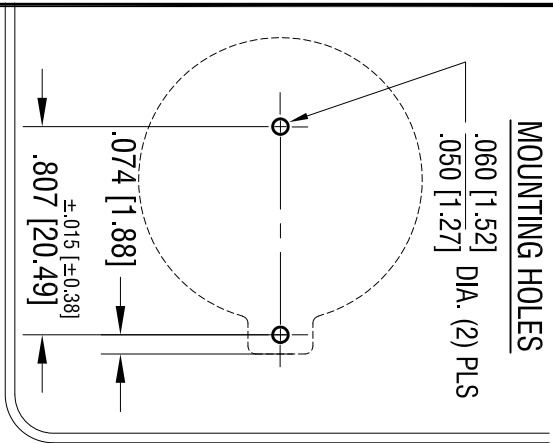


MOUNTING HOLES



DATE	DESCRIPTION	REV.
9.20.04	CHANGE AS PER ECN 04-118	B
2.27.12	CHANGE AS PER ECN 12-025	C

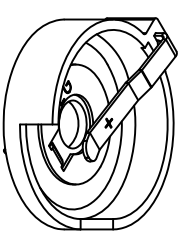
KEYSTONE ELECTRONICS CORP.

www.keystec.com • ASTORIA, N.Y. 11105-2017 • Tel (718) 956-8900

PART NAME: COIN CELL PC BATTERY HOLDER
 MATERIAL: AS NOTED

FINISH: AS NOTED

TOLERANCES	INCH	[MM]	CODE	DWG NO.
DECIMAL	± .010	[± 0.25]	C	1025-7
ANGULAR	± 1°			



ACTUAL SIZE

THIS DOCUMENT IS THE PROPERTY OF KEYSTONE ELECTRONICS CORP. AND SHALL NOT BE REPRODUCED, DISTRIBUTED OR USED AS A BASIS FOR MANUFACTURE WITHOUT PRIOR WRITTEN PERMISSION FROM KEYSTONE ELECTRONICS CORP.

- NOTES:
1. BASE: MAT'L - PBT (UL 94V-0), COLOR BLACK
 2. CONTACTS (TOP AND BOTTOM): MAT'L - .020 [0.50] THK SPRING STEEL
FINISH: TIN NICKEL PLATE

Mouser Electronics

Authorized Distributor

Click to View Pricing, Inventory, Delivery & Lifecycle Information:

[Keystone Electronics:](#)

[1025-7](#)