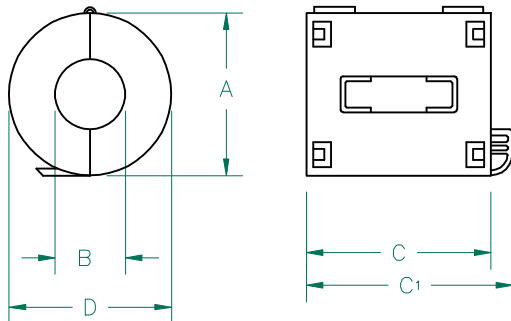


CORE DIMENSIONS:

A	26.00 [1.024]	±	0.40 [.016]
B	13.00 [.512]	±	0.25 [.010]
C	29.00 [1.142]	±	0.50 [.020]
D	13.00 [.512]	±	0.20 [.008]
E	6.50 [.256]	±	0.20 [.008]
F	7.00 [.276]	±	0.20 [.008]

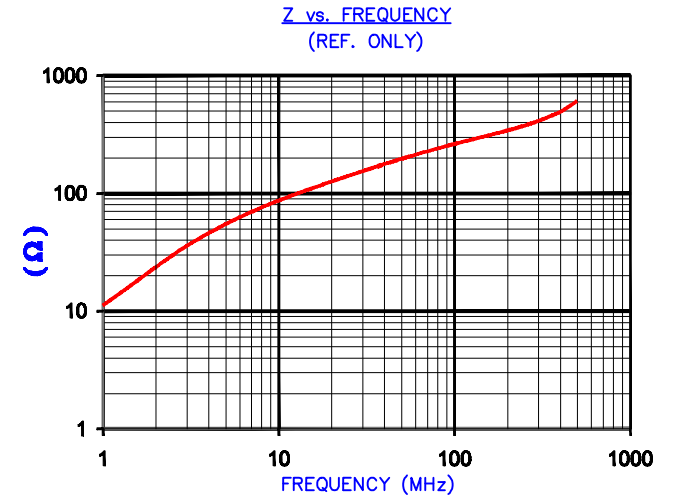


CASE DIMENSIONS:

A	30.00 [1.181]	±	REF.
B	13.00 [.512]	±	REF.
C	33.70 [1.327]	±	REF.
C1	38.90 [1.531]	±	REF.
D	30.00 [1.181]	±	REF.

UNCONTROLLED DOCUMENT

IMPEDANCE (Z)			
Frequency	25 MHz	100 MHz	300 MHz
Nominal (REF)	150 Ω	260 Ω	410 Ω
Minimum	- Ω	208 Ω	- Ω



AGILENT E4991A Impedance/Material Analyzer
HP 16092A-Test Fixture, REF #3399

NOTES:

1. CASE FLAMMABILITY RATING: UL94 V-0
2. ASSEMBLED PART #: 28A3851-0A2
3. CASE COLOR: -0A2 BLACK CASE.

DIMENSIONS ARE IN mm [INCHES].				This print is the property of Laird Tech. and is loaned in confidence subject to return upon request and with the understanding that no copies shall be made without the written consent of Laird Tech. All rights to design or invention are reserved.			
J	REVISE NOTES ADD UL94 V-0 FLAMMABILITY UPDATE COMPANY LOGO	05/05/08	TMB				
H	UPDATE Z SPECS	06/27/07	JRK				
G	UPDATE COMPANY LOGO	04/19/07	TMB				
F	REMOVE (SPEC) mm [in] FROM CORE & CASE DIMENSION VIEWS REMOVE CORE & CASE P/Ns FROM VIEWS UPDATE NOTES	03/21/07	TMB	PROJECT/PART NUMBER: 28A3851-0A2	REV J	PART TYPE: FERRITE SNAP-ON	DRAWN BY: JRK
E	CHG P/N FROM 0A*, UPDATE Z SPECS & NOTES	06/29/04	JRK	DATE: 06/29/04	SCALE: NTS	MATERIAL: NiZn FERRITE	
REV	DESCRIPTION	DATE	INT	CAD # 28A3851-0A2-J	TOOL # -		

Mouser Electronics

Authorized Distributor

Click to View Pricing, Inventory, Delivery & Lifecycle Information:

Laird:

[28A3851-0A2](#)