

**PLEASE CHECK WWW.MOLEX.COM FOR LATEST PART INFORMATION**

**Part Number:** [0622030032](#)  
**Status:** **Active**  
**Overview:** [Application Tooling](#)  
**Description:** CXP Press-In Tool

**Documents:**

[RoHS Certificate of Compliance \(PDF\)](#)

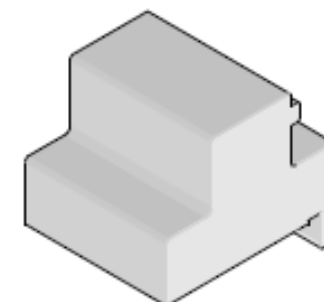
**General**

Product Family	Application Tooling
Series	<a href="#">207123</a>
Comments	See Tooling Specification (PDF) Above, See Tooling Specification (PDF) Above
Function	Insertion
Geographic Area	Global
Level of Automation	Manual
More Detailed Tech Information	<a href="mailto:applicationtooling@molex.com">applicationtooling@molex.com</a>
Overview	<a href="#">Application Tooling</a>
Product Name	iPass
Tool Type	Press-Fit Insertion Tool
UPC	887191422213
Warranty Disclaimer	CAUTION: Molex tooling crimp specifications are valid only when used with Molex terminals and tooling manufactured by Molex and sold by Molex or authorized distributors ("Molex Tooling"). When using tooling other than Molex Tooling with Molex specific connector systems listed in our ATS documents, the Molex tooling qualification does not apply and the responsibility for full qualification of the connector system is that of the customer. Molex accepts no liability for connector performance or tooling support where tooling other than Molex Tooling is used or where Molex Tooling is modified.

**Material Info**

**Reference - Drawing Numbers**  
[Application Tooling Documents](#)

ATS-622030032



*Series image - Reference only*

**EU ELV**

**Not Relevant**

**EU RoHS**

**Compliant**

**REACH SVHC**

Not Contained Per  
-ED/01/2018 (15  
January 2018)

**Halogen-Free**

**Status**

**Not Relevant**

For more information, please visit [Contact US](#)

China ROHS

Not Relevant

ELV

Not Relevant

RoHS Phthalates

Not Contained

**Search Parts in this Series**

[207123 Series](#)

**Use With**

iPass+ HSC CXP and iPass+ CXP-EF, 0.80mm (.031") Pitch, External Application, Integrated Cage and Connector Assembly, Right Angle, Press-Fit, 84 Circuit [76105](#) , [170465](#) , [170501](#)

**Application Tooling** | [FAQ](#)

<b>Description</b>	<b>Product #</b>
--------------------	------------------

1.57mm Diameter, Standard .062" Pin and Socket Crimp Terminal, Female, with Tin (Sn) Plated Brass Contact, 18-24 AWG, Reel	<a href="#">2061101</a>
--	-------------------------

1.57mm Diameter, Standard .062" Pin and Socket Crimp Terminal, Female, with Tin (Sn) Plated	<a href="#">2061103</a>
---	-------------------------

Brass Contact, 18-24  
AWG, Bag  
1.57mm Diameter, 2061104  
Standard .062" Pin  
and Socket Crimp  
Terminal, Series  
4529, Female, with  
Tin (Sn) Plated  
Phosphor Bronze  
Contact, 18-24 AWG,  
Reel  
1.57mm Diameter, 2061118  
Standard .062" Pin  
and Socket Crimp  
Terminal, Series  
1561, Female, with  
Tin (Sn) Plated Brass  
Contact, Without  
Locking Tabs,  
18-24 AWG, Reel  
Packaged  
1.57mm Diameter, 2061131  
Standard .062" Pin  
and Socket Crimp  
Terminal, Series  
1855, Female, with  
Tin (Sn) Plated Brass  
Contact, 24-30 AWG,  
Reel  
1.57mm Diameter, 2061132  
Standard .062" Pin  
and Socket Crimp  
Terminal, Series  
1855, Female, with  
Tin (Sn) Plated Brass  
Contact, 24-30 AWG,  
Bag  
1.57mm Diameter, 2061141  
Standard .062" Pin  
and Socket Crimp  
Terminal, Series  
1855, Female, with  
Tin (Sn) Plated  
Brass Contact,  
24-30 AWG, Without  
Locking Tabs, Reel  
Packaged  
1.57mm Diameter, 2061143  
Standard .062" Pin  
and Socket Crimp  
Terminal, Series  
1855, Female, with  
Tin (Sn) Plated Brass  
Contact, 24-30 AWG,  
Reel Packaged with  
Interleaf Paper  
1.57mm Diameter, 2062101  
Standard .062" Pin  
and Socket Crimp  
Terminal, Series  
1560, Male, with Tin  
(Sn) Plated Brass  
Contact, 18-24 AWG,  
Reel

1.57mm Diameter, [2062103](#)  
Standard .062" Pin  
and Socket Crimp  
Terminal, Series  
1560, Male, with Tin  
(Sn) Plated Brass  
Contact, 18-24 AWG,  
Bag

1.57mm Diameter, [2062131](#)  
Standard .062" Pin  
and Socket Crimp  
Terminal, Series  
1854, Male, with Tin  
(Sn) Plated Brass  
Contact, 24-30 AWG,  
Reel

1.57mm Diameter, [2062132](#)  
Standard .062" Pin  
and Socket Crimp  
Terminal, Series  
1854, Male, with Tin  
(Sn) Plated Brass  
Contact, 24-30 AWG,  
Bag

1.57mm Diameter, [2065100](#)  
Standard .062" Pin  
and Socket Crimp  
Terminal, Female,  
with 0.38 $\mu$ m Gold  
(Au) Plated Brass  
Contact, 18-24 AWG,  
Reel

1.57mm Diameter, [2065101](#)  
Standard .062" Pin  
and Socket Crimp  
Terminal, Female,  
with 0.76 $\mu$ m Gold  
(Au) Plated Brass  
Contact, 18-24 AWG,  
Reel

1.57mm Diameter, [2065102](#)  
Standard .062" Pin  
and Socket Crimp  
Terminal, Female,  
with 0.76 $\mu$ m Gold  
(Au) Plated Brass  
Contact, 18-24 AWG,  
Bag

1.57mm Diameter, [2065103](#)  
Standard .062" Pin  
and Socket Crimp  
Terminal, Female,  
with 0.38 $\mu$ m Gold  
(Au) Plated Brass  
Contact, 18-24 AWG,  
Bag

1.57mm Diameter, [2065104](#)  
Standard .062" Pin  
and Socket Crimp  
Terminal, Series  
1561, Female,  
with 1.27 $\mu$ m Gold  
Max. Insulation  
Diameter, Loose in  
Bag Packaged

1.57mm Diameter, [2065105](#)  
Standard .062" Pin  
and Socket Crimp  
Terminal, Series  
1561, Female, with  
1.27µm Gold Max.  
Insulation Diameter,  
Reel

1.57mm Diameter, [2065108](#)  
Standard .062" Pin  
and Socket Crimp  
Terminal, Female,  
with Selective Gold  
(Au) Plated Brass  
Contact, 18-24 AWG,  
Reel

1.57mm Diameter, [2065109](#)  
Standard .062" Pin  
and Socket Crimp  
Terminal, Female,  
with Selective Gold  
(Au) Plated Brass  
Contact, 18-24 AWG,  
Bag

1.57mm Diameter, [2065130](#)  
Standard .062" Pin  
and Socket Crimp  
Terminal, Series  
1855, Female,  
with 0.38µm Gold  
(Au) Plated Brass  
Contact, 24-30 AWG,  
Reel

1.57mm Diameter, [2065135](#)  
Standard .062" Pin  
and Socket Crimp  
Terminal, Series  
1855, Female,  
with 0.38µm Gold  
(Au) Plated Brass  
Contact, 24-30 AWG,  
Bag

1.57mm Diameter, [2065138](#)  
Standard .062" Pin  
and Socket Crimp  
Terminal, Series  
1855, Female,  
with 0.76µm Gold  
(Au) Plated Brass  
Contact, 24-30 AWG,  
Reel

1.57mm Diameter, [2065139](#)  
Standard .062" Pin  
and Socket Crimp  
Terminal, Series  
1855, Female,  
with 0.76µm Gold  
(Au) Plated Brass  
Contact, 24-30 AWG,  
Bag

1.57mm Diameter, [2065147](#)  
Standard .062" Pin  
and Socket Crimp  
Terminal, Series  
1855, Female, with

Selective Gold  
(Au) Plated Brass  
Contact, 24-30 AWG,  
Reel  
1.57mm Diameter, 2065148  
Standard .062" Pin  
and Socket Crimp  
Terminal, Series  
1855, Female, with  
Selective Gold  
(Au) Plated Brass  
Contact, 24-30 AWG,  
Bag  
1.57mm Diameter, 2066100  
Standard .062" Pin  
and Socket Crimp  
Terminal, Series  
1560, Male, with  
Gold (Au) Plated  
Brass Contact, 18-24  
AWG, Reel  
1.57mm Diameter, 2066101  
Standard .062"  
Pin and Socket  
Crimp Terminal,  
Series 1560, Male,  
with .76µm Selective  
Gold (Au) Plated  
Brass Contact,  
18-24 AWG, Reel  
Packaged  
1.57mm Diameter, 2066102  
Standard .062"  
Pin and Socket  
Crimp Terminal,  
Series 1560, Male,  
with .76µm Selective  
Gold (Au) Plated  
Brass Contact, 18-24  
AWG, Bag Packaged  
1.57mm Diameter, 2066103  
Standard .062" Pin  
and Socket Crimp  
Terminal, Series  
1560, Male, with  
Gold (Au) Plated  
Brass Contact, 18-24  
AWG, Bag  
1.57mm Diameter, 2066104  
Standard .062"  
Pin and Socket  
Crimp Terminal,  
Series 1560, Male,  
with Selective  
1.27µm Select Gold  
(Au) Plated Brass  
Contact, 18-24 AWG,  
Bag Packaged  
1.57mm Diameter, 2066118  
Standard .062" Pin  
and Socket Crimp  
Terminal, Series  
1560, Male, with  
Selective Gold  
(Au) Plated Brass

Contact, Tin/Lead  
Plated Crimp Area,  
18-24 AWG, Reel  
1.57mm Diameter, 2066119  
Standard .062" Pin  
and Socket Crimp  
Terminal, Series  
1560, Male, with  
Selective Gold  
(Au) Plated Brass  
Contact, Tin/Lead  
Plated Crimp Area,  
18-24 AWG, Bag  
1.57mm Diameter, 2066122  
Standard .062"  
Pin and Socket  
PC Tail Terminal,  
Series 1778, Male,  
with Selective Gold  
(Au) Plated Brass  
Contact, Bag  
1.57mm Diameter, 2066130  
Standard .062" Pin  
and Socket Crimp  
Terminal, Series  
1854, Male, with  
Gold (Au) Plated  
Brass Contact, 24-30  
AWG, Reel  
1.57mm Diameter, 2066135  
Standard .062" Pin  
and Socket Crimp  
Terminal, Series  
1854, Male, with  
Gold (Au) Plated  
Brass Contact, 24-30  
AWG, Bag  
1.57mm Diameter, 2066138  
Standard .062" Pin  
and Socket Crimp  
Terminal, Series  
1854, Male, with  
Selective Gold  
(Au) Plated Brass  
Contact, 24-30 AWG,  
Reel  
1.57mm Diameter, 2066139  
Standard .062" Pin  
and Socket Crimp  
Terminal, Series  
1854, Male, with  
Selective Gold  
(Au) Plated Brass  
Contact, 24-30 AWG,  
Bag  
1.57mm Diameter, 2066143  
Standard .062" Pin  
and Socket Crimp  
Terminal, Series  
1854, Male, with  
Selective Gold  
(Au) Plated Brass  
Contact, Tin (Sn)  
Plated Crimp Area,  
24-30 AWG, Reel

1.57mm Diameter, [2066144](#)  
Standard .062" Pin  
and Socket Crimp  
Terminal, Series  
1854, Male, with  
Selective Gold  
(Au) Plated Brass  
Contact, Tin (Sn)  
Plated Crimp Area,  
24-30 AWG, Bag

1.57mm Diameter, [2067103](#)  
Standard .062" Pin  
and Socket PC Tail  
Terminal, Series  
1779, Female,  
with 2.54µm Tin  
(Sn) Plated Brass  
Contact, Bag  
Packaged

1.57mm Diameter, [2067104](#)  
Standard .062" Pin  
and Socket PC Tail  
Terminal, Series  
1779, Female,  
with .76µm Selective  
Gold (Au) Plated  
Brass Contact, Bag  
Packaged

1.57mm Diameter, [2068103](#)  
Standard .062" Pin  
and Socket PC Tail  
Terminal, Series  
1778, Male, with Tin  
(Sn) Plated Brass  
Contact, Bag  
MLX Crimp Terminal [2082008](#)  
42023, 14-20 AWG,  
Bag Selective Gold  
(Au)

2.36mm Diameter, [2091102](#)  
Standard .093" Pin  
and Socket Crimp  
Terminal, Series  
1189, Female, with  
Tin (Sn) Plated Brass  
Contact, 14-20 AWG,  
Reel

2.36mm Diameter, [2091104](#)  
Standard .093" Pin  
and Socket Crimp  
Terminal, Series  
1189, Female, with  
Tin (Sn) Plated Brass  
Contact, 14-20 AWG,  
Bag

2.36mm Diameter, [2091117](#)  
Standard .093" Pin  
and Socket Crimp  
Terminal, Series  
1381, Female, with  
Tin (Sn) Plated Brass  
Contact, 18-22 AWG,  
Reel

2.36mm Diameter, [2091119](#)  
Standard .093" Pin

and Socket Crimp  
Terminal, Series  
1381, Female, with  
Tin (Sn) Plated Brass  
Contact, 18-22 AWG,  
Bag

2.36mm Diameter, 2091122

Standard .093" Pin  
and Socket Crimp  
Terminal, Series  
2273, Female, with  
Tin (Sn) Plated  
Contact, Low  
Engagement Force,  
18-22 AWG, Reel

2.36mm Diameter, 2091123

Standard .093" Pin  
and Socket Crimp  
Terminal, Series  
2273, Female, with  
Tin (Sn) Plated  
Contact, Low  
Engagement Force,  
18-22 AWG, Bag

2.36mm Diameter, 2091134

Standard .093" Pin  
and Socket PC Tail  
Terminal, Series  
1377, Female, with  
Tin (Sn) Plated  
Contact, Bag

2.36mm Diameter, 2091155

Standard .093" Pin  
and Socket Crimp  
Terminal, Series  
41483, Female, with  
Tin (Sn) Plated Brass  
Contact, 14-18 AWG  
with Large Insulation  
Diameter, Chain

2.36mm Diameter, 2091205

Standard .093" Pin  
and Socket Crimp  
Terminal, Series  
4550, Female, with  
Tin (Sn) Plated  
Phosphor Bronze  
Contact, 14-20 AWG,  
Reel

2.36mm Diameter, 2091206

Standard .093" Pin  
and Socket Crimp  
Terminal, Series  
4550, Female, with  
Tin (Sn) Plated  
Phosphor Bronze  
Contact, 14-20 AWG,  
Bag

2.36mm Diameter, 2091615

Standard .093"  
Pin and Socket  
Crimp Terminal,  
Series 42477,  
Female, with Tin  
(Sn) Plated Contact,



High Current/Low  
Engagement Force,  
14-18 AWG, Reel  
2.36mm Diameter, 2092101  
Standard .093" Pin  
and Socket Crimp  
Terminal, Series  
1190, Male, with Tin  
(Sn) Plated Brass  
Contact, 14-20 AWG,  
Reel  
2.36mm Diameter, 2092103  
Standard .093" Pin  
and Socket Crimp  
Terminal, Series  
1190, Male, with Tin  
(Sn) Plated Brass  
Contact, 14-20 AWG,  
Bag  
2.36mm Diameter, 2092116  
Standard .093" Pin  
and Socket Crimp  
Terminal, Series  
1380, Male, with Tin  
(Sn) Plated Brass  
Contact, 18-22 AWG,  
Reel  
2.36mm Diameter, 2092117  
Standard .093" Pin  
and Socket Crimp  
Terminal, Series  
1380, Male, with Tin  
(Sn) Plated Brass  
Contact, without  
Dents, 18-22 AWG,  
Reel  
2.36mm Diameter, 2092118  
Standard .093" Pin  
and Socket Crimp  
Terminal, Series  
1380, Male, with Tin  
(Sn) Plated Brass  
Contact, 18-22 AWG,  
Bag  
2.36mm Diameter, 2092133  
Standard .093" Pin  
and Socket PC Tail  
Terminal, Series  
1376, Male, with Tin/  
Lead (Sn/Pb) Plated  
Contact, With Detent,  
Bag Packaged  
2.36mm Diameter, 2092134  
Standard .093" Pin  
and Socket PC Tail  
Terminal, Series  
1376, Male, with Tin  
(Sn) Plated Contact,  
Without Detent, Bag  
Packaged  
2.36mm Diameter, 2092166  
Standard .093" Pin  
and Socket Crimp  
Terminal, Series  
4549, Male, with

Tin (Sn) Plated  
Phosphor Bronze  
Contact, 14-20 AWG,  
Reel Packaged  
2.36mm Diameter, 2092167  
Standard .093" Pin  
and Socket Crimp  
Terminal, Series  
4549, Male, with  
Tin (Sn) Plated  
Phosphor Bronze  
Contact, 14-20 AWG,  
Bag Packaged  
2.36mm Diameter, 2092170  
Standard .093" Pin  
and Socket Crimp  
Terminal, Series  
1190, Male, with Tin  
(Sn) Plated Brass  
Contact, 14-18 AWG,  
Large Insulation  
Crimp, Reel  
2.36mm Diameter, 2092171  
Standard .093" Pin  
and Socket Crimp  
Terminal, Series  
1190, Male, with Tin  
(Sn) Plated Brass  
Contact, 14-18 AWG,  
Large Insulation  
Crimp, Bag  
2.36mm Diameter, 2092611  
Standard .093" Pin  
and Socket Crimp  
Terminal, Series  
42478, Male, with Tin  
(Sn) Plated Contact,  
High Current/Low  
Engagement Force,  
14-18 AWG, Reel  
2.36mm Diameter, 2095100  
Standard .093" Pin  
and Socket Crimp  
Terminal, Series  
1189, Female, with  
Gold (Au) Plated  
Brass Contact, 14-20  
AWG, Reel  
2.36mm Diameter, 2095101  
Standard .093" Pin  
and Socket Crimp  
Terminal, Series  
1190, Male, with Tin  
(Sn) Plated Brass  
Contact, 14-20 AWG,  
Chain  
2.36mm Diameter, 2095102  
Standard .093" Pin  
and Socket Crimp  
Terminal, Series  
1189, Female, with  
Selective Gold  
(Au) Plated Brass  
Contact, 14-20 AWG,  
Reel

2.36mm Diameter, [2095106](#)  
Standard .093" Pin  
and Socket Crimp  
Terminal, Series  
1189, Female, with  
Gold (Au) Plated  
Brass Contact, 14-20  
AWG, Bag

2.36mm Diameter, [2095111](#)  
Standard .093" Pin  
and Socket Crimp  
Terminal, Series  
1189, Female, with  
Selective Gold  
(Au) Plated Brass  
Contact, 14-20 AWG,  
Bag

2.36mm Diameter, [2095130](#)  
Standard .093" Pin  
and Socket Crimp  
Terminal, Series  
1381, Female, with  
Selective Gold  
(Au) Plated Brass  
Contact, 18-22 AWG,  
Reel

2.36mm Diameter, [2095132](#)  
Standard .093" Pin  
and Socket PC Tail  
Terminal, Series  
1377, Female, with  
Gold (Au) Plated  
Contact, Bag

2.36mm Diameter, [2095133](#)  
Standard .093" Pin  
and Socket Crimp  
Terminal, Series  
1381, Female, with  
Selective Gold  
(Au) Plated Brass  
Contact, 18-22 AWG,  
Bag

2.36mm Diameter, [2095142](#)  
Standard .093" Pin  
and Socket Crimp  
Terminal, Series  
1381, Female, with  
Gold (Au) Plated  
Brass Contact, 18-22  
AWG, Bag

2.36mm Diameter, [2095143](#)  
Standard .093" Pin  
and Socket Crimp  
Terminal, Series  
1381, Female, with  
Gold (Au) Plated  
Brass Contact, 18-22  
AWG, Reel

2.36mm Diameter, [2095169](#)  
Standard .093" Pin  
and Socket Crimp  
Terminal, Series  
4550, Female, with  
Gold (Au) Plated  
Phosphor Bronze

Contact, 14-20 AWG,  
Reel  
2.36mm Diameter, 2095170  
Standard .093" Pin  
and Socket Crimp  
Terminal, Series  
4550, Female, with  
Gold (Au) Plated  
Phosphor Bronze  
Contact, 14-20 AWG,  
Bag  
2.36mm Diameter, 2096100  
Standard .093" Pin  
and Socket Crimp  
Terminal, Series  
1190, Male, with  
Gold (Au) Plated  
Brass Contact, 14-20  
AWG, Reel  
2.36mm Diameter, 2096101  
Standard .093" Pin  
and Socket Crimp  
Terminal, Series  
1190, Male, with  
Selective Gold  
(Au) Plated Brass  
Contact, 14-20 AWG,  
Reel  
2.36mm Diameter, 2096102  
Standard .093" Pin  
and Socket Crimp  
Terminal, Series  
1189, Female, with  
Tin (Sn) Plated Brass  
Contact, 14-20 AWG,  
Reel  
2.36mm Diameter, 2096106  
Standard .093" Pin  
and Socket Crimp  
Terminal, Series  
1190, Male, with  
Gold (Au) Plated  
Brass Contact, 14-20  
AWG, Bag  
2.36mm Diameter, 2096110  
Standard .093" Pin  
and Socket Crimp  
Terminal, Series  
1190, Male, with  
Selective Gold  
(Au) Plated Brass  
Contact, 14-20 AWG,  
Bag  
2.36mm Diameter, 2096122  
Standard .093" Pin  
and Socket Crimp  
Terminal, Series  
1380, Male, with  
Gold (Au) Plated  
Brass Contact, 18-22  
AWG, Reel  
2.36mm Diameter, 2096123  
Standard .093" Pin  
and Socket Crimp  
Terminal, Series

1380, Male, with  
Gold (Au) Plated  
Brass Contact, 18-22  
AWG, Bag  
2.36mm Diameter, 2096125  
Standard .093" Pin  
and Socket Crimp  
Terminal, Series  
1380, Male, with  
Selective Gold  
(Au) Plated Brass  
Contact, 18-22 AWG,  
Reel  
2.36mm Diameter, 2096126  
Standard .093" Pin  
and Socket Crimp  
Terminal, Series  
1380, Male, with  
Selective Gold  
(Au) Plated Brass  
Contact, 18-22 AWG,  
Bag  
2.36mm Diameter, 2096132  
Standard .093"  
Pin and Socket  
PC Tail Terminal,  
Series 1376, Male,  
with Gold (Au)  
Plated Contact,  
Without Detent, Bag  
Packaged  
2.36mm Diameter, 2098103  
Standard .093" Pin  
and Socket Crimp  
Grounding Terminal,  
Series 1973, Male,  
with Tin (Sn) Plated  
Brass Contact, 18-22  
AWG, Reel  
2.36mm Diameter, 2098104  
Standard .093" Pin  
and Socket Crimp  
Grounding Terminal,  
Series 1973, Male,  
with Tin (Sn) Plated  
Brass Contact, 18-22  
AWG, Bag  
2.36mm Diameter, 2098108  
Standard .093" Pin  
and Socket Crimp  
Grounding Terminal,  
Series 1973, Male,  
with Tin (Sn) Plated  
Brass Contact, 14-18  
AWG, Reel  
2.36mm Diameter, 2098109  
Standard .093" Pin  
and Socket Crimp  
Grounding Terminal,  
Series 1973, Male,  
with Tin (Sn) Plated  
Brass Contact, 14-18  
AWG, Bag  
Mini-Fit Jr. 3044052  
Receptacle Housing,

Single Row, 5  
Circuits, UL 94V-2,  
Natural  
1.57mm Diameter    3061011  
Standard .062"  
Pin and Socket  
Receptacle Housing,  
1 Circuits, Natural  
1.57mm Diameter    3061022  
Standard .062"  
Pin and Socket  
Receptacle Housing,  
2 Circuits, with Pre-  
bent Mounting Ears,  
Natural  
1.57mm Diameter    3061023  
Standard .062"  
Pin and Socket  
Receptacle Housing,  
2 Circuits, without  
Mounting Ears,  
Natural  
1.57mm Diameter    3061031  
Standard .062"  
Pin and Socket  
Receptacle Housing,  
3 Circuits, with  
Standard Mounting  
Ears  
1.57mm Diameter    3061032  
Standard .062"  
Pin and Socket  
Receptacle Housing,  
3 Circuits, without  
Mounting Ears,  
Natural  
1.57mm Diameter    3061038  
Standard .062"  
Pin and Socket  
Receptacle Housing,  
3 Circuits, with Pre-  
bent Mounting Ears,  
Natural  
1.57mm Diameter    3061041  
Standard .062"  
Pin and Socket  
Receptacle Housing,  
4 Circuits, with  
Standard Mounting  
Ears  
1.57mm Diameter    3061042  
Standard .062"  
Pin and Socket  
Receptacle Housing,  
4 Circuits, without  
Mounting Ears,  
Natural  
1.57mm Diameter    3061044  
Standard .062"  
Pin and Socket  
Receptacle Housing,  
Dual Row, without  
Mounting Ears, PA  
Polyamide Nylon 6/6,

UL 94V-2, 4 Circuits,  
Natural  
1.57mm Diameter 3061062  
Standard .062"  
Pin and Socket  
Receptacle Housing,  
6 Circuits, without  
Mounting Ears,  
Natural  
1.57mm Diameter 3061092  
Standard .062"  
Pin and Socket  
Receptacle Housing,  
9 Circuits, without  
Mounting Ears,  
Natural  
1.57mm Diameter 3061121  
Standard .062"  
Pin and Socket  
Receptacle Housing,  
12 Circuits, with  
Standard Mounting  
Ears, Natural  
1.57mm Diameter 3061122  
Standard .062"  
Pin and Socket  
Receptacle Housing,  
12 Circuits, without  
Mounting Ears,  
Natural  
1.57mm Diameter 3062011  
Standard .062" Pin  
and Socket Plug  
Housing, 1 Circuits,  
Natural  
1.57mm Diameter 3062023  
Standard .062" Pin  
and Socket Plug  
Housing, 2 Circuits,  
without Mounting  
Ears, Natural  
1.57mm Diameter 3062024  
Standard .062"  
Pin and Socket  
Plug Housing, 2  
Circuits, with Pre-  
bent Mounting Ears,  
Natural  
1.57mm Diameter 3062031  
Standard .062" Pin  
and Socket Plug  
Housing, 3 Circuits,  
with Standard  
Mounting Ears,  
Natural  
1.57mm Diameter 3062032  
Standard .062" Pin  
and Socket Plug  
Housing, 3 Circuits,  
without Mounting  
Ears, Natural  
1.57mm Diameter 3062033  
Standard .062"  
Pin and Socket  
Plug Housing, 3

Circuits, with Pre-  
bent Mounting Ears,  
Natural

1.57mm Diameter     3062041  
Standard .062" Pin  
and Socket Plug  
Housing, 4 Circuits,  
with Standard  
Mounting Ears

1.57mm Diameter     3062042  
Standard .062" Pin  
and Socket Plug  
Housing, 4 Circuits,  
without Mounting  
Ears, Natural

1.57mm Diameter     3062044  
Standard .062" Pin  
and Socket Plug  
Housing, Dual Row,  
without Mounting  
Ears, PA Polyamide  
Nylon 6/6, UL 94V-2,  
4 Circuits, Natural

1.57mm Diameter     3062061  
Standard .062" Pin  
and Socket Plug  
Housing, 6 Circuits,  
without Mounting  
Ears, Natural

1.57mm Diameter     3062092  
Standard .062" Pin  
and Socket Plug  
Housing, 9 Circuits,  
without Mounting  
Ears, Natural

1.57mm Diameter     3062121  
Standard .062"  
Pin and Socket  
Plug Housing, 12  
Circuits, with Pre-  
bent Mounting Ears,  
Natural

1.57mm Diameter     3062122  
Standard .062" Pin  
and Socket Plug  
Housing, 12 Circuits,  
without Mounting  
Ears, Natural

1.57mm Diameter     3066023  
Standard .062"  
Pin and Socket  
Receptacle Housing,  
2 Circuits, without  
Mounting Ears, Black

1.57mm Diameter     3066062  
Standard .062"  
Pin and Socket  
Receptacle Housing,  
6 Circuits, without  
Mounting Ears, Black

1.57mm Diameter     3067023  
Standard .062" Pin  
and Socket Plug  
Housing, Black, 2



Circuits, without  
Mounting Ears, Black  
1.57mm Diameter 3067044  
Standard .062" Pin  
and Socket Plug  
Housing, Dual Row,  
without Mounting  
Ears, PA Polyamide  
Nylon 6/6, UL 94V-2,  
4 Circuits, Black  
1.57mm Diameter 3067061  
Standard .062" Pin  
and Socket Plug  
Housing, 6 Circuits,  
without Mounting  
Ears, Black  
2.36mm Diameter 3091011  
Standard .093"  
Pin and Socket  
Receptacle Housing,  
1 Circuit, Friction  
Lock, Natural  
2.36mm Diameter 3091022  
Standard .093"  
Pin and Socket  
Receptacle Housing,  
2 Circuits, without  
Mounting Ears, with  
Ramps, Natural  
2.36mm Diameter 3091027  
Standard .093"  
Pin and Socket  
Receptacle Housing,  
2 Circuits, with Pre-  
bent Mounting Ears,  
with Ramps, Natural  
2.36mm Diameter 3091030  
Standard Receptacle  
Housing, 3 Circuit,  
Natural  
2.36mm Diameter 3091031  
Standard .093"  
Pin and Socket  
Receptacle Housing,  
3 Circuits, Single  
Row, Natural  
2.36mm Diameter 3091032  
Standard .093"  
Pin and Socket  
Receptacle Housing,  
3 Circuits, Single  
Row, Natural  
2.36mm Diameter 3091033  
Standard .093"  
Pin and Socket  
Receptacle Housing,  
3 Circuits, Single  
Row, Free-Hanging,  
without Passive Lock  
Ramps, Natural  
2.36mm Diameter 3091041  
Standard .093"  
Pin and Socket  
Receptacle Housing,

4 Circuits, Single  
Row, Natural  
2.36mm Diameter 3091042  
Standard .093"  
Pin and Socket  
Receptacle Housing,  
4 Circuits, Single  
Row, Natural  
2.36mm Diameter 3091049  
Standard .093"  
Pin and Socket  
Receptacle Housing,  
4 Circuits, Dual Row,  
without Mounting  
Ears, Natural  
2.36mm Diameter 3091061  
Standard .093"  
Pin and Socket  
Receptacle Housing,  
6 Circuits, Dual Row,  
Natural  
2.36mm Diameter 3091062  
Standard .093"  
Pin and Socket  
Receptacle Housing,  
6 Circuits, Dual Row,  
Natural  
2.36mm Diameter 3091063  
Standard .093"  
Pin and Socket  
Receptacle Housing,  
6 Circuits, Dual Row,  
without Panel Mount  
Ears, without Friction  
Lock Ramp  
2.36mm Diameter 3091064  
Standard .093"  
Pin and Socket  
Receptacle Housing,  
6 Circuits, Dual Row,  
Natural  
2.36mm Diameter 3091081  
Standard .093"  
Pin and Socket  
Receptacle Housing,  
3 Circuits, Single  
Row, Natural  
2.36mm Diameter 3091091  
Standard .093"  
Pin and Socket  
Receptacle  
Housings, 9 Circuits,  
3 Rows, Natural  
2.36mm Diameter 3091092  
Standard .093"  
Pin and Socket  
Receptacle  
Housings, 9 Circuits,  
3 Rows, with Panel  
Mount Ears, without  
Passive Lock Ramp  
2.36mm Diameter 3091093  
Standard .093"  
Pin and Socket  
Receptacle

Housings, 9 Circuits,  
3 Rows, without  
Panel Mount Ears,  
without Passive Lock  
Ramp  
2.36mm Diameter 3091094  
Standard .093"  
Pin and Socket  
Receptacle  
Housings, 9 Circuits,  
3 Rows, Natural  
2.36mm Diameter 3091121  
Standard .093"  
Pin and Socket  
Receptacle Housing,  
12 Circuits, 3 Rows,  
Panel Mountable,  
without Passive  
Locking Ramps  
2.36mm Diameter 3091125  
Standard .093"  
Pin and Socket  
Receptacle Housing,  
12 Circuits, 3 Rows,  
Natural  
2.36mm Diameter 3091126  
Standard .093"  
Pin and Socket  
Receptacle Housing,  
12 Circuits, 3 Rows,  
Natural  
2.36mm Diameter 3091151  
Standard .093"  
Pin and Socket  
Receptacle Housing,  
15 Circuits, 3 Rows,  
with Pre-Bent  
Mounting Ears,  
without Lock Ramps  
2.36mm Diameter 3091152  
Standard .093"  
Pin and Socket  
Receptacle Housing,  
15 Circuits, 3 Rows,  
without Mounting  
Ears, without Lock  
Ramps  
2.36mm Diameter 3091153  
Standard .093"  
Pin and Socket  
Receptacle Housing,  
15 Circuits, 3 Rows,  
with Pre-bent  
Mounting Ears, with  
Lock Ramps  
2.36mm Diameter 3091157  
Standard .093"  
Pin and Socket  
Receptacle Housing,  
15 Circuits, 3 Rows,  
without Mounting  
Ears, with Lock  
Ramps  
2.36mm Diameter 3091161  
Standard .093"

Pin and Socket Receptacle Housing without Mounting Ears, Positive Lock, 2 Circuits	
2.36mm Diameter Standard .093" Pin and Socket Plug Housing, 1 Circuit, Friction Lock, Natural	<u>3092011</u>
2.36mm Diameter Standard .093" Pin and Socket Plug Housing, 2 Circuits, with Standard Mounting Ears, Natural	<u>3092021</u>
2.36mm Diameter Standard .093" Pin and Socket Plug Housing, 2 Circuits, without Mounting Ears, Natural	<u>3092022</u>
2.36mm Diameter Standard .093" Pin and Socket Plug Housing, 3 Circuits, Single Row, Natural	<u>3092031</u>
2.36mm Diameter Standard .093" Pin and Socket Plug Housing, 3 Circuits, Single Row, Natural	<u>3092032</u>
2.36mm Diameter Standard .093" Pin and Socket Plug Housing, 4 Circuits, Single Row	<u>3092041</u>
2.36mm Diameter Standard .093" Pin and Socket Plug Housing, 4 Circuits, Single Row	<u>3092042</u>
2.36mm Diameter Standard .093" Pin and Socket Plug Housing, 4 Circuits, Dual Row, without Mounting Ears, Natural	<u>3092049</u>
2.36mm Diameter Standard .093" Pin and Socket Plug Housing, 6 Circuits, Dual Row	<u>3092061</u>
2.36mm Diameter Standard .093" Pin and Socket Plug Housing, 6 Circuits, Dual Row	<u>3092062</u>
2.36mm Diameter Standard .093" Pin and Socket Plug Housings, 9 Circuits, 3 Rows	<u>3092092</u>

2.36mm Diameter Standard .093" Pin and Socket Plug Housing, 12 Circuits, 3 Rows	<u>3092121</u>
2.36mm Diameter Standard .093" Pin and Socket Plug Housing, 12 Circuits, 3 Rows	<u>3092122</u>
2.36mm Diameter Standard .093" Pin and Socket Plug Housing, 15 Circuits, 3 Rows, without Mounting Ears, with Pull Tabs, without Lock Windows	<u>3092151</u>
2.36mm Diameter Standard .093" Pin and Socket Plug Housing, 15 Circuits, 3 Rows, with Pre- Bent Mounting Ears, without Pull Tabs, with Lock Windows	<u>3092159</u>
2.36mm Diameter Standard .093" Pin and Socket Plug Housing without Mounting Ears, Positive Lock, 2 Circuits	<u>3092161</u>
2.36mm Diameter Standard .093" Pin and Socket Receptacle Housing, 2 Circuits, with Pre- bent Mounting Ears, with Ramps, Black	<u>3096021</u>
2.36mm Diameter Standard .093" Pin and Socket Plug Housing, 2 Circuits, without Mounting Ears, Black	<u>3097022</u>
2.36mm Diameter Standard .093" Pin and Socket Plug Housing, 2 Circuits, without Mounting Ears, Red	<u>3097024</u>
2.36mm Diameter Standard .093" Pin and Socket Plug Housing, 3 Circuits, Single Row, Black	<u>3097032</u>
3.18mm Diameter, HCS125, Pin and Socket Receptacle Housing, 2 Circuits, Single Row, with and without Panel Mount Ears	<u>3121022</u>

3.18mm Diameter, [3121026](#)  
HCS125, Pin and  
Socket Receptacle  
Housing, Single  
Row, 2 Circuits,  
Natural (Translucent)

3.18mm Diameter, [3121036](#)  
HCS125, Pin and  
Socket Receptacle  
Housing, Single  
Row, without Panel  
Mount Ears, 3  
Circuits, Natural,  
Nylon 94V-2

3.18mm Diameter, [3121046](#)  
HCS125, Pin and  
Socket Receptacle  
Housing, Single  
Row, 4 Circuits,  
Natural (Translucent)

3.18mm Diameter, [3122022](#)  
HCS125, Pin  
and Socket Plug  
Housing, 2 Circuits,  
Single Row, with and  
without Panel Mount  
Ears

3.18mm Diameter, [3122025](#)  
HCS125, Pin  
and Socket Plug  
Housing, Single  
Row, with Panel  
Mount Ears, 2  
Circuits, Natural  
(Translucent)

3.18mm Diameter, [3122026](#)  
HCS125, Pin  
and Socket Plug  
Housing, Single  
Row, without Panel  
Mount Ears, 2  
Circuits, Natural  
(Translucent)

3.18mm Diameter, [3122035](#)  
HCS125, Pin  
and Socket Plug  
Housing, Single  
Row, with Panel  
Mount Ears, 3  
Circuits, Natural,  
Nylon 94V-2

3.18mm Diameter, [3122036](#)  
HCS125, Pin  
and Socket Plug  
Housing, Single  
Row, without Panel  
Mount Ears, 3  
Circuits, Natural,  
Nylon 94V-2

3.18mm Diameter, [3122045](#)  
HCS125, Pin  
and Socket Plug  
Housing, Single  
Row, with Panel  
Mount Ears, 4

Circuits, Natural (Translucent) 3.18mm Diameter, HCS125, Pin and Socket Plug Housing, Single Row, without Panel Mount Ears, 4	<u>3122046</u>
Circuits, Natural (Translucent) Crimp Terminal 2482, 10-16 AWG, Reel	<u>5121004</u>
Crimp Terminal 2482, 10-16 AWG, Bag	<u>5121005</u>
Crimp Terminal 2482, 10-16 AWG, Reel	<u>5121006</u>
Crimp Terminal 2482, 10-16 AWG, Reel	<u>5121008</u>
Crimp Terminal 6482, 14-18 AWG, Reel	<u>5121104</u>
Flat Blade Appliance Motor Switch Crimp Housing, 10 Circuits	<u>6021103</u>
Flat Blade Appliance Water Valve Crimp Housing, 3 Circuit, Natural	<u>6022030</u>
Flat Blade Appliance Defrost Timer Crimp Housing, 4 Circuit, 4 Circuits	<u>6023042</u>
Flat Blade Appliance Motor Switch Crimp Housing, 10 Circuit, 10 Circuits	<u>6023103</u>
Flat Blade Appliance Dryer Motor Crimp Housing, 10 Circuit	<u>6023104</u>
KK 254 Cat Ear Crimp Terminal 4809, 22-30 AWG, Hot Tin Dip, 2.20mm Insulation Crimp, Reel	<u>8500030</u>
KK 254 Cat Ear Crimp Terminal 4809, 22-30 AWG, Hot Tin Dip, Reel	<u>8500031</u>
KK 254 Cat Ear Crimp Terminal 4809, 22-30 AWG, Hot Tin Dip, Bag	<u>8500032</u>
KK 396 Crimp Terminal 2478, 18-24 AWG, Bag, Brass Tin (Sn)	<u>8500106</u>
KK 254 Crimp Terminal, 22-30 AWG, Hot Tin (Sn) Dip Plating	<u>8500113</u>

KK 254 Crimp Terminal, 22-30 AWG, Bag, Hot Tin (Sn) Dip Plating	<u>8500114</u>
KK 254 Crimp Terminal 4809, 22-30 AWG, Hot Tin Dip, Reel	<u>8500135</u>
KK 254 Crimp Terminal 4809, 22-30 AWG, Tin, Bag	<u>8500136</u>
KK 254 Crimp Terminal, 22-30 AWG, Reel, Tin (Sn) Plating, Nickel (Ni) Under Plating	<u>8500159</u>
KK 254 Crimp Terminal, 22-30 AWG, Bag, Tin (Sn) Plating, Nickel (Ni) Under Plating	<u>8500160</u>
KK 100 Crp Term Std 22-30 Awg Unplt	<u>8510101</u>
KK 254 Crimp Terminal, 22-30 AWG, Reel, Tin (Sn), Nickel (Ni) Under Plating	<u>8510108</u>
KK 396 Crimp Terminal 2478, 18-24 AWG, Bag, Phosphor Bronze, Tin (Sn)	<u>8520072</u>
KK 254 Crimp Terminal 6459, 22-30 AWG, Reel, Phosphor Bronze Tin (Sn)	<u>8520101</u>
KK Trifurcon Crimp Terminal 6838, 18-20 AWG, Reel, Phosphor Bronze Tin(Sn)	<u>8520112</u>
KK Trifurcon Crimp Terminal 6838, 18-20 AWG, Bag, Phosphor Bronze Tin (Sn)	<u>8520113</u>
KK .100 CRIMP TERMINAL 100MI MATTE TIN	<u>8520118</u>
KK 254 Crimp Terminal 6459, 22-30 AWG, Bag, Phosphor Bronze Tin (Sn)	<u>8520123</u>
KK 254 Crimp Terminal, 22-30 AWG, Reel, Selective Gold (Au), Nickel (Ni) Under Plating	<u>8550101</u>
KK 254 Crimp Terminal, 22-30 AWG, Bag, Selective	<u>8550102</u>



Gold (Au), Nickel (Ni) Under Plating KK 254 Crimp	<u>8550110</u>
Terminal 4809, 22-30 AWG, Selective Gold (Au), Reel	
KK 254 Crimp	<u>8550111</u>
Terminal 4809, 22-30 AWG, Selective Gold (Au), Bag	
KK 254 Cat Ear	<u>8550112</u>
Crimp Terminal 4809, 22-30 AWG, Selective Gold, Reel	
KK 254 Crimp	<u>8550130</u>
Terminal, 22-30 AWG, Reel, Selective Gold (Au), Nickel (Ni) Under Plating	
KK 254 Crimp	<u>8550131</u>
Terminal, 22-30 AWG, Bag, Selective Gold (Au), Nickel (Ni) Under Plating	
KK 254 Crimp	<u>8560109</u>
Terminal, 22-30 AWG, Reel, Gold (Au), Nickel (Ni) Under Plating	
KK 254 Crimp	<u>8560110</u>
Terminal, 22-30 AWG, Bag, Gold (Au), Nickel (Ni) Under Plating	
KK 254 Crimp	<u>8560115</u>
Terminal 4809, 22-30 AWG, Selective Gold (Au), Bag	
KK 254 Crimp	<u>8560120</u>
Terminal 4809, 22-30 AWG, Selective Gold (Au), Reel	
KK 396 Crimp	<u>8650116</u>
Terminal 2578, 22-26 AWG, Reel, Phosphor Bronze, 0.38µm Selective Gold (Au)	
KK Trifurcon Crimp	<u>8650122</u>
Terminal 7258, 22-26 AWG, Bag, Phosphor Bronze Selective Gold (Au)	
KK 100 Crp Term	<u>8650801</u>
Std 22-30 Awg SGold	
KK 100 Crp Term	<u>8650811</u>
Std 22-30 Awg SGold	
KK 100 Crp Term	<u>8650812</u>
Std 22-30 Awg SGold	
KK 254 Crimp	<u>8650813</u>
Terminal 6459,	

22-30 AWG, Reel, Phosphor Bronze Gold (Au)	
KK 254 Crimp Terminal 6459, 22-30 AWG, Bag, Phosphor Bronze Gold (Au)	<u>8650814</u>
KK 254 Crimp Terminal 6459, 22-30 AWG, Reel, Phosphor Bronze Selective Gold (Au)	<u>8650815</u>
KK 254 Crimp Terminal 6459, 22-30 AWG, Bag, Phosphor Bronze Selective Gold (Au)	<u>8650816</u>
KK 100 Crp Term Std 22-30 Awg SGold	<u>8650817</u>
3.96 and 5.08mm Pitch KK Cat Ear Crimp Terminal, Female, 18-24 AWG, Reel	<u>8700012</u>
3.96mm Pitch KK Crimp Housing, Edge Card Connector, Single-Sided, Polarized, Positive Lock, with Probe Hole, 3 Circuits	<u>9011036</u>
KK 396 PC Board Connector, Right Angle, Polyester Connector, 5.00µm Tin (Sn), 2 Circuits	<u>9481024</u>
KK 396 PC Board Connector, Right Angle, Polyester Connector, 5.00µm Tin (Sn), 8 Circuits	<u>9481084</u>
KK 396 PC Board Connector, Right Angle, Polyester Connector, 5.00µm Tin (Sn), 10 Circuits	<u>9481104</u>
KK 396 PC Board Connector, Top Entry, Polyester Connector, Gold (Au) Selective, 10 Circuits	<u>9481105</u>
KK 396 PC Board Connector, Bottom Entry, Polyester Connector, Gold (Au) Selective, 2 Circuits	<u>9483024</u>
KK 396 PC Board Connector, Right Angle, Polyester Connector, Gold (Au) Selective, 2 Circuits	<u>9483025</u>
KK 396 PC Board Connector, Top	<u>9483026</u>

Entry, Polyester  
Connector, Gold (Au)  
Selective, 2 Circuits  
KK 396 PC Board 9483104  
Connector, Bottom  
Entry, Polyester  
Connector, Gold (Au)  
Selective, 10 Circuits  
KK 396 PC Board 9483105  
Connector, Right-  
Angle, Polyester  
Connector, Gold (Au)  
Selective, 10 Circuits  
KK 396 PC Board 9483106  
Connector, Top  
Entry, Polyester  
Connector, Gold (Au)  
Selective, 10 Circuits  
KK 396 PC Board 9484028  
Connector, Top  
Entry, Polyester  
Connector, 5.00µm  
Tin (Sn), 2 Circuits  
KK 396 PC Board 9484029  
Connector, Bottom  
Entry, Polyester  
Connector, 5.00µm  
Tin (Sn), 2 Circuits  
KK 396 PC Board 9484108  
Connector, Top  
Entry, Polyester  
Connector, 5.00µm  
Tin (Sn), 10 Circuits  
KK 396 PC Board 9484109  
Connector, Bottom  
Entry, Polyester  
Connector, 5.00µm  
Tin (Sn), 10 Circuits  
KK 396 PC Board 9484119  
Connector, Bottom  
Entry, Polyester  
Connector, 5.00µm  
Tin (Sn), 11 Circuits  
3.96mm Pitch SPOX 9501021  
Crimp Housing,  
Female, with Friction  
Ramp, 2 Circuits,  
Natural  
3.96mm Pitch SPOX 9501023  
Crimp Housing,  
Female, with Friction  
Ramp and Void, 2  
Circuits, Natural  
3.96mm Pitch SPOX 9501031  
Crimp Housing,  
Female, with Friction  
Ramp, 3 Circuits,  
Natural  
3.96mm Pitch SPOX 9501033  
Crimp Housing,  
Female, with Friction  
Ramp and Void, 3  
Circuits, Natural  
3.96mm Pitch SPOX 9501041  
Crimp Housing,

Female, with Friction  
Ramp, 4 Circuits,  
Natural  
3.96mm Pitch SPOX [9501043](#)  
Crimp Housing,  
Female, with Friction  
Ramp and Void, 4  
Circuits, Natural  
3.96mm Pitch SPOX [9501051](#)  
Crimp Housing,  
Female, with Friction  
Ramp, 5 Circuits,  
Natural  
3.96mm Pitch SPOX [9501053](#)  
Crimp Housing,  
Female, with Friction  
Ramp and Void, 5  
Circuits, Natural  
3.96mm Pitch SPOX [9501061](#)  
Crimp Housing,  
Female, with Friction  
Ramp, 6 Circuits,  
Natural  
3.96mm Pitch SPOX [9501063](#)  
Crimp Housing,  
Female, with Friction  
Ramp and Void, 6  
Circuits, Natural  
3.96mm Pitch SPOX [9501071](#)  
Crimp Housing,  
Female, with Friction  
Ramp, 7 Circuits,  
Natural  
3.96mm Pitch SPOX [9501073](#)  
Crimp Housing,  
Female, with Friction  
Ramp and Void, 7  
Circuits, Natural  
3.96mm Pitch SPOX [9501081](#)  
Crimp Housing,  
Female, with Friction  
Ramp, 8 Circuits,  
Natural  
3.96mm Pitch SPOX [9501083](#)  
Crimp Housing,  
Female, with Friction  
Ramp and Void, 8  
Circuits, Natural  
3.96mm Pitch SPOX [9501091](#)  
Crimp Housing,  
Female, with Friction  
Ramp, 9 Circuits,  
Natural  
3.96mm Pitch SPOX [9501101](#)  
Crimp Housing,  
Female, with Friction  
Ramp, 10 Circuits,  
Natural  
3.96mm Pitch SPOX [9501103](#)  
Crimp Housing,  
Female, with Friction  
Ramp and Void, 10  
Circuits, Natural  
3.96mm Pitch SPOX [9501111](#)  
Crimp Housing,

Female, with Friction  
Ramp, 11 Circuits,  
Natural  
3.96mm Pitch SPOX 9501113  
Crimp Housing,  
Female, with Friction  
Ramp and Void, 11  
Circuits, Natural  
3.96mm Pitch SPOX 9501121  
Crimp Housing,  
Female, with Friction  
Ramp, 12 Circuits,  
Natural  
KK 3.96mm Crimp 9503021  
Terminal Housing,  
Friction Ramp, 2  
Circuits, Natural  
KK 3.96mm Crimp 9503031  
Terminal Housing,  
Friction Ramp, 3  
Circuits, Natural  
KK 3.96mm Crimp 9503041  
Terminal Housing,  
Friction Ramp, 4  
Circuits, Natural  
KK 3.96mm Crimp 9503051  
Terminal Housing,  
Friction Ramp, 5  
Circuits, Natural  
KK 3.96mm Crimp 9503061  
Terminal Housing,  
Friction Ramp, 6  
Circuits, Natural  
KK 3.96mm Crimp 9503071  
Terminal Housing,  
Friction Ramp, 7  
Circuits, Natural  
KK 3.96mm Crimp 9503081  
Terminal Housing,  
Friction Ramp, 8  
Circuits, Natural  
KK 3.96mm Crimp 9503091  
Terminal Housing,  
Friction Ramp, 9  
Circuits, Natural  
KK 3.96mm Crimp 9503101  
Terminal Housing,  
Friction Ramp, 10  
Circuits, Natural  
KK 3.96mm Crimp 9503111  
Terminal Housing,  
Friction Ramp, 11  
Circuits, Natural  
KK 3.96mm Crimp 9503121  
Terminal Housing,  
Friction Ramp, 12  
Circuits, Natural  
KK 3.96mm Crimp 9503131  
Terminal Housing,  
Friction Ramp, 13  
Circuits, Natural  
KK 3.96mm Crimp 9503141  
Terminal Housing,  
Friction Ramp, 14  
Circuits, Natural

KK 3.96mm Crimp Terminal Housing, Friction Ramp, 15 Circuits, Natural	<u>9503151</u>
KK 3.96mm Crimp Terminal Housing, Friction Ramp, 16 Circuits, Natural	<u>9503161</u>
KK 3.96mm Crimp Terminal Housing, Friction Ramp, 17 Circuits, Natural	<u>9503171</u>
KK 3.96mm Crimp Terminal Housing, Friction Ramp, 18 Circuits, Natural	<u>9503181</u>
KK 3.96mm Crimp Terminal Housing, Friction Ramp, 19 Circuits, Natural	<u>9503191</u>
KK 3.96mm Crimp Terminal Housing, Friction Ramp, 20 Circuits, Natural	<u>9503201</u>
KK 3.96mm Crimp Terminal Housing, Friction Ramp, 21 Circuits, Natural	<u>9503211</u>
KK 3.96mm Crimp Terminal Housing, Friction Ramp, 22 Circuits, Natural	<u>9503221</u>
KK 3.96mm Crimp Terminal Housing, Friction Ramp, 23 Circuits, Natural	<u>9503231</u>
KK 3.96mm Crimp Terminal Housing, Friction Ramp, 24 Circuits, Natural	<u>9503241</u>
KK 3.96mm Crimp Terminal Housing, 2 Circuits, Natural	<u>9507021</u>
KK 3.96mm Crimp Terminal Housing, 3 Circuits, Natural	<u>9507031</u>
KK 3.96mm Crimp Terminal Housing, 4 Circuits, Natural	<u>9507041</u>
KK 3.96mm Crimp Terminal Housing, 5 Circuits, Natural	<u>9507051</u>
KK 3.96mm Crimp Terminal Housing, 6 Circuits, Natural	<u>9507061</u>
KK 3.96mm Crimp Terminal Housing, 7 Circuits, Natural	<u>9507071</u>
KK 3.96mm Crimp Terminal Housing, 8 Circuits, Natural	<u>9507081</u>
KK 3.96mm Crimp Terminal Housing, 9 Circuits, Natural	<u>9507091</u>

KK 3.96mm Crimp 9507101  
Terminal Housing, 10  
Circuits, Natural  
KK 3.96mm Crimp 9507111  
Terminal Housing, 11  
Circuits, Natural  
KK 3.96mm Crimp 9507121  
Terminal Housing, 12  
Circuits, Natural  
KK 3.96mm Crimp 9507131  
Terminal Housing, 13  
Circuits, Natural  
KK 3.96mm Crimp 9507141  
Terminal Housing, 14  
Circuits, Natural  
KK 3.96mm Crimp 9507151  
Terminal Housing, 15  
Circuits, Natural  
KK 3.96mm Crimp 9507161  
Terminal Housing, 16  
Circuits, Natural  
KK 3.96mm Crimp 9507171  
Terminal Housing, 17  
Circuits, Natural  
KK 3.96mm Crimp 9507181  
Terminal Housing, 18  
Circuits, Natural  
KK 3.96mm Crimp 9507191  
Terminal Housing, 19  
Circuits, Natural  
KK 3.96mm Crimp 9507201  
Terminal Housing, 20  
Circuits, Natural  
KK 3.96mm Crimp 9507211  
Terminal Housing, 21  
Circuits, Natural  
KK 3.96mm Crimp 9507221  
Terminal Housing, 22  
Circuits, Natural  
KK 3.96mm Crimp 9507231  
Terminal Housing, 23  
Circuits, Natural  
KK 3.96mm Crimp 9507241  
Terminal Housing, 24  
Circuits, Natural  
KK 3.96mm Crimp 9508020  
Terminal Housing, 2  
Circuits, Natural  
KK 3.96mm Crimp 9508021  
Terminal Housing,  
Friction Ramp, 2  
Circuits, Natural  
KK 3.96mm Crimp 9508023  
Terminal Housing,  
Friction Ramp, 2  
Circuits, Natural  
KK 3.96mm Crimp 9508041  
Terminal Housing,  
Friction Ramp, 4  
Circuits, Natural  
KK 3.96mm Crimp 9508043  
Terminal Housing,  
Friction Ramp, 4  
Circuits, Natural

KK 3.96mm Crimp Terminal Housing, Friction Ramp, 9 Circuits, Natural	<u>9508093</u>
KK 3.96mm Crimp Terminal Housing, 10 Circuits, Natural	<u>9508100</u>
KK 3.96mm Crimp Terminal Housing, Friction Ramp, 10 Circuits, Natural	<u>9508101</u>
KK 3.96mm Crimp Terminal Housing, Friction Ramp, 10 Circuits, Natural	<u>9508103</u>
KK 3.96mm Crimp Terminal Housing, Friction Ramp, 14 Circuits, Natural	<u>9508141</u>
3.96mm Pitch KK Crimp Housing, Female, Friction Ramp, 2 Circuits, Natural	<u>9524024</u>
3.96mm Pitch KK Crimp Housing, Female, Friction Ramp, 3 Circuits, Natural	<u>9524034</u>
3.96mm Pitch KK Crimp Housing, Female, Friction Ramp, 4 Circuits, Natural	<u>9524044</u>
3.96mm Pitch KK Crimp Housing, Female, Friction Ramp, 5 Circuits, Natural	<u>9524054</u>
3.96mm Pitch KK Crimp Housing, Female, Friction Ramp, 6 Circuits, Natural	<u>9524064</u>
SPOX and KK 396 Wire-to-Board Header, Vertical, with Friction Lock, 2 Circuits	<u>9652028</u>
SPOX and KK 396 Wire-to-Board Header, Vertical, with Friction Lock, with Void, 2 Circuits	<u>9652029</u>
SPOX and KK 396 Wire-to-Board Header, Vertical, with Friction Lock, 3 Circuits	<u>9652038</u>
SPOX and KK 396 Wire-to-Board Header, Vertical, with Friction Lock, with Void, 3 Circuits	<u>9652039</u>



SPOX and KK 396 Wire-to-Board Header, Vertical, with Friction Lock, 4 Circuits	<u>9652048</u>
SPOX and KK 396 Wire-to-Board Header, Vertical, with Friction Lock, with Void, 4 Circuits	<u>9652049</u>
SPOX and KK 396 Wire-to-Board Header, Vertical, with Friction Lock, 5 Circuits	<u>9652058</u>
SPOX and KK 396 Wire-to-Board Header, Vertical, with Friction Lock, 6 Circuits	<u>9652068</u>
SPOX and KK 396 Wire-to-Board Header, Vertical, with Friction Lock, with Void, 6 Circuits	<u>9652069</u>
SPOX and KK 396 Wire-to-Board Header, Vertical, with Friction Lock, 7 Circuits	<u>9652078</u>
SPOX and KK 396 Wire-to-Board Header, Vertical, with Friction Lock, with Void, 7 Circuits	<u>9652079</u>
SPOX and KK 396 Wire-to-Board Header, Vertical, with Friction Lock, 8 Circuits	<u>9652088</u>
SPOX and KK 396 Wire-to-Board Header, Vertical, with Friction Lock, with Void, 8 Circuits	<u>9652089</u>
KK 3.96mm Crimp Terminal Housing, Friction Ramp, 2 Circuits, Glow-Wire Capable	<u>9930200</u>
KK 3.96mm Crimp Terminal Housing, Friction Ramp, 3 Circuits, Glow-Wire Capable	<u>9930300</u>
KK 3.96mm Crimp Terminal Housing, Friction Ramp, 4 Circuits, Glow-Wire Capable	<u>9930400</u>
KK 3.96mm Crimp Terminal Housing, Friction Ramp, 5 Circuits, Glow-Wire Capable	<u>9930500</u>

KK 3.96mm Crimp Terminal Housing, Friction Ramp, 6 Circuits, Glow-Wire Capable	<u>9930600</u>
KK 3.96mm Crimp Terminal Housing, Friction Ramp, 7 Circuits, Glow-Wire Capable	<u>9930700</u>
KK 3.96mm Crimp Terminal Housing, Friction Ramp, 8 Circuits, Glow-Wire Capable	<u>9930800</u>
KK 3.96mm Crimp Terminal Housing, Friction Ramp, 9 Circuits, Glow-Wire Capable	<u>9930900</u>
KK 3.96mm Crimp Terminal Housing, Friction Ramp, 10 Circuits, Glow-Wire Capable	<u>9931000</u>
KK 3.96mm Crimp Terminal Housing, Friction Ramp, 11 Circuits, Glow-Wire Capable	<u>9931100</u>
KK 3.96mm Crimp Terminal Housing, Friction Ramp, 12 Circuits, Glow-Wire Capable	<u>9931200</u>
KK 3.96mm Crimp Terminal Housing, Friction Ramp, 13 Circuits, Glow-Wire Capable	<u>9931300</u>
KK 3.96mm Crimp Terminal Housing, Friction Ramp, 14 Circuits, Glow-Wire Capable	<u>9931400</u>
KK 3.96mm Crimp Terminal Housing, Friction Ramp, 15 Circuits, Glow-Wire Capable	<u>9931500</u>
15 PIN MICRO-D FEMAL ASSY M8351309B11	<u>10008503</u>
15/C METALSHELL RECEPT.WIRED	<u>10008637</u>
15/C METAL SHELL PLUG WIRED	<u>10008638</u>
25/C RECEPT. HARNESS ASSY	<u>10008645</u>
37/C RECEPT. HARNESS ASSY	<u>10008647</u>
STAT. 3CKT RECEPT. PIN 1/4 IN 1 FT	<u>10008653</u>

R/A 3CKT PLUG SOC. INSERT PUR 12 FEET	<u>10008654</u>
15/C M SHELL RECEPT. WIRED 72.0	<u>10008655</u>
5.08mm Pitch KK Crimp Terminal Housing, 2 Circuits, Natural	<u>10011024</u>
5.08mm Pitch KK Crimp Terminal Housing, 3 Circuits, Natural	<u>10011034</u>
5.08mm Pitch KK Crimp Terminal Housing, 4 Circuits, Natural	<u>10011044</u>
5.08mm Pitch KK Crimp Terminal Housing, 5 Circuits, Natural	<u>10011054</u>
5.08mm Pitch KK Crimp Terminal Housing, 6 Circuits, Natural	<u>10011064</u>
5.08mm Pitch KK Crimp Terminal Housing, 7 Circuits, Natural	<u>10011074</u>
5.08mm Pitch KK Crimp Terminal Housing, 8 Circuits, Natural	<u>10011084</u>
5.08mm Pitch KK Crimp Terminal Housing, 9 Circuits, Natural	<u>10011094</u>
5.08mm Pitch KK Crimp Terminal Housing, 10 Circuits, Natural	<u>10011104</u>
5.08mm Pitch KK Crimp Terminal Housing, 11 Circuits, Natural	<u>10011114</u>
5.08mm Pitch KK Crimp Terminal Housing, 12 Circuits, Natural	<u>10011124</u>
5.08mm Pitch SPOX Crimp Terminal Housing, 2 Circuits, Natural	<u>10013026</u>
5.08mm Pitch SPOX Crimp Terminal Housing, 3 Circuits, Natural	<u>10013036</u>
5.08mm Pitch SPOX Crimp Terminal Housing, 4 Circuits, Natural	<u>10013046</u>
5.08mm Pitch SPOX Crimp Terminal	<u>10013056</u>

Housing, 5 Circuits,  
Natural  
5.08mm Pitch SPOX [10013066](#)  
Crimp Terminal  
Housing, 6 Circuits,  
Natural  
5.08mm Pitch SPOX [10013076](#)  
Crimp Terminal  
Housing, 7 Circuits,  
Natural  
5.08mm Pitch SPOX [10013086](#)  
Crimp Terminal  
Housing, 8 Circuits,  
Natural  
5.08mm Pitch SPOX [10013096](#)  
Crimp Terminal  
Housing, 9 Circuits,  
Natural  
KK PC Board [10021022](#)  
Connector, Bottom  
Entry Mount Style B,  
1.00µm Tin (Sn), 2  
Circuits  
KK PC Board [10021032](#)  
Connector, Bottom  
Entry Mount Style B,  
1.00µm Tin (Sn), 3  
Circuits  
KK PC Board [10021042](#)  
Connector, Bottom  
Entry Mount Style B,  
1.00µm Tin (Sn), 4  
Circuits  
KK PC Board [10021052](#)  
Connector, Bottom  
Entry Mount Style B,  
1.00µm Tin (Sn), 5  
Circuits  
KK PC Board [10021062](#)  
Connector, Bottom  
Entry Mount Style B,  
1.00µm Tin (Sn), 6  
Circuits  
KK PC Board [10021072](#)  
Connector, Bottom  
Entry Mount Style B,  
1.00µm Tin (Sn), 7  
Circuits  
KK PC Board [10021082](#)  
Connector, Bottom  
Entry Mount Style B,  
1.00µm Tin (Sn), 8  
Circuits  
KK PC Board [10021092](#)  
Connector, Bottom  
Entry Mount Style B,  
1.00µm Tin (Sn), 9  
Circuits  
KK PC Board [10021102](#)  
Connector, Bottom  
Entry Mount Style B,  
1.00µm Tin (Sn), 10  
Circuits  
KK PC Board [10021112](#)  
Connector, Bottom

Entry Mount Style B,  
1.00µm Tin (Sn), 11  
Circuits  
KK PC Board 10021122  
Connector, Bottom  
Entry Mount Style B,  
1.00µm Tin (Sn), 12  
Circuits  
5.08mm Pitch KK 10061045  
Header, Right  
Angle, Square Pin,  
4 Circuits, Tin (Sn)  
Plating  
KK Header, Right 10061055  
Angle, Square Pin,  
5 Circuits, Tin (Sn)  
Plating  
KK Header, Vertical, 10081021  
Round Pin, 2  
Circuits, Tin (Sn)  
Plating, Pin Length  
19.05mm  
KK Header, Vertical, 10081022  
Round Pin, 2  
Circuits, Tin (Sn)  
Plating, Pin Length  
23.80mm  
KK Header, Vertical, 10081029  
Round Pin, 2  
Circuits, Tin (Sn)  
Plating, Pin Length  
20.32mm  
KK Header, Vertical, 10081031  
Round Pin, 3  
Circuits, Tin (Sn)  
Plating, Pin Length  
19.05mm  
KK Header, Vertical, 10081039  
Round Pin, 3  
Circuits, Tin (Sn)  
Plating, Pin Length  
20.32mm  
KK Header, Vertical, 10081041  
Round Pin, 4  
Circuits, Tin (Sn)  
Plating, Pin Length  
19.05mm  
KK Header, Vertical, 10081049  
Round Pin, 4  
Circuits, Tin (Sn)  
Plating, Pin Length  
20.32mm  
KK Header, Vertical, 10081051  
Round Pin, 5  
Circuits, Tin (Sn)  
Plating, Pin Length  
19.05mm  
KK Header, Vertical, 10081061  
Round Pin, 6  
Circuits, Tin (Sn)  
Plating, Pin Length  
19.05mm  
KK Header, Vertical, 10081069  
Round Pin, 6  
Circuits, Tin (Sn)

Plating, Pin Length  
20.32mm  
KK Header, Vertical, [10081071](#)  
Round Pin, 7  
Circuits, Tin (Sn)  
Plating, Pin Length  
19.05mm  
KK Header, Vertical, [10081081](#)  
Round Pin, 8  
Circuits, Tin (Sn)  
Plating, Pin Length  
19.05mm  
KK Header, Vertical, [10081082](#)  
Round Pin, 8  
Circuits, Tin (Sn)  
Plating, Pin Length  
23.80mm  
KK Header, Vertical, [10081089](#)  
Round Pin, 8  
Circuits, Tin (Sn)  
Plating, Pin Length  
20.32mm  
KK Header, Vertical, [10081091](#)  
Round Pin, 9  
Circuits, Tin (Sn)  
Plating, Pin Length  
19.05mm  
KK Header, Vertical, [10081101](#)  
Round Pin, 10  
Circuits, Tin (Sn)  
Plating, Pin Length  
19.05mm  
KK Header, Vertical, [10081102](#)  
Round Pin, 10  
Circuits, Tin (Sn)  
Plating, Pin Length  
23.80mm  
KK Header, Vertical, [10081111](#)  
Round Pin, 11  
Circuits, Tin (Sn)  
Plating, Pin Length  
19.05mm  
KK Header, Vertical, [10081112](#)  
Round Pin, 11  
Circuits, Tin (Sn)  
Plating, Pin Length  
23.80mm  
KK Header, Vertical, [10081121](#)  
Round Pin, 12  
Circuits, Tin (Sn)  
Plating, Pin Length  
19.05mm  
KK Header, Vertical, [10085021](#)  
with Polarizing  
Backwall, 2 Circuits,  
Tin (Sn) Plating  
KK Header, Vertical, [10085031](#)  
with Polarizing  
Backwall, 3 Circuits,  
Tin (Sn) Plating  
KK Header, Vertical, [10085041](#)  
with Polarizing  
Backwall, 4 Circuits,  
Tin (Sn) Plating

KK Header, Vertical, [10085051](#)  
with Polarizing  
Backwall, 5 Circuits,  
Tin (Sn) Plating  
KK Header, Vertical, [10085061](#)  
with Polarizing  
Backwall, 6 Circuits,  
Tin (Sn) Plating  
KK Header, Vertical, [10085071](#)  
with Polarizing  
Backwall, 7 Circuits,  
Tin (Sn) Plating  
KK Header, Vertical, [10085081](#)  
with Polarizing  
Backwall, 8 Circuits,  
Tin (Sn) Plating  
KK Header, Vertical, [10085091](#)  
with Polarizing  
Backwall, 9 Circuits,  
Tin (Sn) Plating  
KK Header, Vertical, [10085101](#)  
with Polarizing  
Backwall, 10 Circuits,  
Tin (Sn) Plating  
KK Header, Vertical, [10085111](#)  
with Polarizing  
Backwall, 11 Circuits,  
Tin (Sn) Plating  
KK Header, Vertical, [10085121](#)  
with Polarizing  
Backwall, 12 Circuits,  
Tin (Sn) Plating  
KK PC Board [10101021](#)  
Connector, Right-  
Angle Mount Style A,  
1.00 $\mu$ m Tin (Sn), 2  
Circuits  
KK PC Board [10101023](#)  
Connector, Top  
Entry Mount Style C,  
1.00 $\mu$ m Tin (Sn), 2  
Circuits  
KK PC Board [10101031](#)  
Connector, Right-  
Angle Mount Style A,  
1.00 $\mu$ m Tin (Sn), 3  
Circuits  
KK PC Board [10101033](#)  
Connector, Top  
Entry Mount Style C,  
1.00 $\mu$ m Tin (Sn), 3  
Circuits  
KK PC Board [10101041](#)  
Connector, Right-  
Angle Mount Style A,  
1.00 $\mu$ m Tin (Sn), 4  
Circuits  
KK PC Board [10101043](#)  
Connector, Top  
Entry Mount Style C,  
1.00 $\mu$ m Tin (Sn), 4  
Circuits  
KK PC Board [10101051](#)  
Connector, Right-  
Angle Mount Style A,

1.00µm Tin (Sn), 5  
Circuits  
KK PC Board 10101053  
Connector, Top  
Entry Mount Style C,  
1.00µm Tin (Sn), 5  
Circuits  
KK PC Board 10101061  
Connector, Right-  
Angle Mount Style A,  
1.00µm Tin (Sn), 6  
Circuits  
KK PC Board 10101063  
Connector, Top  
Entry Mount Style C,  
1.00µm Tin (Sn), 6  
Circuits  
KK PC Board 10101071  
Connector, Right-  
Angle Mount Style A,  
1.00µm Tin (Sn), 7  
Circuits  
KK PC Board 10101073  
Connector, Top  
Entry Mount Style C,  
1.00µm Tin (Sn), 7  
Circuits  
KK PC Board 10101081  
Connector, Right-  
Angle Mount Style A,  
1.00µm Tin (Sn), 8  
Circuits  
KK PC Board 10101083  
Connector, Top  
Entry Mount Style C,  
1.00µm Tin (Sn), 8  
Circuits  
KK PC Board 10101091  
Connector, Right-  
Angle Mount Style A,  
1.00µm Tin (Sn), 9  
Circuits  
KK PC Board 10101093  
Connector, Top  
Entry Mount Style C,  
1.00µm Tin (Sn), 9  
Circuits  
KK PC Board 10101101  
Connector, Right-  
Angle Mount Style A,  
1.00µm Tin (Sn), 10  
Circuits  
KK PC Board 10101103  
Connector, Top  
Entry Mount Style C,  
1.00µm Tin (Sn), 10  
Circuits  
KK PC Board 10101111  
Connector, Right-  
Angle Mount Style A,  
1.00µm Tin (Sn), 11  
Circuits  
KK PC Board 10101113  
Connector, Top  
Entry Mount Style C,



1.00µm Tin (Sn), 11 Circuits	
KK PC Board	<u>10101121</u>
Connector, Right- Angle Mount Style A, 1.00µm Tin (Sn), 12 Circuits	
KK PC Board	<u>10101123</u>
Connector, Top Entry Mount Style C, 1.00µm Tin (Sn), 12 Circuits	
KK 254 Crimp	<u>10112023</u>
Housing, High Pressure, 2 Circuits, Natural	
KK 254 Crimp	<u>10112033</u>
Housing, High Pressure, 3 Circuits, Natural	
KK 254 Crimp	<u>10112043</u>
Housing, High Pressure, 4 Circuits, Natural	
KK 254 Crimp	<u>10112053</u>
Housing, High Pressure, 5 Circuits, Natural	
KK 254 Crimp	<u>10112063</u>
Housing, High Pressure, 6 Circuits, Natural	
KK 254 Crimp	<u>10112073</u>
Housing, High Pressure, 7 Circuits, Natural	
KK 254 Crimp	<u>10112083</u>
Housing, High Pressure, 8 Circuits, Natural	
KK 254 Crimp	<u>10112093</u>
Housing, High Pressure, 9 Circuits, Natural	
KK 254 Crimp	<u>10112103</u>
Housing, High Pressure, 10 Circuits, Natural	
KK 254 Crimp	<u>10112113</u>
Housing, High Pressure, 11 Circuit	
KK 254 Crimp	<u>10112123</u>
Housing, High Pressure, 12 Circuits, Natural	
KK 254 Crimp	<u>10112133</u>
Housing, High Pressure, 13 Circuits, Natural	
KK 254 Crimp	<u>10112143</u>
Housing, High Pressure, 14 Circuits, Natural	
KK 254 Crimp	<u>10112153</u>
Housing, High	

Pressure, 15 Circuits, Natural KK 254 Crimp Housing, High	<u>10112163</u>
Pressure, 16 Circuits, Natural KK 254 Crimp Housing, High	<u>10112173</u>
Pressure, 17 Circuits, Natural KK 254 Crimp Housing, High	<u>10112183</u>
Pressure, 18 Circuits, Natural 2.36mm Diameter Standard .093" Pin and Socket Header, Shrouded, 3 Circuits, 2 Male Terminals	<u>10181031</u>
2.36mm Diameter Standard .093" Pin and Socket Header, Shrouded, 3 Circuits, 3 Male Terminals	<u>10181032</u>
2.36mm Diameter Standard .093" Pin and Socket Header, Shrouded, 3 Circuits, 1 Female Terminal, 2 Male Terminals	<u>10181033</u>
2.36mm Diameter Standard .093" Pin and Socket Header, Shrouded, 3 Circuits, 1 Female Terminal, 2 Male Terminals	<u>10181034</u>
2.36mm Diameter Standard .093" Pin and Socket Header, Shrouded, 3 Circuits, 2 Male Terminals, 1 Female Terminal	<u>10181035</u>
2.36mm Diameter Standard .093" Pin and Socket Header, Shrouded, 3 Circuits, 1 Female Terminal, 1 Male Terminal	<u>10181036</u>
2.36mm Diameter Standard .093" Pin and Socket Header, Shrouded, 3 Circuits, 2 Female Terminals, 1 Male Terminal	<u>10181037</u>
2.36mm Diameter Standard .093" Pin and Socket Header, Shrouded, 3 Circuits, 3 Female Terminals	<u>10181038</u>
2.36mm Diameter Standard .093" Pin and Socket Header, Shrouded, 4 Circuits, 1 Female Terminal, 1 Male Terminal	<u>10181040</u>

2.36mm Diameter 10181041  
Standard .093" Pin  
and Socket Header,  
Shrouded, 4 Circuits,  
4 Male Terminals

2.36mm Diameter 10181042  
Standard .093" Pin  
and Socket Header,  
Shrouded, 4 Circuits,  
4 Female Terminals

2.36mm Diameter 10181043  
Standard .093" Pin  
and Socket Header,  
Shrouded, 4 Circuits,  
1 Female Terminal, 3  
Male Terminals

2.36mm Diameter 10181044  
Standard .093" Pin  
and Socket Header,  
Shrouded, 4 Circuits,  
3 Female Terminals,  
1 Male Terminals

2.36mm Diameter 10181045  
Standard .093" Pin  
and Socket Header,  
Shrouded, 4 Circuits,  
2 Male Terminals, 2  
Female Terminals

2.36mm Diameter 10181046  
Standard .093" Pin  
and Socket Header,  
Shrouded, 4 Circuits,  
3 Male Terminals, 1  
Female Terminal

2.36mm Diameter 10181047  
Standard .093" Pin  
and Socket Header,  
Shrouded, 4 Circuits,  
1 Female Terminal, 3  
Male Terminals

2.36mm Diameter 10181048  
Standard .093" Pin  
and Socket Header,  
Shrouded, 4 Circuits,  
1 Female Terminal,  
2 Male Terminals, 1  
Female Terminal, 1  
Male Terminal

2.36mm Diameter 10181049  
Standard .093" Pin  
and Socket Header,  
Shrouded, 4 Circuits,  
2 Female Terminals,  
1 Male Terminal, 1  
Female Terminal,  
1 Male Terminal, 1  
Female Terminal

2.36mm Diameter 10181050  
Standard .093" Pin  
and Socket Header,  
Shrouded, 4 Circuits,  
2 Female Terminals,  
2 Male Terminals

2.36mm Diameter 10181090  
Standard .093" Pin

and Socket Header,  
Shrouded, 9 Circuits,  
9 Male Terminals  
2.36mm Diameter 10181091  
Standard .093" Pin  
and Socket Header,  
3 Rows, Shrouded,  
Unfilled Polyester,  
UL 94V-0, 9 Circuits,  
9 Female Terminals  
2.36mm Diameter 10181120  
Standard .093"  
Pin and Socket  
Header, Shrouded,  
12 Circuits, 12 Male  
Terminals  
2.36mm Diameter 10181122  
Standard .093"  
Pin and Socket  
Header, 3 Rows,  
Shrouded, Unfilled  
Polyester, UL 94V-0,  
12 Circuits, 12  
Female Terminals  
2.36mm Diameter 10181150  
Standard .093"  
Pin and Socket  
Header, Shrouded,  
15 Circuits, 15 Male  
Terminals  
5.08mm Pitch SPOX 10221022  
Crimp Housing,  
Female, with Friction  
Ramp and Void, 2  
Circuits  
2.50mm Pitch KK 10302031  
Crimp Terminal  
Housing, 3 Circuits  
5.00/7.50mm Pitch 10311028  
SPOX Header,  
Vertical, with Friction  
Lock, 2 Circuits  
5.00/7.50mm Pitch 10311038  
SPOX Header,  
Vertical, with Friction  
Lock, 3 Circuits  
5.00/7.50mm Pitch 10311048  
SPOX Header,  
Vertical, with Friction  
Lock, 4 Circuits  
5.00/7.50mm Pitch 10311058  
SPOX Header,  
Vertical, with Friction  
Lock, 5 Circuits  
5.00/7.50mm Pitch 10311068  
SPOX Header,  
Vertical, with Friction  
Lock, 6 Circuits  
5.08mm Pitch SPOX 10321021  
Wire-to-Board  
Header, Vertical,  
with Friction Lock, 2  
Circuits  
5.08mm Pitch SPOX 10321031  
Wire-to-Board

This document was generated on 09/13/2019

**PLEASE CHECK [WWW.MOLEX.COM](http://WWW.MOLEX.COM) FOR LATEST PART INFORMATION**

# Mouser Electronics

Authorized Distributor

Click to View Pricing, Inventory, Delivery & Lifecycle Information:

[Molex:](#)

[62203-0032](#)