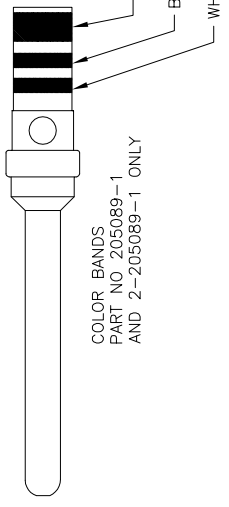
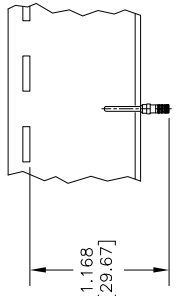
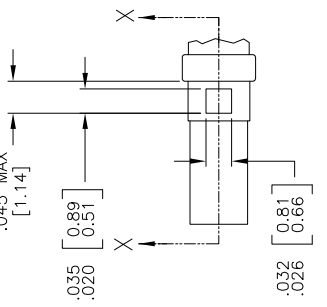
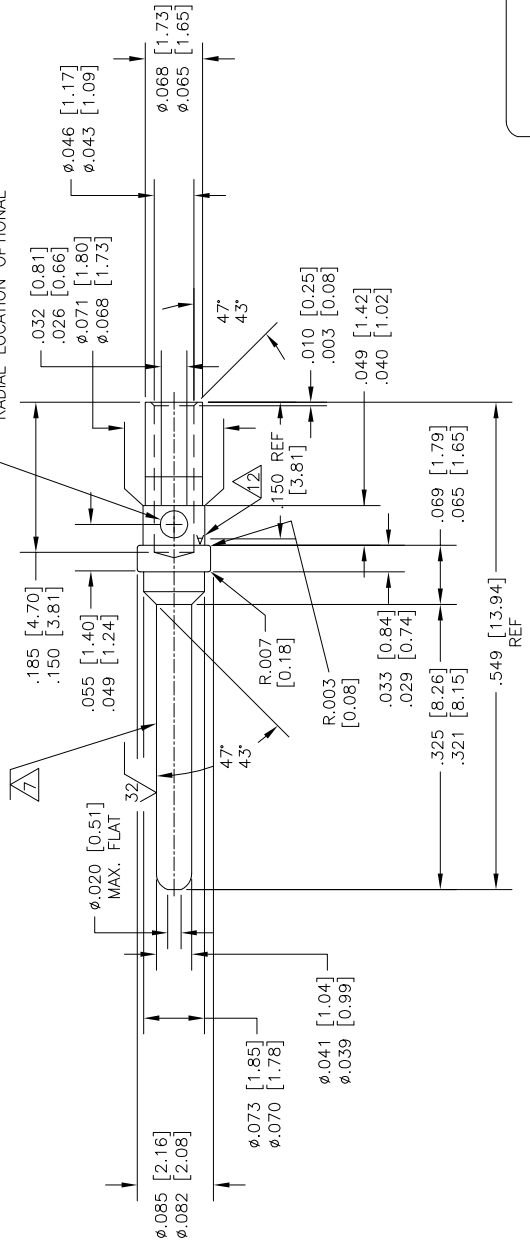


THIS DRAWING IS UNPUBLISHED.
© copyright - By - ALL RIGHTS RESERVED.

WHEN ORDERING CONTACT ON TAPE, ORDER BY THE TAPE NUMBER PLUS THE PACKAGING CODE AS FOLLOWS:

- 2. FOR USE WITH AMP TAPETRONIC, PNEUMATIC TOOL-
A. 1000 PARTS TO A BOX ADD PACKAGING CODE: 1MBOX
- 3. FOR USE WITH 4/8 INDENT STRIPPER CRIMP-
A. 1000 PARTS TO A REEL ADD PACKAGING CODE: 1MREEL
B. 5000 PARTS TO A REEL ADD PACKAGING CODE: 5MREEL



- 1. MATERIAL: COPPER ALLOY PER MIL-C-39029 & MIL-DTL-24308.
- 2. ALL DIMENSIONS APPLY AFTER PLATING.
- 3. ---
- 4. ALL DIAMETERS CONCENTRIC WITH EACH OTHER WITHIN .004 T.I.R.
- 5. PIN MATES WITH SOCKET 205090 (AS 39029/63).
- 6. ALL SURFACES HAVE $\sqrt{3}$ OR BETTER FINISH, UNLESS SHOWN.
- 7. POINT OF PLATING MEASUREMENT .188 [4.78] FROM TIP OF PIN.
- 8. PLATING: GOLD PER ASTM-B-488 (TYPE II) OVER NICKEL PER AMS-QQ-N-290.
- 9. PLATING: GOLD PER ASTM-B-488 (TYPE II) OVER COPPER PER MIL-C-14550, CLASS 4.
- 10. PLATING: GOLD PER ASTM-B-488 (TYPE II, CLASS 0) OVER NICKEL PER AMS-QQ-N-290.
- 11. PLATING:
 - MATING AREA: GOLD PER ASTM-B-488 (TYPE II) OVER NICKEL PER AMS-QQ-N-290.
 - NON MATING AREA: GOLD PER ASTM-B-488 OVER NICKEL PER AMS-QQ-N-290.
- 12. MANUFACTURER'S LOGO ("A" OR ".") LOCATION OPTIONAL
- 13. CONTACTS QUALIFIED TO AS39029/64-369
- 14. CONTACTS QUALIFIED TO GSFC-S-311-P-4/10, NASA P/N G-10-P1
- 15. RESTRICTED PART NUMBER.
- 16. CONTACTS MUST MEET DIMENSIONAL & PERFORMANCE REQUIREMENTS OF GSFC-S-311-P-4/08, NASA P/N G-10-P1 & 100% RESIDUAL MAGNETISM.

REVISIONS			
P	TR	DATE	REV
AA	REV PER ECO 17-005913	5-2-17	CT DM

WITHOUT COLOR CODE	2-205089-6
WITHOUT COLOR CODE	2-205089-4
WITHOUT COLOR CODE	2-205089-2
WITHOUT COLOR CODE	2-205089-1
WITHOUT COLOR CODE	1-205089-1
WITHOUT COLOR CODE	1-205089-0
WITHOUT COLOR CODE	205089-4
CONTACT ON TAPE	SAME AS -1
AS SHOWN	205089-1
DESCRIPTION	PLATING
PART NO.	PART NO.

THIS DRAWING IS A CONTROLLED DOCUMENT.	
DATE	25062003
BY	K KAISER
CHK	10-13-03
D. MILLER	10-13-03
NAME	TE Connectivity
PRODUCT SPEC	PIN SIZE 20 CONTACT, AMPLIMITE
APPLICATION SPEC	
WEIGHT	0.000000
DWG NO	A2 00779
SCALE	10:1
SHEET	1 of 1
REV	AA