

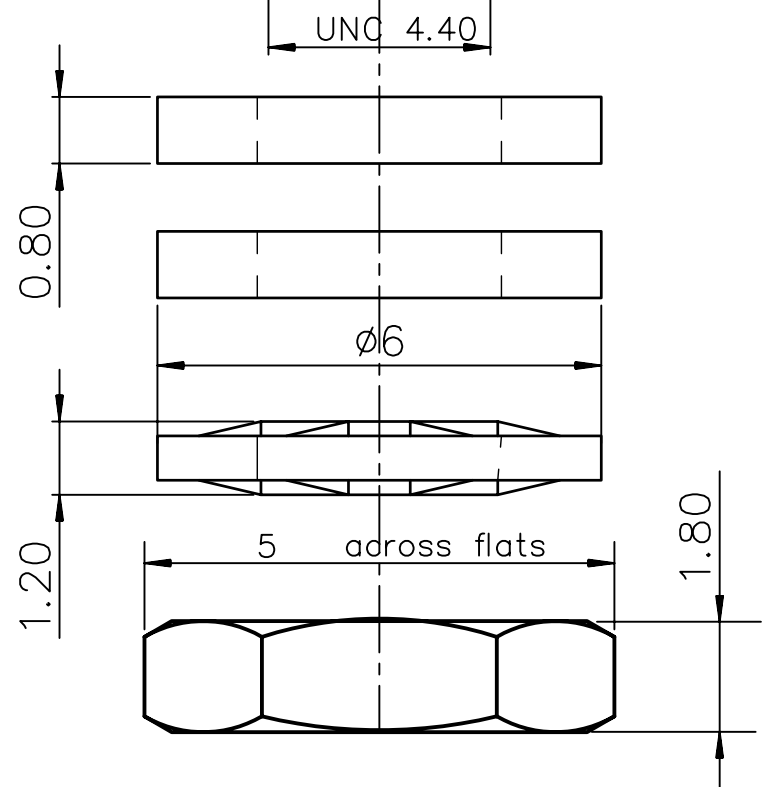
TECHNICAL CHARACTERISTICS :

Female screw locks: brass, Zinc(Cr3+)/Nickel
 Compensating washer: steel , Zinc(Cr3+)/Nickel
 Nuts : steel , Zinc(Cr3+)/Nickel
 Corrosion resistance : 24 hours .

NOTE: RoHS INFORMATIONS

- The "LF" products meet European union Directives and other country regulations as described in GS-22-008.
- Packaging spec: see GS-14-920

Core range		
PART NUMBER	863001060LF	PACKAGING: In kit



www.fciconnect.com		surface ISO 1302 ✓	tolerance std ISO 406 ISO 1101	projection mm
TOLERANCES UNLESS OTHERWISE SPECIFIED				
Dr	ABHILASH	2009-08-07	ANGULAR	0.X ±0.1
Eng	ABHILASH	2009-08-07	LINEAR	0.XX ±0.1
Chr	ABHILASH	2009-08-07	0.XX ±2	0.XXX ±0.1
Appr	SUDHIR	2009-08-07	Product family	D-SUB
size A3				Scale 10
ECN 109-0156				Spec ref -
title FEMALE SCREW LOCK D SUB ACCESSORIES			dwg no C-DSUB-0181	Rev. A
catalog no -			CUSTOMER	sheet 1 of 1

rev	ecn no	dr	date
A	109-0156	AMR	2009-07-08
-	-	-	-
-	-	-	-
-	-	-	-
-	-	-	-
-	-	-	-



Copyright FCI.

Mouser Electronics

Authorized Distributor

Click to View Pricing, Inventory, Delivery & Lifecycle Information:

[FCI / Amphenol:](#)

[863001060LF](#)