

PART NAME

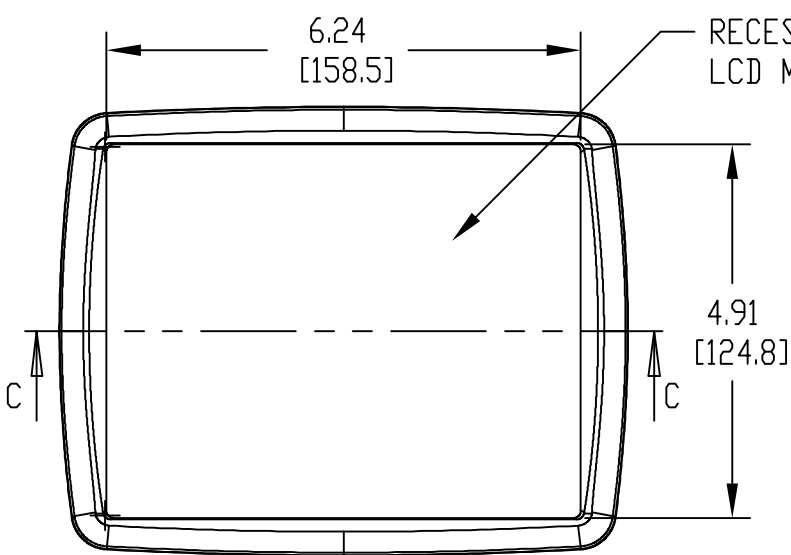
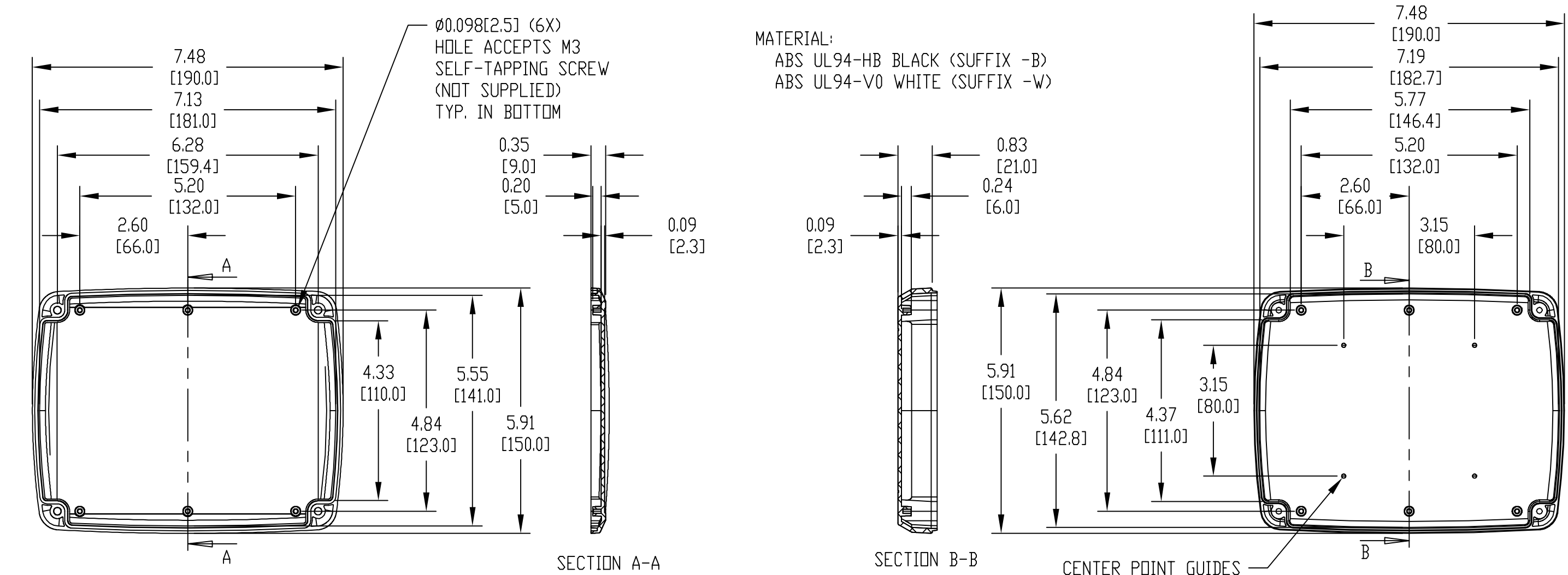
TABLET ENCLOSURE

PART No.

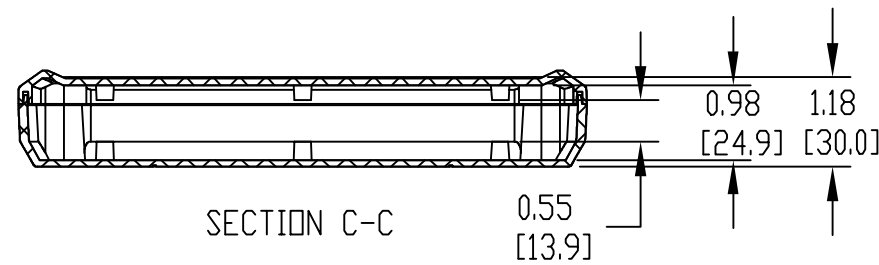
TB-32611-B & TB-32611-W

REV. DATE

2-23-13



RECESSED AREA ACCEPTS 5.70[144.8] LCD MODULE OR TOUCH SCREEN

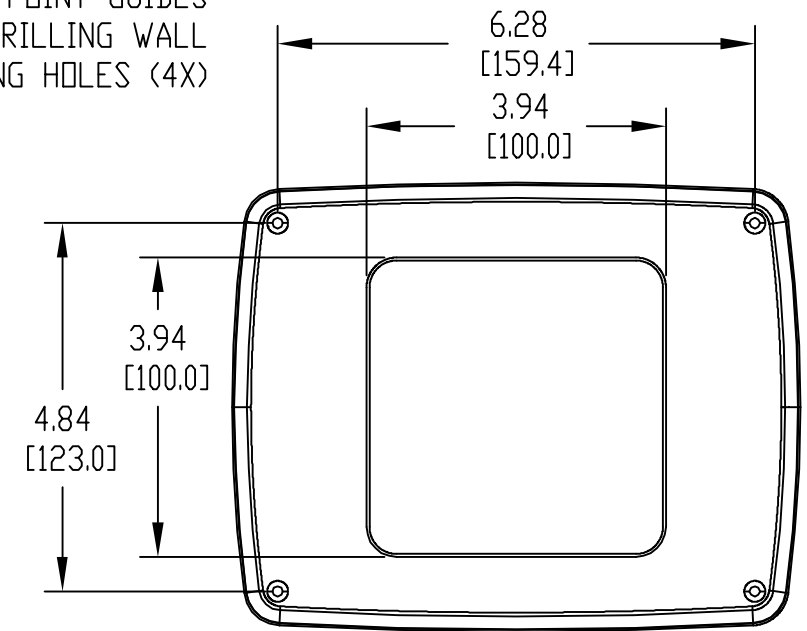


SECTION C-C

NOTES:

- 1.) FOUR (4) M3 x 0.83[21] LG. SELF-TAPPING SCREWS SUPPLIED FOR ASSEMBLY
- 2.) FOUR (4) ADD-ON RUBBER FEET SUPPLIED
- 3.) ALL HOLE DIAMETERS HAVE ±0.005[0.13] TOLERANCE
ALL OTHER DIMENSIONS HAVE ±0.015[0.38] TOLERANCE
- 4.) DIMENSIONS ARE INCH[MILLIMETER] - THIRD ANGLE PROJECTION
- 5.) OPTIONAL SILICONE SPONGE GASKET #TB-32611-GSK AVAILABLE

CENTER POINT GUIDES FOR DRILLING WALL MOUNTING HOLES (4X)



Mouser Electronics

Authorized Distributor

Click to View Pricing, Inventory, Delivery & Lifecycle Information:

[Bud Industries:](#)

[TB-32611-W](#) [TB-32611-B](#) [TBG-32611-W](#) [TBG-32611-B](#)