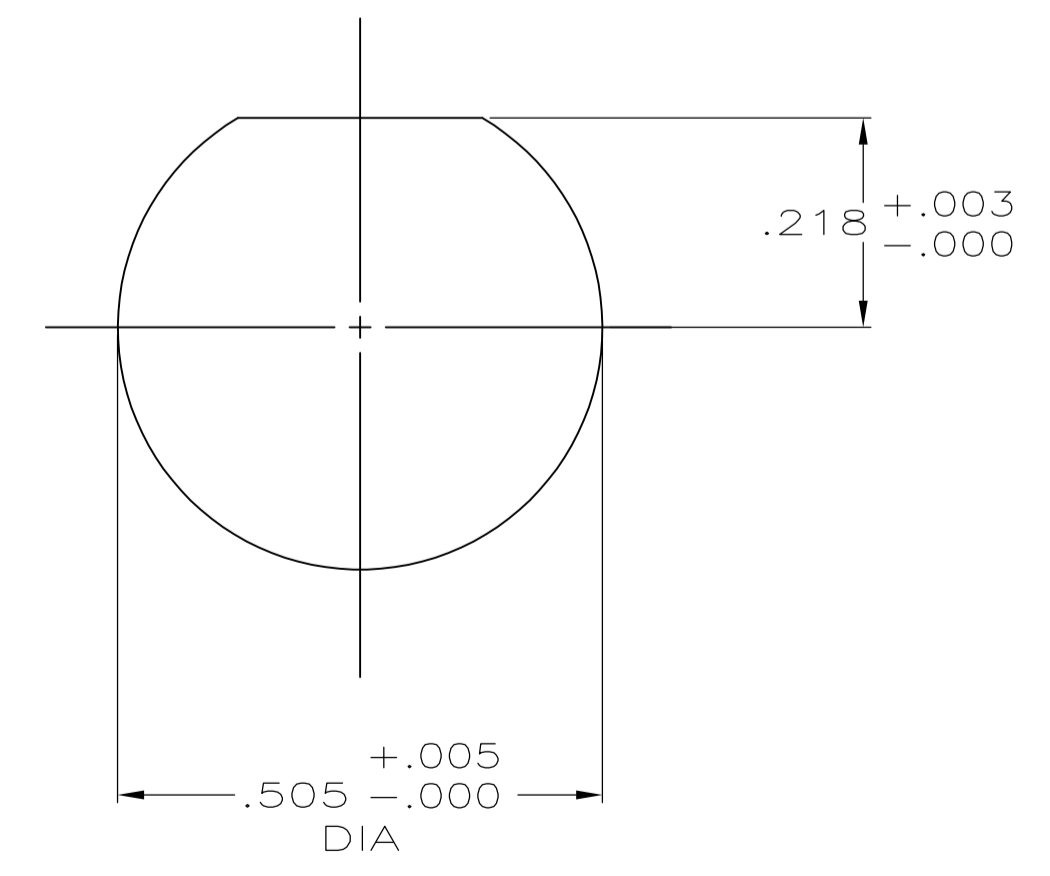
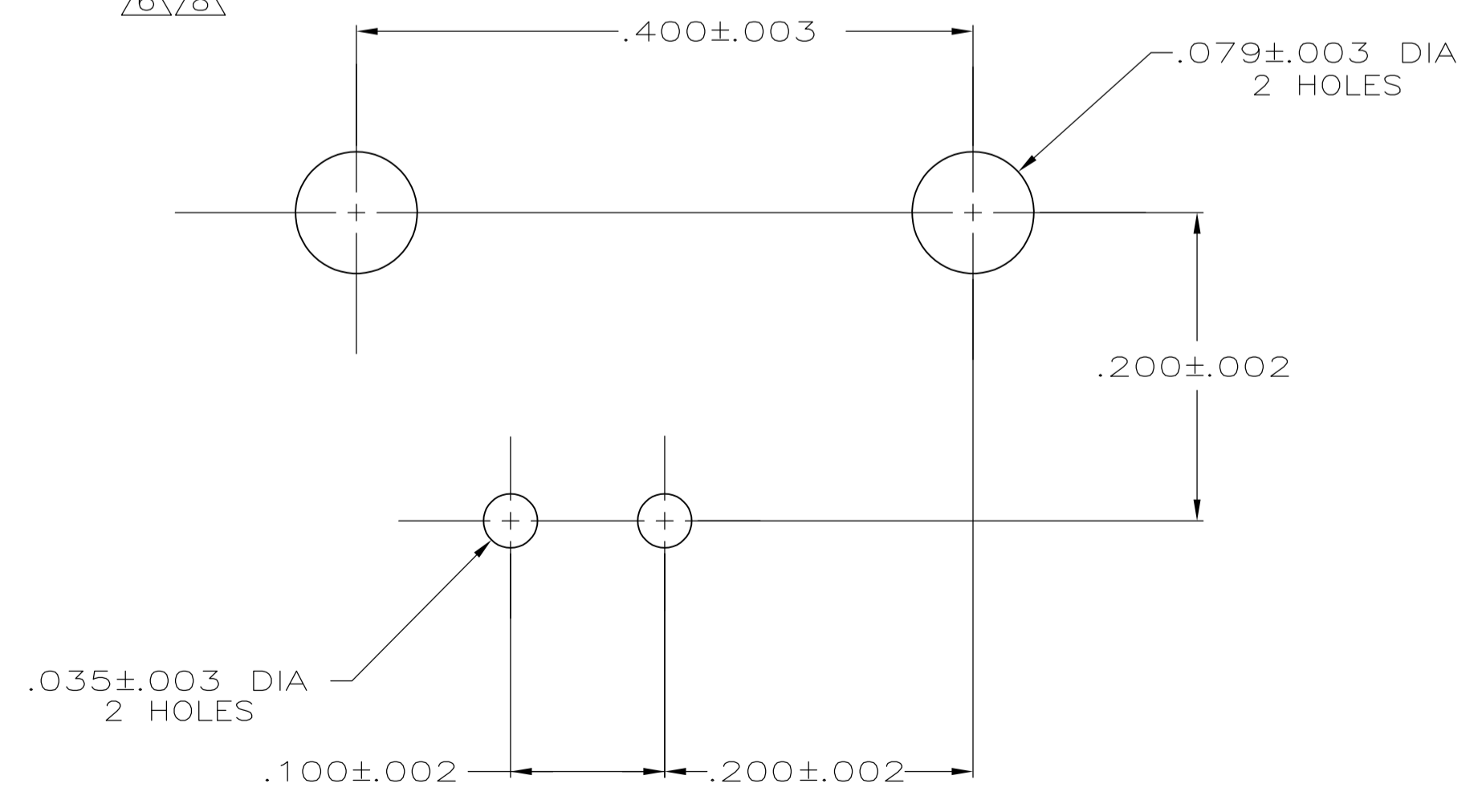
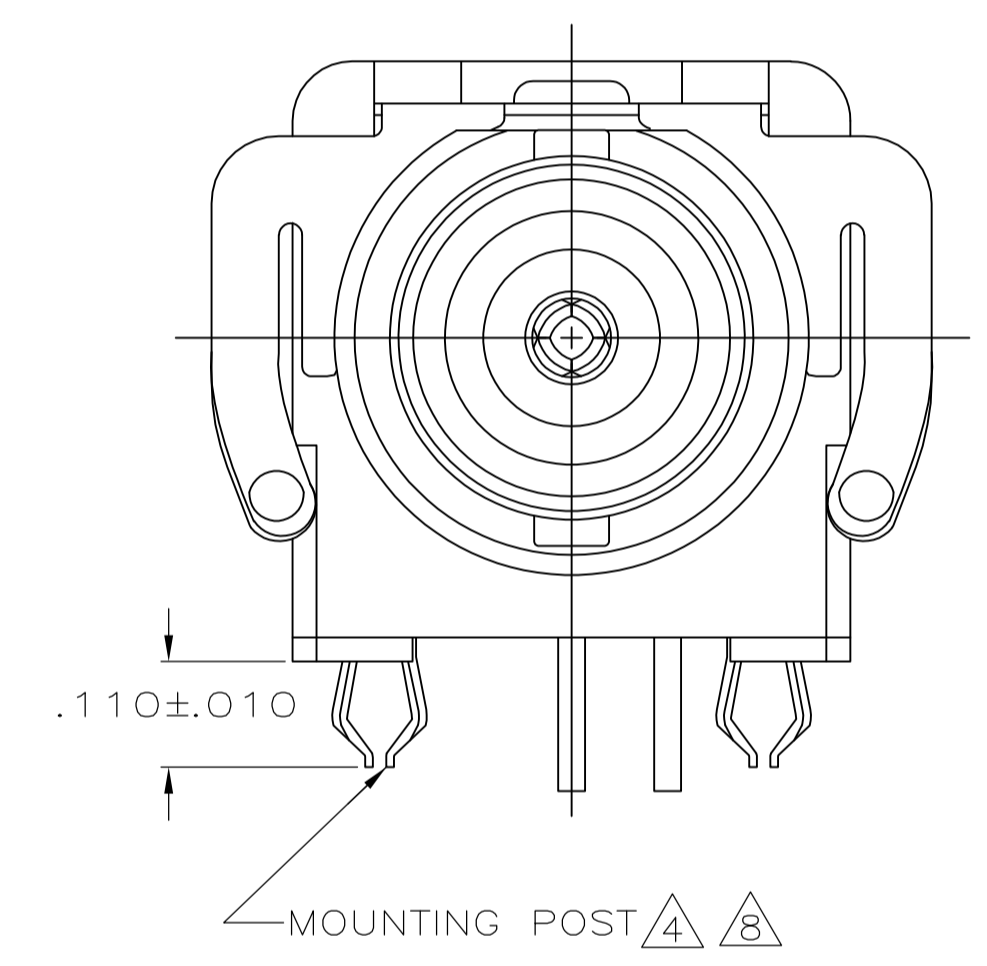
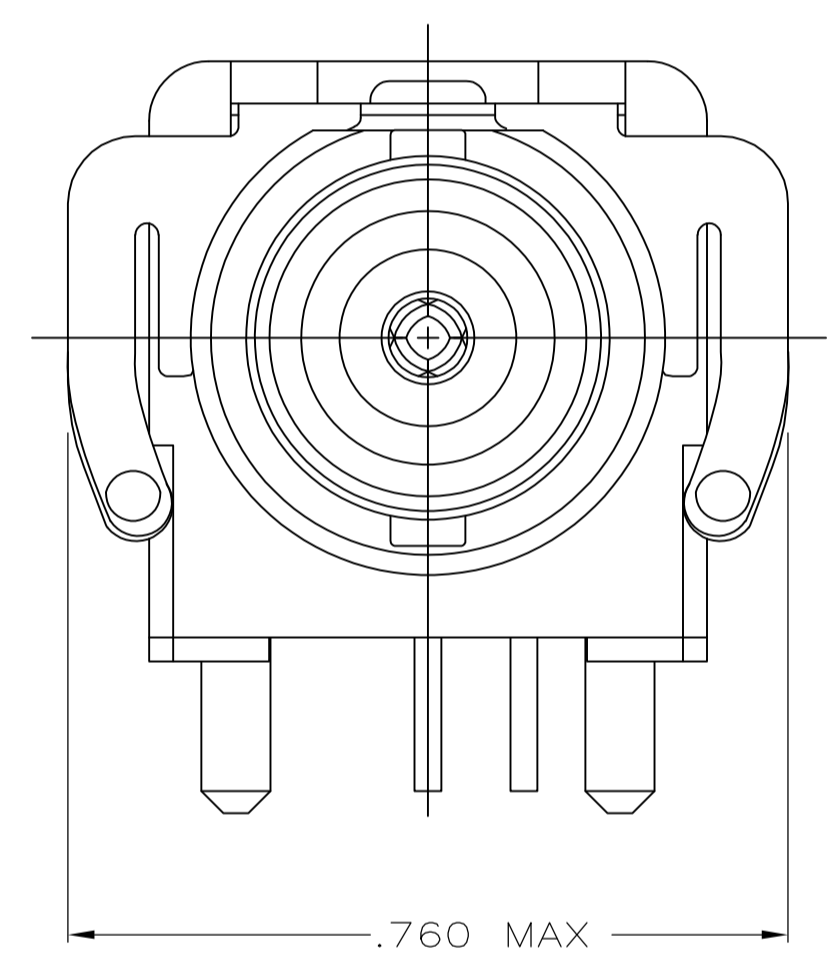
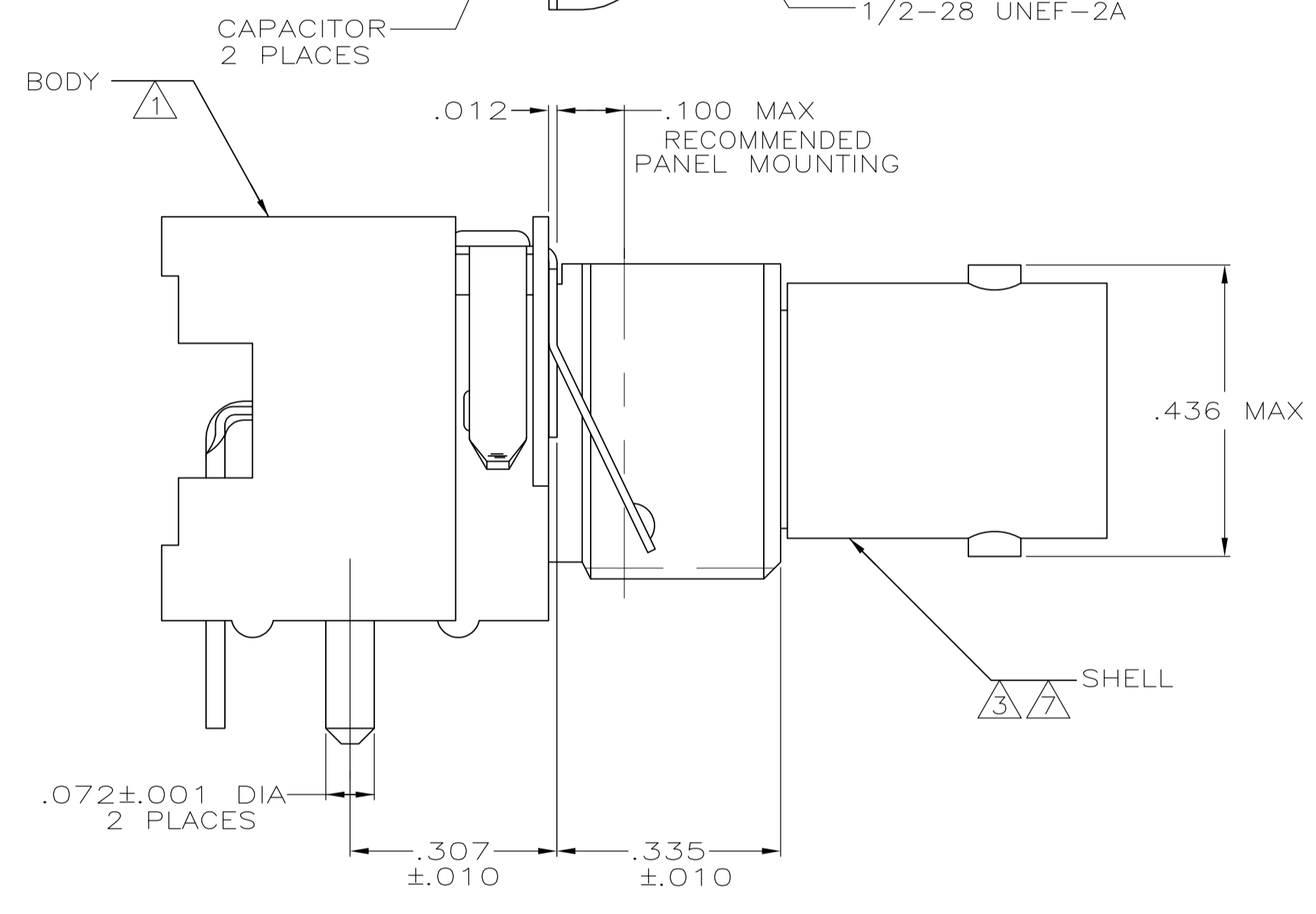
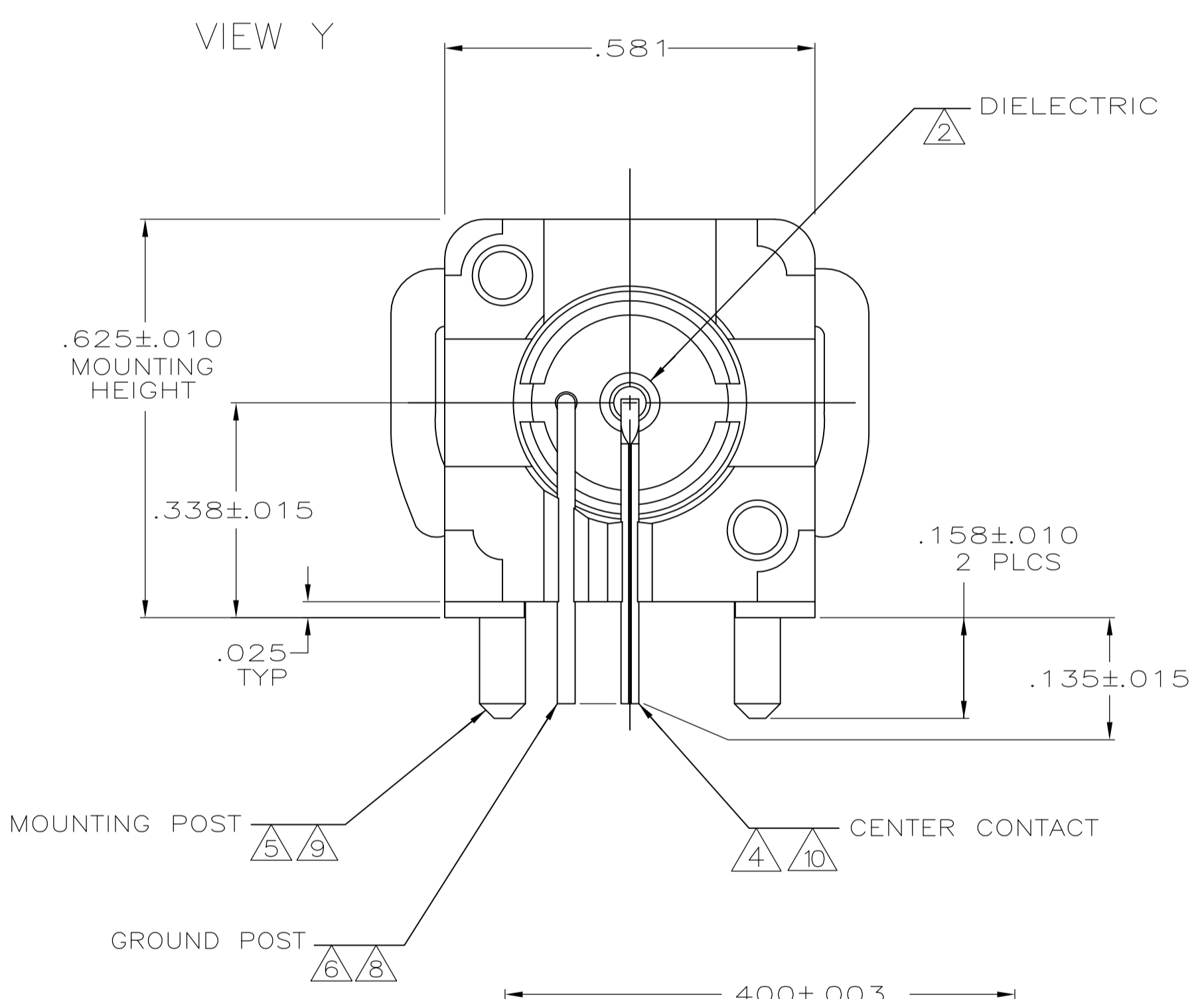


- 1 POLYESTER,PBT,BLACK,PER MIL-M-24519
- 2 POLYMETHYLPENTENE GENERAL PURPOSE
- 3 ZINC PER QQ-Z-363
- 4 PHOSPHOR BRONZE PER QQ-B-750
- 5 BRASS PER QQ-B-626
- 6 BRASS PER ASTM-B-453
- 7 NICKEL PL PER QQ-N-290
- 8 TIN PL PER ASTM-B-545
- 9 TIN PL PER ASTM-B-545
- 10 SELECTIVELY GOLD PLATED ON INTERFACE AREA PER: MIL-G-45204, .000030 THK,TIN PLATED ON SOLDER TAIL PER: ASTM-B-545, ALL OVER NICKEL PL PER: QQ-N-290



	VIEW Z	VIEW X	9400 pf, 1500 VDC	413524-5
SUPSD BY 413524-2	VIEW X OR Y	VIEW Y	9400 pf, 1500 VDC	413524-4
SUPSD BY 413524-2	VIEW X OR Y	VIEW Y	9400 pf, 500 VDC	413524-3
	VIEW X OR Y	VIEW X	9400 pf, 1500 VDC	413524-2
SUPSD BY 413524-2	VIEW X OR Y	VIEW X	9400 pf, 500 VDC	413524-1
	MOUNTING POST	CLIP	CAPACITANCE & VOLTAGE	PART NUMBER

THIS DRAWING IS A CONTROLLED DOCUMENT.		DIN P. KERLIN 4/30/90	Tyco Electronics Corporation Middletown, PA 17057	
DIMENSIONS: INCHES		CHK R. E. RUTH 5/18/90	NAME	
TOLERANCES UNLESS OTHERWISE SPECIFIED:		APP'D P. BIRD 5/18/90	PRODUCT SPEC	
0 PLC ± -	1 PLC ± -	108-1269		
2 PLC ± -	3 PLC ± -.008	APPLICATION SPEC		
4 PLC ± -	ANGLES ± -	SIZE	CAGE CODE	DRAWING NO
MATERIAL THRU	FINISH	WEIGHT	A1 00779	413524
1	6	CUSTOMER DRAWING	SCALE 5:1	SHEET 1 of 1 REV L

Mouser Electronics

Authorized Distributor

Click to View Pricing, Inventory, Delivery & Lifecycle Information:

[TE Connectivity:](#)

[413524-2](#)