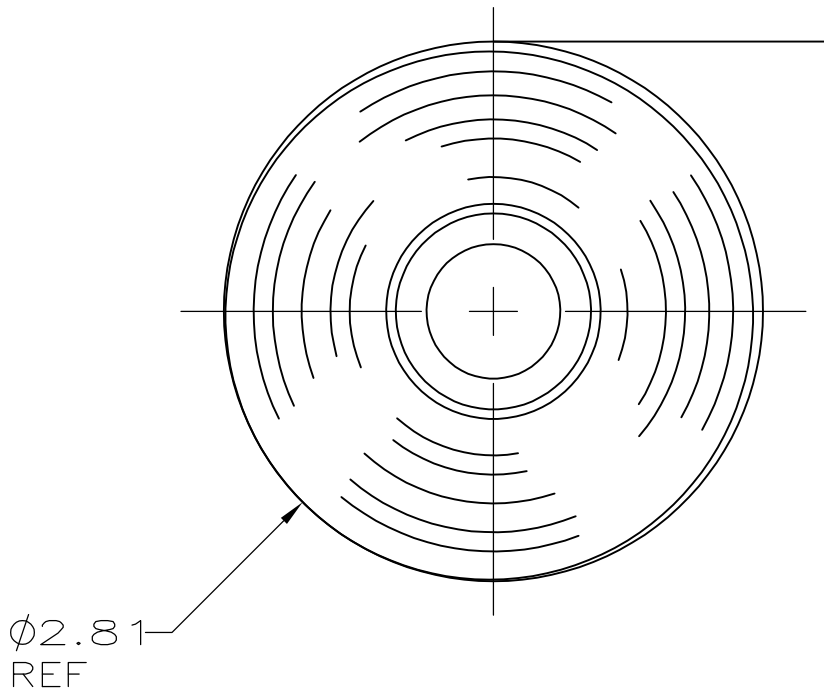


LOC	DIST	REVISIONS					
G	25	P	LTR	DESCRIPTION	DATE	DWN	APVD
		A		REL PER ECR 08-002633	30JAN08	JR	TM

1. WIDTH - 3/4 INCH
  2. THICKNESS - .007 INCH
  3. VOLTAGE RATING - 600 VRMS MAX
  4. TEMPERATURE RATING -  
 UL -10°C TO 80°C  
 CSA 0°C TO 105°C
  5. SHIPPING WEIGHT 5 ROLLS / POUND
- △  
6  
PVC FLAME RETARDED BLACK.



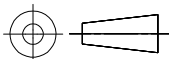
THIS DRAWING IS UNPUBLISHED.

ALL RIGHTS RESERVED.

COPYRIGHT - BY TYCO ELECTRONICS CORPORATION.

66 FT.	10 ROLLS PER SLEEVE INDIVIDUALLY WRAPPED	1958171-1
LENGTH (REF)	DESCRIPTION	PART NO.

DIMENSIONS: INCHES	DWN	JR RUTH	19NOV07	MATERIAL	△ 6 -	FINISH	-	
	CHK	T MICHIELUTTI	19NOV07	Tyco Electronics Corporation Harrisburg, PA 17105-3608				
TOLERANCES UNLESS OTHERWISE SPECIFIED:	APVD	T MICHIELUTTI	19NOV07					
0 PLC ± -	PRODUCT SPEC	NAME TAPE, PVC ELECTRICAL BLACK, GRADE B						
1 PLC ± -	APPLICATION SPEC							
2 PLC ± -	WEIGHT	SIZE			CAGE CODE	DRAWING NO	RESTRICTED TO	
3 PLC ± -		A4	00779	C-	1958171	-		
4 PLC ± -		CUSTOMER DRAWING					SCALE	1:1
ANGLES ± -							SHEET	1 OF 1
							REV	A



# Mouser Electronics

Authorized Distributor

Click to View Pricing, Inventory, Delivery & Lifecycle Information:

[TE Connectivity:](#)

[1958171-1](#)