

PRODUCT NUMBER  
93696-YXXLF

RoHS COMPATIBLE, SEE NOTE 6

NUMBER OF POSITIONS PER ROW: 03 TO 50.

PLATING CODE

3= 0.76µm GOLD ON CONTACT AREA.

2µm MIN MATTE TIN ON TAIL.

4= 2µm MIN MATTE TIN FULL PLATED

1.27µm Ni MIN UNDERPLATING

NOTES:

- 1 - HOUSING MAT'L: THERMOPLASTIC GLASS FILLED  
FLAME RETARDANT PER UL 94 V-0 COLOR: GREY.
- 2 - TERMINAL MATERIAL: PHOSPHOR BRONZE.
- 3 - 3 UP TO 50 POSITIONS PRODUCT PACKED IN TUBE.
- 4 - TO DETERMINE DIMENSIONS:  
N = NUMBER OF POSITIONS PER ROW  
EXAMPLE: 8 POS:  $((N+2) \times 2.54) - 0.08 = 25.32$  mm.
- 5 -  $\phi 2.65$  MINI FOR ASSEMBLY WITHOUT INSERTION EFFORT.
- 6 - RoHS COMPATIBLE PRODUCT SPECIFICATIONS

a - PLATING:

- "LF" MEANS THE PRODUCT IS LEAD-FREE,  
2µm MINIMUM MATTE TIN OVER 1.27µm  
MINIMUM NICKEL UNDERPLATE.

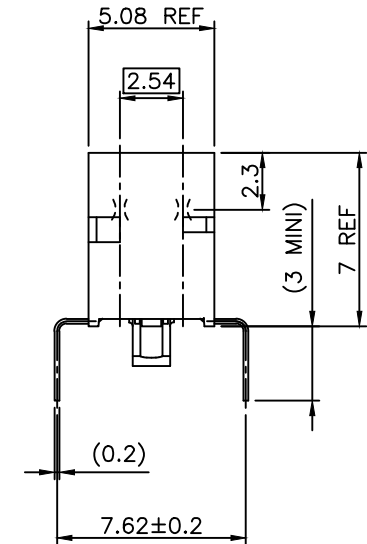
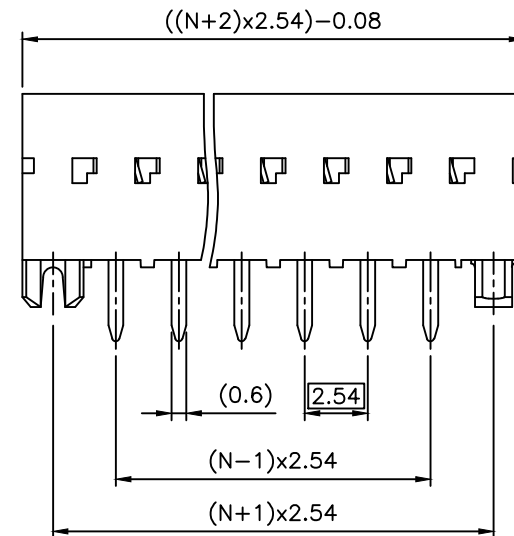
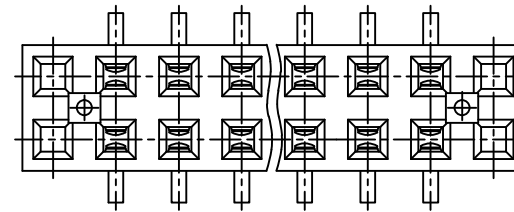
b - MANUFACTURING PROCESS COMPATIBILITY

- THE HOUSING WILL WITHSTAND EXPOSURE TO  
260°C  $\pm 5^\circ$ C SOLDER BATH TEMPERATURE FOR  
5 SECONDS IN A WAVE SOLDER APPLICATION  
WITH A 1.6mm MIN THICK CIRCUIT BOARD.

c - LABELING:

- MEETS PACKAGING SPECS AS PER GS-14-920

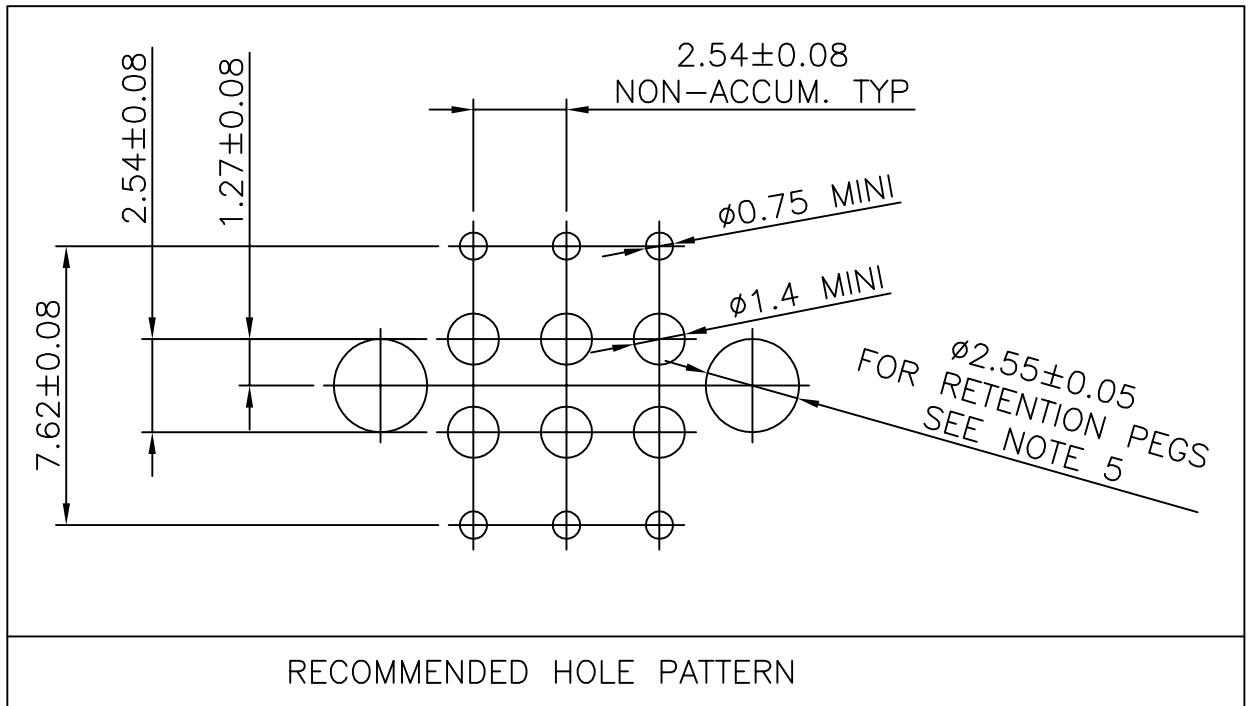
d - LEGAL STATEMENT: SEE GS-47-0004



mat'l. code SEE NOTES		surface ISO 1302 <input checked="" type="checkbox"/> ISO 406 ISO 1101		tolerance ISO 406 ISO 1101		projection 		product family DUBOX		
ltr	ecn no	dr	date	tolerances unless otherwise specified				title BtB RECEPT. VERT DR TMT		
L	F06-0204	DLE	06.06.28	angles	Linear	mm		scale 5:1		
M	F06-0323	DLE	06.11.21	±2°				dwg no 93696		
N	B-19124	LMU	14.10.21					sheet 1 of 2 size A3		
H	F10116	GCO	01.01.23	dr	P.NIZZI	95.09.20			type CUSTOMER Drawing	
J	F04-0347	DLE	04.11.15	enrg	JM.PHAMVAN	95.09.20				
K	F06-0137	DLE	06.02.27	chr	P.NIZZI	95.09.20				
sheet	revision	N	B							
index	sheet	1	2							

A

A



B

B

C

C



FCIconnect.com

Copyright FCI

mat'l. code SEE NOTES				surface ISO 1302 ✓	tolerance ISO 406 ISO 1101	projection 	product family DUBOX			
ltr	ecn no	dr	date	tolerances unless otherwise specified		mm 	title BtB RECEPT. VERT DR TMT			
A	F04-0347	DLE	04.11.15	angles	±0.3		scale 5:1			
B	F06-0204	DLE	06.06.28	linear			dwg no		sheet 2 of -	size
				dr	D LEGRAND		04.11.15	93696		A4
				enr	P NIZZI		04.11.15	type		Drawing
				chr	D LEGRAND		04.11.15	CUSTOMER		
				appd	P NZ	04.11.15				
sheet index	revision sheet									

D

D

# Mouser Electronics

Authorized Distributor

Click to View Pricing, Inventory, Delivery & Lifecycle Information:

## [FCI / Amphenol:](#)

[93696-321](#) [93696-304](#) [93696-311](#) [93696-325](#) [93696-304LF](#) [93696-308LF](#) [93696-310LF](#) [93696-311LF](#) [93696-315LF](#) [93696-316LF](#) [93696-320LF](#) [93696-321LF](#) [93696-323LF](#) [93696-325LF](#) [93696-334LF](#) [93696-350LF](#) [93696-305LF](#) [93696-307LF](#) [93696-313LF](#) [93696-314LF](#) [93696-340LF](#) [93696-405LF](#) [93696-407LF](#) [93696-720LF](#) [93696-730LF](#) [93696-735LF](#) [93696-320](#) [93696-306](#) [93696-334](#) [93696-306LF](#) [93696-330LF](#) [93696-330](#) [93696-336LF](#)