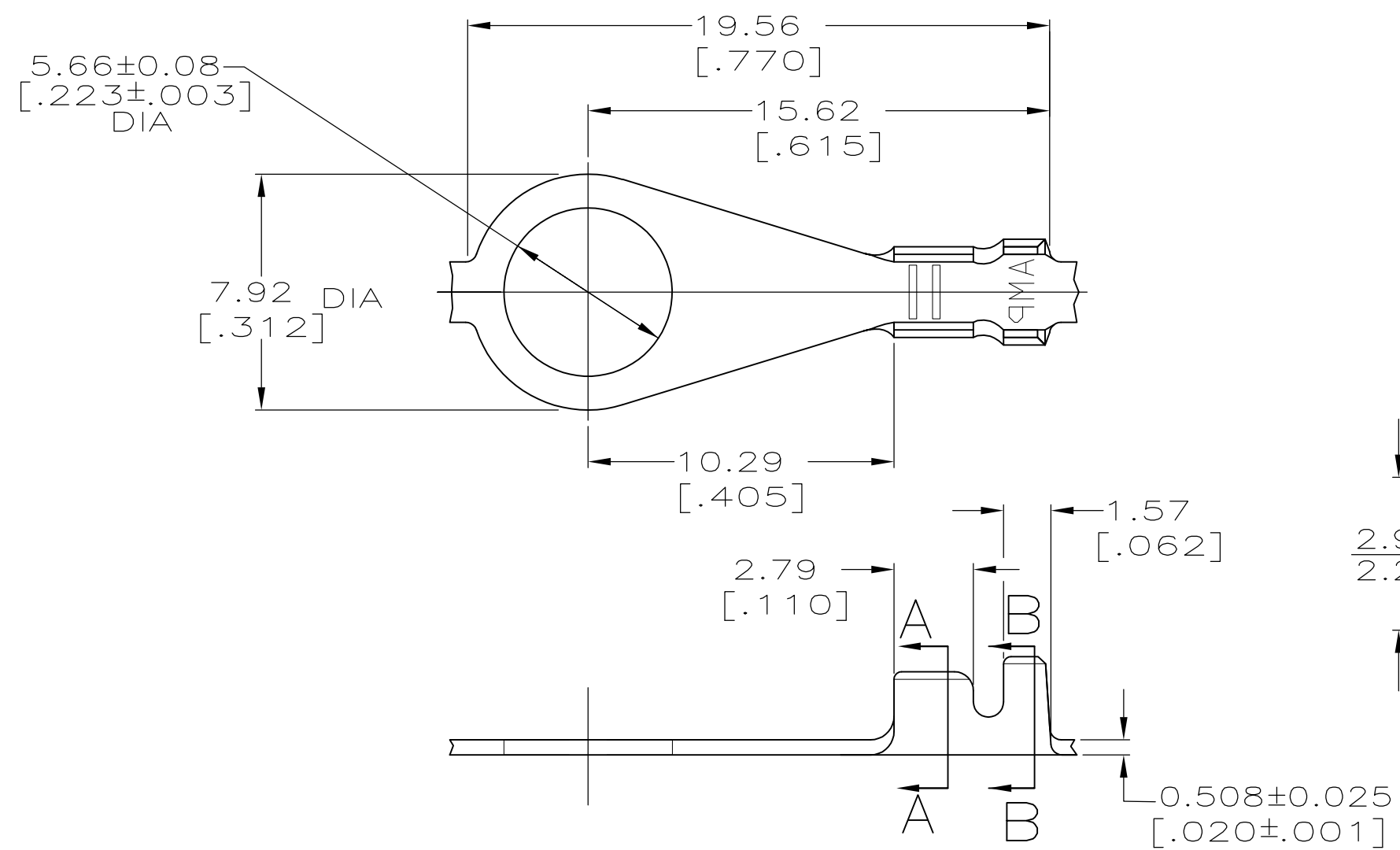
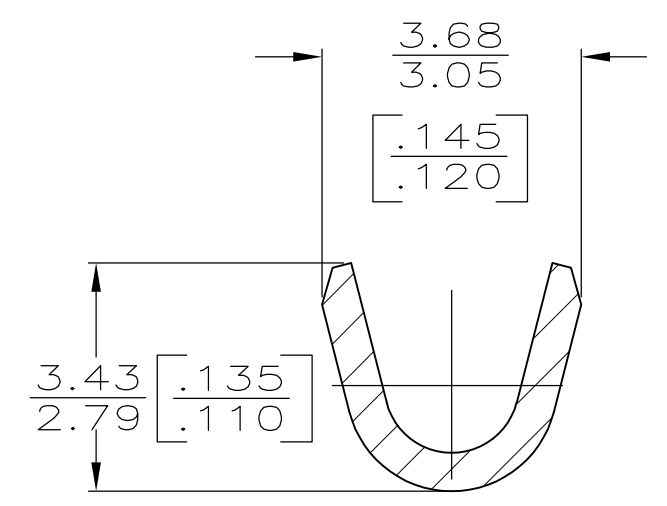
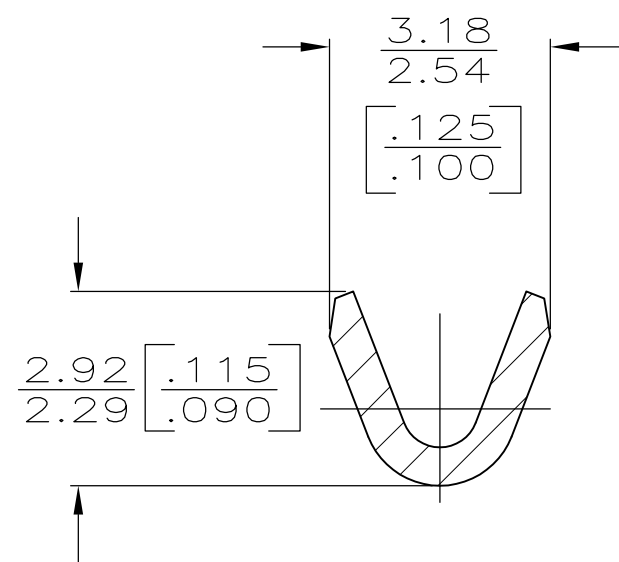


THIS DRAWING IS UNPUBLISHED. RELEASED FOR PUBLICATION
 © COPYRIGHT - By - ALL RIGHTS RESERVED.

REVISIONS				
P	LTR	DESCRIPTION	DATE	APVD
	B2	REVISED PER ECR-16-013146	19SEP2016	BW DC



1. CONTINUOUS STRIP ON REEL.



1.22-1.98 DIA [.048-.078]	0.2 - 0.6mm ² [24-20] AWG	63721-1
INSULATION RANGE	WIRE RANGE	PART NO

0	.090	2.29	4.32	F	2.03	1.40 [.055]	0.6mm ² [20]
F	.100	[.090]	[.170]		[.080]	1.35 [.053]	0.3mm ² [22]
						1.27 [.050]	0.2mm ² [24]
TYPE	WIDTH	STRIP LENGTH ±0.38 [±.015]	TYPE	WIDTH	±0.051 [±.002] HEIGHT	WIRE	
INSUL BARREL CRIMP			WIRE BARREL CRIMP				

THIS DRAWING IS A CONTROLLED DOCUMENT.

DIMENSIONS: mm [INCHES]

TOLERANCES UNLESS OTHERWISE SPECIFIED:

0 PLC ± -
 1 PLC ± -
 2 PLC ± 0.25 [.010]
 3 PLC ± -
 4 PLC ± -
 ANGLES ± -

MATERIAL #2 HARD BRASS

FINISH TIN

DWN P FORTNEY 8/3/93	 TE Connectivity	NAME		
CHK JR RUTH 8/3/93		RING		
APVD G YETTER 8/3/93		PRODUCT SPEC		
APPLICATION SPEC	SIZE	CAGE CODE	DRAWING NO	RESTRICTED TO
WEIGHT 0.000000	A3	00779	C-63721	-
CUSTOMER DRAWING	SCALE 5:1	SHEET 1 OF 1	REV B2	

Mouser Electronics

Authorized Distributor

Click to View Pricing, Inventory, Delivery & Lifecycle Information:

[TE Connectivity:](#)

[63721-1](#) [63721-1 \(Loose Piece\)](#)