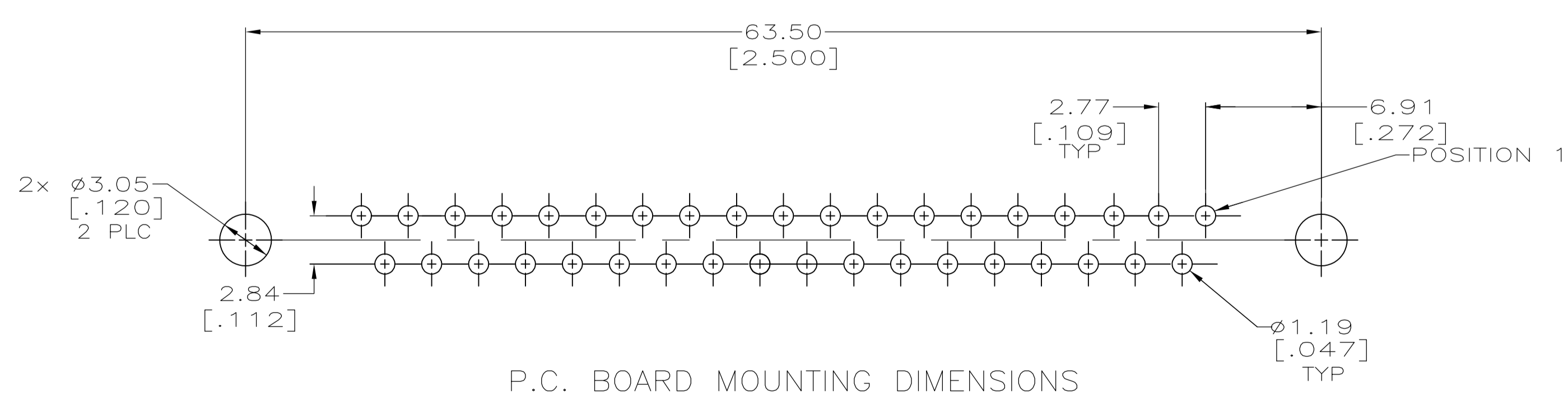
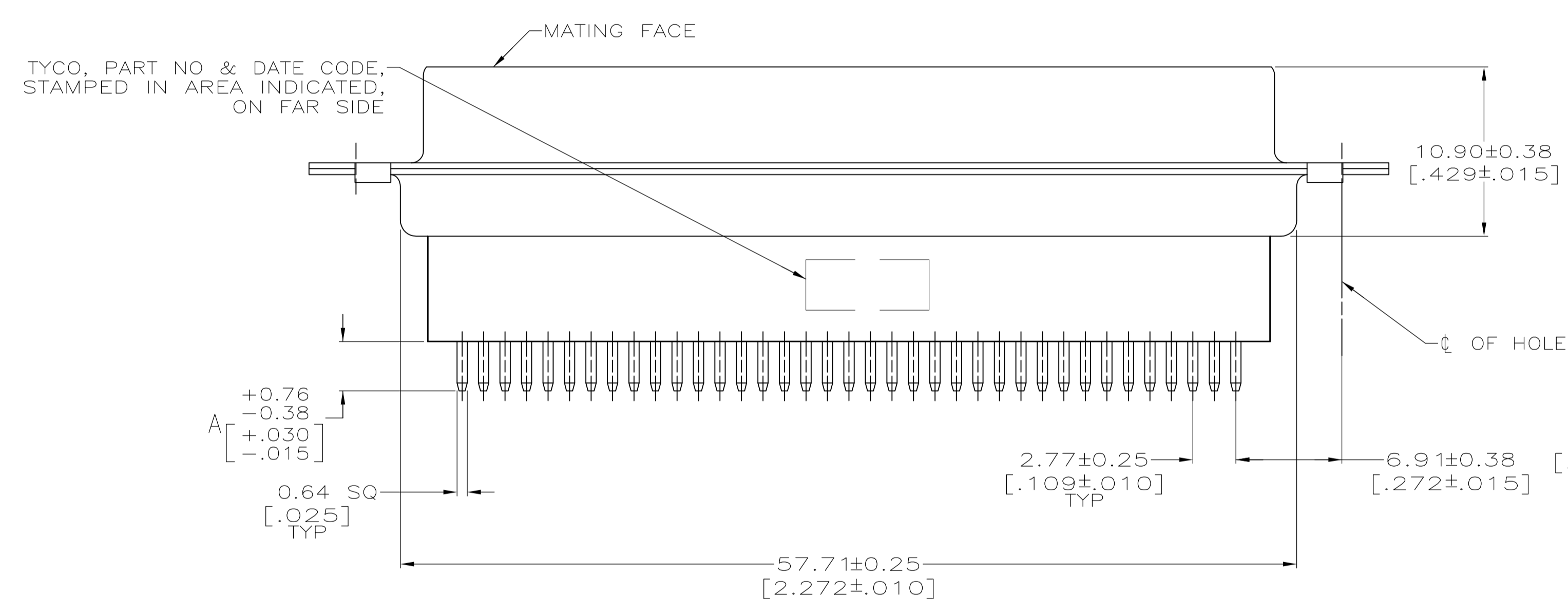
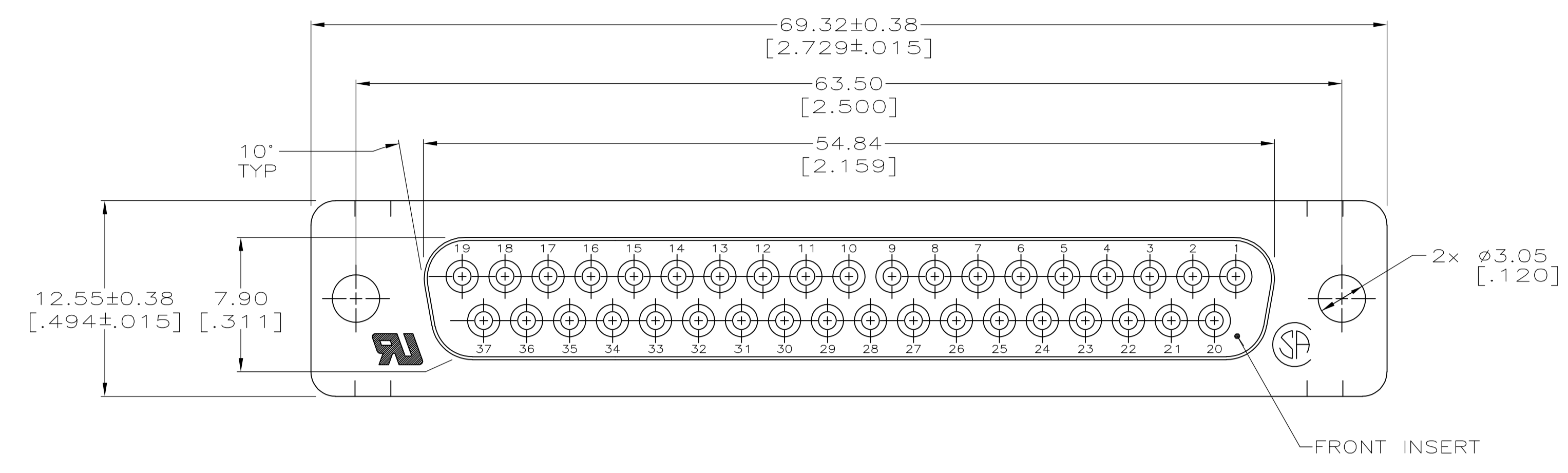


⚠ INSERTS: FLAME RETARDANT 94V-0 RATED THERMOPLASTIC; BLACK.
 SHELLS: CARBON STEEL.
 CONTACTS: PHOS BRONZE.

⚠ SHELLS: 5.08μm[.000200] MIN TIN OVER 2.54μm[.000100] MIN COPPER.
 CONTACTS: 0.76μm [.000030] MIN GOLD ON MATING SOLDER END, 2.54μm [.000100] MIN TIN ON SOLDER END, 1.27μm[.000050] MIN NICKEL
 -OR-
 GOLD FLASH OVER PALLADIUM-NICKEL 0.76μm [.000030] MIN TOTAL ON MATING END, 2.54μm [.000100] MIN TIN ON SOLDER END, 1.27μm [.000050] MIN NICKEL.



4.78 [.188]	5745189-7
3.18 [.125]	5745189-1
DIM A	PART NUMBER

THIS DRAWING IS A CONTROLLED DOCUMENT.		DIN B. LATTUCA 14SEPT05	Tyco Electronics Corporation Harrisburg, PA 17105-3608	
DIMENSIONS: INCHES		CHK S. BOLASH 14SEPT05	Tyco Electronics	
TOLERANCES UNLESS OTHERWISE SPECIFIED:		APP'D M. WALMSLEY 14SEPT05	NAME	
0 PLC ± -	1 PLC ± -	RECEPTACLE ASSY, SIZE 4, 37 POS, VERTICAL, AMPLIMITE HDP		
2 PLC ± 0.13 [.005]	3 PLC ± -	PRODUCT SPEC 108-40025		
4 PLC ± -	ANGLES ± -	APPLICATION SPEC 114-40013		
MATERIAL	FINISH	SIZE	CAGE CODE	DRAWING NO
1	2	A1	00779	5745189
CUSTOMER DRAWING		SCALE	NTS	SHEET 1 OF 1

Mouser Electronics

Authorized Distributor

Click to View Pricing, Inventory, Delivery & Lifecycle Information:

[TE Connectivity:](#)

[5745189-1](#)