



**Features:**

- Motor: Brushless DC
- Motor Protection: Impedance Protected
- Bearing Type: Two Ball, Sleeve, or Hydro Dynamic
- Connection: UL 1007 AWG 26, 320mm Wire Leads
- Frame Material: Plastic UL94V-0
- Impeller Material: Plastic UL94V-0
- Operating Temp:
  - Two Ball: -10°C~70°C
  - Sleeve: -10°C~60°C
  - Hydro Dynamic: -10°C~70°C
- Life Expectancy:
  - Two Ball: 70,000 Hours
  - Sleeve: 30,000 Hours
  - Hydro Dynamic: 50,000 Hours



Fan-S Division



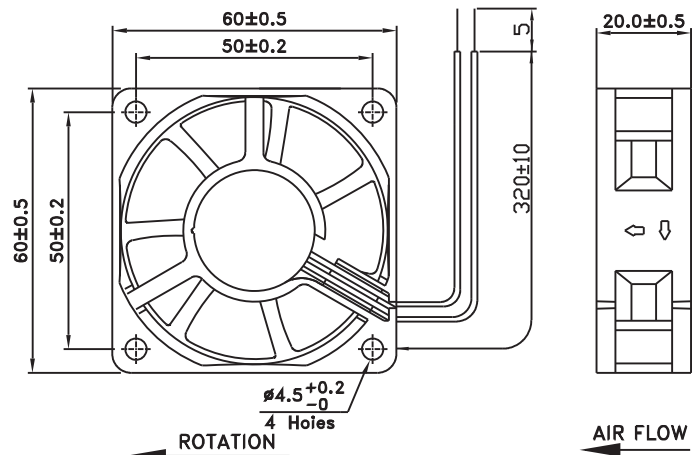
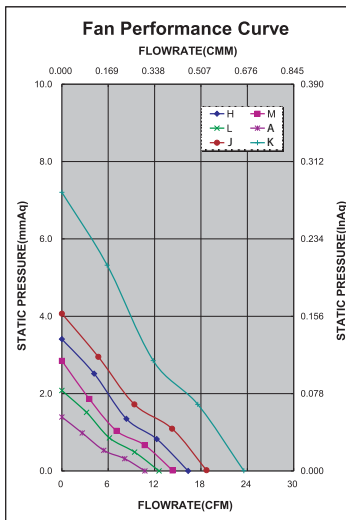
Model No.	Volt.	Current	Power	Rated Speed	Maximum AirFlow		Maximum Static Pressure		Noise Level	Weight
	(VDC)	(A)	(W)	(rpm)	(CMM)	(CFM)	(InAq)	(mmAq)	(dB/A)	(g)
FAD1-06020B * AW11	5	0.07	0.35	3000	0.303	10.741	0.054	1.371	18.4	49.0
FAD1-06020B * LW11	5	0.12	0.60	3500	0.353	12.502	0.082	2.082	23.5	49.0
FAD1-06020B * MW11	5	0.16	0.80	3900	0.404	14.279	0.112	2.844	28.0	49.0
FAD1-06020B * HW11	5	0.18	0.90	4600	0.461	16.459	0.140	3.403	31.0	49.0
FAD1-06020C * AW11	12	0.05	0.60	3000	0.303	10.741	0.054	1.371	18.4	49.0
FAD1-06020C * LW11	12	0.06	0.72	3500	0.353	12.502	0.082	2.082	23.5	49.0
FAD1-06020C * MW11	12	0.08	0.96	3900	0.404	14.279	0.112	2.844	28.0	49.0
FAD1-06020C * HW11	12	0.10	1.44	4600	0.461	16.459	0.140	3.403	31.0	49.0
FAD1-06020C * JW11	12	0.13	1.56	5100	0.529	18.928	0.183	4.064	35.5	49.0
FAD1-06020C * KW11	12	0.20	2.40	6100	0.666	23.554	0.283	7.188	39.0	49.0
FAD1-06020D * MW11	24	0.04	0.96	3900	0.404	14.279	0.112	2.844	28.0	49.0
FAD1-06020D * HW11	24	0.05	1.44	4600	0.461	16.459	0.140	3.403	31.0	49.0

\* Indicates "B" (Ball Bearing), "S" (Sleeve), or "H" (Hydro Dynamic)

Noise is measured at the distance of one (1) meter from the axis of intake.

Note 1: FAD1-06020BBAW11, FAD1-06020BSAW11, FAD1-06020BHAW11, FAD1-06020CBKW11, FAD1-06020CSKW11, FAD1-06020CHKW11 has no approvals.

Note 2: FAD1-06020CHLW11, FAD1-06020DBMW11, FAD1-06020DSMW11 has UL and cUL approvals only



# Mouser Electronics

Authorized Distributor

Click to View Pricing, Inventory, Delivery & Lifecycle Information:

## Qualtek:

[FAD1-06020BBAW11](#) [FAD1-06020BBHW11](#) [FAD1-06020BBLW11](#) [FAD1-06020BBMW11](#) [FAD1-06020BHAW11](#)  
[FAD1-06020BHHW11](#) [FAD1-06020BHLW11](#) [FAD1-06020BHMW11](#) [FAD1-06020BSAW11](#) [FAD1-06020BSHW11](#)  
[FAD1-06020BSLW11](#) [FAD1-06020BSMW11](#) [FAD1-06020CBAW11](#) [FAD1-06020CBHW11](#) [FAD1-06020CBJW11](#)  
[FAD1-06020CBKW11](#) [FAD1-06020CBLW11](#) [FAD1-06020CBMW11](#) [FAD1-06020CHAW11](#) [FAD1-06020CHHW11](#)  
[FAD1-06020CHJW11](#) [FAD1-06020CHKW11](#) [FAD1-06020CHLW11](#) [FAD1-06020CHMW11](#) [FAD1-06020CSAW11](#)  
[FAD1-06020CSHW11](#) [FAD1-06020CSJW11](#) [FAD1-06020CSKW11](#) [FAD1-06020CSLW11](#) [FAD1-06020CSMW11](#)  
[FAD1-06020DBHW11](#) [FAD1-06020DBMW11](#) [FAD1-06020DHHW11](#) [FAD1-06020DHMW11](#) [FAD1-06020DSHW11](#)  
[FAD1-06020DSMW11](#)