

**PLEASE CHECK WWW.MOLEX.COM FOR LATEST PART INFORMATION**

**Part Number:** **0190190003**  
**Status:** **Active**  
**Overview:** Standard Quick-Disconnect Terminals  
**Description:** Avikrimp Quick Disconnect, Female, for 18-22 (0.80-0.35mm<sup>2</sup>) Wire, Mylar Tape, Tab 2.79 x 0.51mm

**Documents:**

[Drawing \(PDF\)](#) [Product Specification PS-19902-015-001 \(PDF\)](#)  
[Product Specification PS-19902-011-001 \(PDF\)](#) [RoHS Certificate of Compliance \(PDF\)](#)  
[Product Specification PS-19902-014-001 \(PDF\)](#)

**Agency Certification**

CSA LR18689  
 UL E79133

**General**

Product Family Quick Disconnects  
 Series 19019  
 Crimp Quality Equipment Yes  
 Insulated Partial  
 Overview Standard Quick-Disconnect Terminals  
 Product Name Avikrimp  
 Type Quick Disconnect  
 UPC 800753037793

**Physical**

Barrel Type Closed  
 Color - Resin Red  
 Flammability 94V-2  
 Gender Female  
 Glow-Wire Capable No  
 Insulation Nylon (PA)  
 Lock to Mating Part None  
 Material - Metal Brass  
 Material - Plating Mating Tin  
 Material - Plating Termination Tin  
 Net Weight 0.549/g  
 Orientation Straight  
 Packaging Type Adhesive Tape on Reel  
 Plating min - Mating 4.064µm  
 Plating min - Termination 4.064µm  
 Polarized to Mating Part No  
 Tab Thickness 0.51mm  
 Tab Width 2.79mm  
 Temperature Range - Operating -65° to +105°C  
 Termination Interface: Style Crimp or Compression  
 Wire Insulation Diameter 2.90mm max.  
 Wire Size AWG 18, 20, 22

**Electrical**

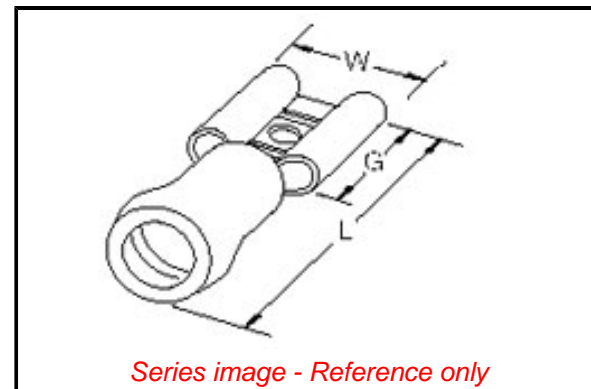
Voltage - Maximum 300V

**Solder Process Data**

Lead-free Process Capability N/A

**Material Info**

Engineering Number AA-8131T



**EU ELV**

**Not Relevant**

**EU RoHS**

**Compliant**

**REACH SVHC**

Not Contained Per  
 -ED/01/2018 (15  
 January 2018)

**Halogen-Free**

**Status**

**Not Low-Halogen**

For more information, please visit [Contact US](#)

China ROHS

ELV

RoHS Phthalates

**China RoHS**

Green Image

Not Relevant

Not Contained

**Search Parts in this Series**

[19019 Series](#)

**Reference - Drawing Numbers**

Product Specification

Sales Drawing

PS-19902-011-001, PS-19902-014-001,

PS-19902-015-001

SD-19019-001

This document was generated on 11/05/2018

**PLEASE CHECK [WWW.MOLEX.COM](http://WWW.MOLEX.COM) FOR LATEST PART INFORMATION**

# Mouser Electronics

Authorized Distributor

Click to View Pricing, Inventory, Delivery & Lifecycle Information:

[Molex:](#)

[19019-0003](#)